

INTRODUCTION

Information contained herein is current at date of publication. As a result of improvements, some numerical values and illustrations contained in this publication may not correspond to the factual specification of the machine supplied to the user. The manufacturer reserves the right to introduce design changes in machines produced that facilitate operation and improve the quality of their work, without making minor amendments to this Operator's Manual.

This Operator's Manual is an integral part of the machine's documentation. Before using the machine, the user must carefully read this Operator's Manual and observe all recommendations. This guarantees safe operation and ensures failure-free work of the machine. The machine is designed to meet obligatory standards, documents and legal regulations currently in force.

The manual describes the basic safety rules and operation of the Pronar VMP-5ST and Pronar VMP-6ST mixer-feeders.

If the information contained in the Operator's Manual needs clarification then the user should refer for assistance to the sale point where the machine was purchased or to the Manufacturer.

MANUFACTURER'S ADDRESS:

*PRONAR Sp. z o.o.
ul. Mickiewicza 101A
17-210 Narew*

CONTACT TELEPHONES

<i>+48 085 681 63 29</i>	<i>+48 085 681 64 29</i>
<i>+48 085 681 63 81</i>	<i>+48 085 681 63 82</i>

SYMBOLS APPEARING IN THIS OPERATOR'S MANUAL

Information, descriptions of danger and precautions and also recommendations and prohibitions associated with user safety instructions are marked:



and also preceded by the word "**DANGER**". Failure to observe the instructions may endanger the machine operator's or other person's health or life.

Particularly important information and instructions, the observance of which is essential, are distinguished in the text by the sign:



and also preceded by the word "**ATTENTION**". Failure to observe the instructions may lead to damage to the machine as a result of improper operation, adjustment or use.

In order to focus the user's attention on the need to perform maintenance, the relevant section of the Operator's Manual is marked with the pictogram:



Additional tips and advice for machine operation are marked with the sign:



and also preceded by the word "**TIP**".

DIRECTIONS USED IN THIS OPERATOR'S MANUAL

Left side – side to the left hand of the operator facing in the direction of machine's forward travel.

Right side – side to the right hand of the operator facing in the direction of machine's forward travel.

REQUIRED MAINTENANCE ACTIONS

Maintenance actions described in the manual are marked with the sign:

Result of maintenance/adjustment actions or comments concerning the performance of actions are marked with the sign:



PRONAR Sp. z o.o.

ul. Mickiewicza 101 A
17-210 Narew, Polska

tel./fax (+48 85) 681 63 29, 681 63 81, 681 63 82,
681 63 84, 681 64 29

fax (+48 85) 681 63 83

http://www.pronar.pl

e-mail: pronar@pronar.pl

EC DECLARATION OF CONFORMITY OF THE MACHINERY

PRONAR Sp. z o.o. declares with full responsibility, that the machine:

Description and identification of the machinery	
Generic denomination and function:	Mixer-Feeder
Type:	VMP-5ST VMP-6ST
Model:	—
Serial number:	
Commercial name:	Mixer-Feeder PRONAR VMP-5ST Mixer-Feeder PRONAR VMP-6ST

to which this declaration relates, fulfills all the relevant provisions of the Directive **2006/42/EC** of The European Parliament and of The Council of 17 May 2006 on machinery, and amending Directive 95/16/EC (Official Journal of the EU, L 157/24 of 09.06.2006).

The person authorized to compile the technical file is the Head of Research and Development Department at PRONAR Sp. z o.o., 17-210 Narew, ul. Mickiewicza 101A, Poland.

This declaration relates exclusively to the machinery in the state in which it was placed on the market, and excludes components which are added and/or operations carried out subsequently by the final user.

Narew, the 2015-03-18

Place and date

Z-CA DYREKTORA
d/s technicznych
członek zarządu

Roman Omelianiuk

*Full name of the empowered person
position, signature*

TABLE OF CONTENTS

1	BASIC INFORMATION	1.1
1.1	IDENTIFICATION	1.2
1.1.1	IDENTIFICATION OF MIXER FEEDER	1.2
1.1.2	AXLE IDENTIFICATION	1.3
1.1.3	LIST OF SERIAL NUMBERS	1.4
1.2	PROPER USE	1.5
1.3	EQUIPMENT	1.7
1.4	WARRANTY TERMS	1.8
1.5	TRANSPORT	1.9
1.5.1	TRANSPORT ON VEHICLE	1.10
1.5.2	INDEPENDENT TRANSPORT BY THE USER	1.11
1.6	ENVIRONMENTAL HAZARDS	1.11
1.7	WITHDRAWAL FROM USE	1.12
2	SAFETY ADVICE	2.1
2.1	BASIC SAFETY RULES	2.2
2.1.1	BASIC SAFETY RULES	2.2
2.1.2	HITCHING AND UNHITCHING FROM TRACTOR	2.3
2.1.3	LOADING THE MIXER FEEDER AND FEED MIXING	2.4
2.1.4	HYDRAULIC SYSTEM	2.5
2.1.5	OPERATING PTO SHAFT.	2.5
2.1.6	CLEANING, MAINTENANCE AND ADJUSTMENT	2.7
2.1.7	SAFE DRIVING	2.11
2.1.8	TYRES	2.12
2.1.9	DESCRIPTION OF RESIDUAL RISK	2.13
2.2	INFORMATION AND WARNING DECALS	2.14

3 DESIGN AND OPERATION	3.1
3.1 TECHNICAL SPECIFICATION	3.2
3.2 DESIGN OF MIXER FEEDER	3.3
3.2.1 CHASSIS	3.3
3.2.2 TANK	3.3
3.2.3 DRIVE TRANSMISSION	3.7
3.2.4 HYDRAULIC SYSTEM OF THE SLIDE GATES	3.7
3.2.5 TRANSMISSION LUBRICATION SYSTEM	3.9
3.2.6 WEIGHING SYSTEM	3.10
4 CORRECT USE	4.1
4.1 PREPARING THE MIXER FEEDER FOR NORMAL USE	4.2
4.1.1 PRELIMINARY INFORMATION	4.2
4.1.2 HAND-OVER AND INSPECTION OF THE MACHINE AFTER DELIVERY	4.2
4.1.3 PREPARING THE MIXER FEEDER FOR THE FIRST USE, TEST RUN OF THE MIXER FEEDER	4.3
4.1.4 PREPARING THE MIXER FEEDER FOR NORMAL USE	4.4
4.2 HITCHING AND UNHITCHING THE MIXER FEEDER	4.5
4.3 FILLING THE TANK AND FEED PREPARATION	4.8
4.4 ANALYSIS OF FEED MIXTURE	4.11
4.5 FEEDING	4.11
4.6 ADJUSTMENT OF COUNTER BLADES	4.13
4.7 CLEANING	4.14
4.8 PROPER USE AND MAINTENANCE OF TYRES	4.14
5 MAINTENANCE	5.1
5.1 PRELIMINARY INFORMATION	5.2
5.2 SERVICING WHEEL AXLE	5.2
5.2.1 PRELIMINARY INFORMATION	5.2

5.2.2	CHECKING WHEEL AXLE BEARINGS FOR SLACKNESS	5.3
5.2.3	ADJUSTMENT OF AXLE BEARING SLACKNESS	5.5
5.2.4	MOUNTING AND DISMOUNTING WHEEL, INSPECTION OF WHEEL NUT TIGHTENING	5.6
5.2.5	CHECKING AIR PRESSURE IN TYRES, EVALUATING TECHNICAL CONDITION OF TYRES AND STEEL WHEELS	5.8
5.3	HYDRAULIC SYSTEM MAINTENANCE	5.9
5.3.1	PRELIMINARY INFORMATION	5.9
5.3.2	CHECKING HYDRAULIC SYSTEM TIGHTNESS	5.10
5.3.3	CHECKING TECHNICAL CONDITION OF HYDRAULIC COUPLERS AND SOCKETS.	5.10
5.3.4	REPLACEMENT OF HYDRAULIC CONDUITS	5.11
5.4	LUBRICATION OF MIXER FEEDER	5.11
5.5	CONSUMABLES	5.14
5.5.1	HYDRAULIC OIL	5.14
5.5.2	LUBRICANTS	5.15
5.6	TRANSMISSION MAINTENANCE	5.16
5.7	DISASSEMBLY AND INSTALLATION OF CUTTING BLADES	5.18
5.8	SHARPENING THE CUTTING BLADES	5.20
5.9	ENTERING THE TANK	5.21
5.10	CLEANING THE MIXER FEEDER	5.23
5.11	STORAGE	5.24
5.12	TIGHTENING TORQUE FOR NUT AND BOLT CONNECTIONS	5.25
5.13	TROUBLESHOOTING	5.26

SECTION

1

BASIC INFORMATION

1.1 IDENTIFICATION

1.1.1 IDENTIFICATION OF MIXER FEEDER

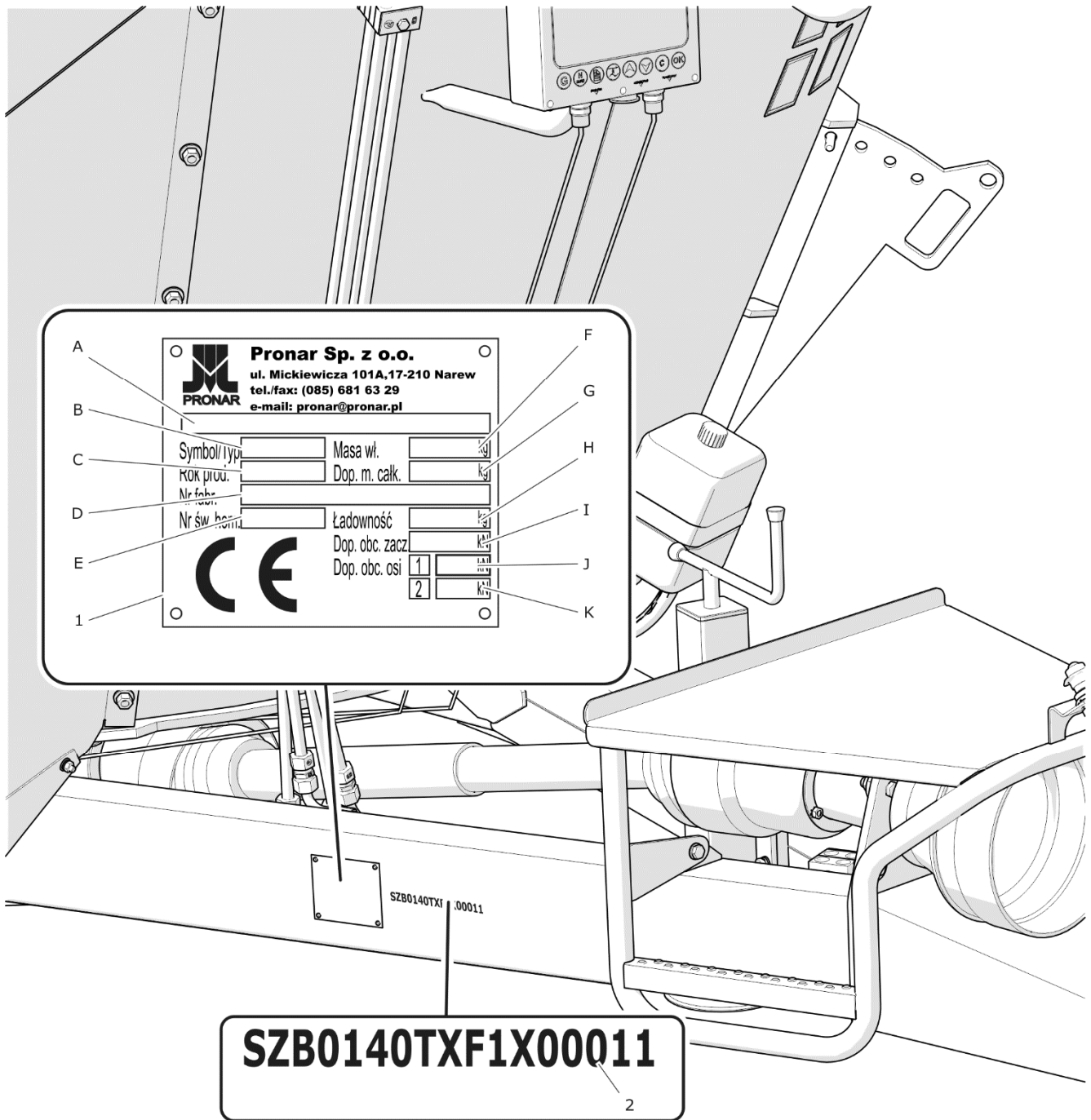


FIGURE 1.1 Location of the data plate and serial number

(1) data plate, (2) example of serial number

Pronar VMP-5ST and VMP-6ST mixer feeders are marked with the data plate (1) and the serial number (2) located on a gold painted rectangle. The serial number and the data plate are located on the right longitudinal member of the frame - figure (1.1). When buying the machine check that the serial numbers on the machine agree with the number written in the *WARRANTY BOOK* and in the sales documents. The meanings of the individual fields found on the data plate are presented in the table below:

TABLE 1.1 Markings on data plate

ITEM	MARKING
A	General description and purpose
B	Symbol /Machine type
C	Year of manufacture
D	Seventeen digit serial number (VIN)
E	Official certificate number (not applicable)
F	Machine tare weight
G	Maximum gross weight
H	Carrying capacity
I	Permissible hitching system loading
J	Permissible front axle load
K	Permissible rear axle load (not applicable)

1.1.2 AXLE IDENTIFICATION

The serial number of the wheel axle and its type are stamped onto the data plate (2) secured to the wheel axle beam (1) – figure (1.2).

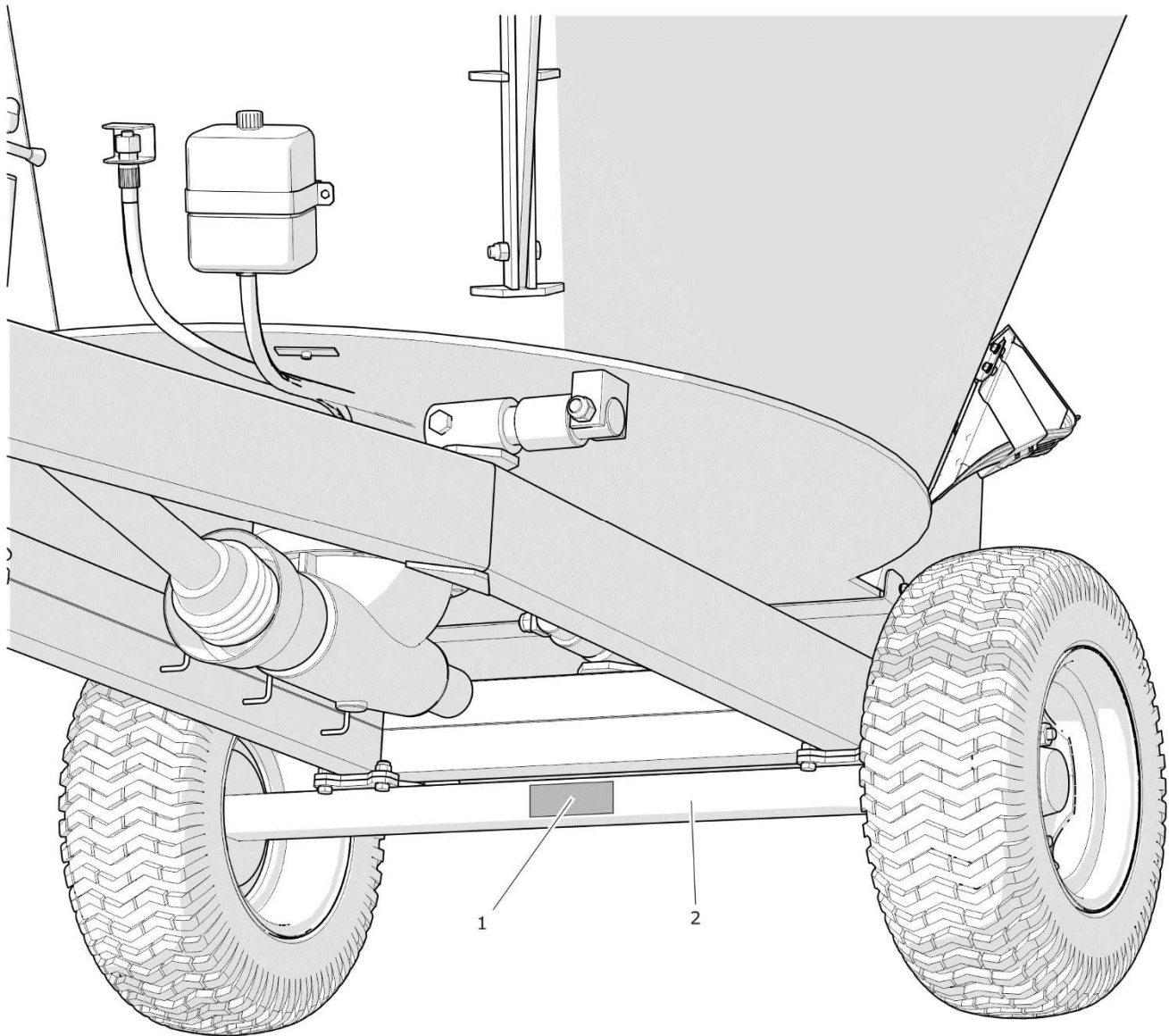


FIGURE 1.2 Location of the axle data plate

(1) data plate, (2) wheel axle,

1.1.3 LIST OF SERIAL NUMBERS

TIP



In the event of ordering a replacement part or in the case of the appearance of problems it is often essential to give the serial number of the mixer feeder or the serial number of the wheel axle, therefore it is recommended that these numbers are inscribed in the table (1.2).

TABLE 1.2 List of serial numbers

VIN														
S	Z	B	0	1	4	0	S	T			X			
AXLE SERIAL NUMBER														

1.2 PROPER USE

VMP-5ST and VMP-6ST mixer feeders are designed specially for modern cattle breeding farms. The machines are designed for preparing feed in the animal feeding systems of TMR type (Total Mixed Ration), PMR type (Partially Mixed Ration) or similar systems. Feed ingredients are batched to the mixer feeder tank where they are disintegrated and thoroughly mixed. Preparation of nutritive fodder depends on numerous factors. That is why the nutrients should be selected in a proper manner with the assistance of a fodder specialist who can specify some feed recipes.

DANGER

The mixer feeder must not be used for purposes other than those for which it is intended, in particular:



- for transporting people and animals,
- for mixing and transporting toxic and flammable materials,
- for preparing or storing food for people,
- for spreading fluids, sand or fibrous substances,
- for transporting bulk materials, single objects or any materials and substances outside the scope of intended use of the mixer feeder.

The mixer feeders are designed for preparing feed mixtures consisting of all kinds of bulky feeds (silage, hay, straw, plant flour), nutritive fodder, powder and granulate feed products made by food industry, feed preparations increasing productivity of dairy cows, vitamin preparations and mineral preparations.

The maximum allowable speed of the mixer feeders is 15 km/h (the maximum design speed). These machines are not allowed on public roads.

Using it as intended also involves all actions connected with the safe and proper operation and maintenance of the machine. Due to the above, the user is obliged to:

- carefully read the *OPERATOR'S MANUAL* of the mixer feeder, *WARRANTY BOOK*, the Operator's Manual of PTO shaft, the Operator's Manual of tractor and conform with the recommendations contained in these documents,
- understand the mixer feeder's operating principle and how to operate it safely and correctly,
- adhere to the established maintenance and adjustment plans,
- comply with general safety regulations while working,
- prevent accidents,
- comply with the road traffic regulations in force in a given country, in which the mixer feeder is used,
- only hitch the mixer feeder to an agricultural tractor which fulfils all the requirements specified by the mixer feeder's Manufacturer.

The machine may only be used by persons, who:

- are familiar with the contents of this publication and with the contents of the agricultural tractor Operator's Manual,
- have been trained in mixer feeder service and safe operation,
- have the required driving licence.

TABLE 1.3 Requirements for agricultural tractor

CONTENTS	UNIT	REQUIREMENTS
Hydraulic system		
Hydraulic oil	-	L HL 32 Lotos
Pressure rating of the system	MPa	16
Oil demand:	l	5
Electrical system of the scales		
Electrical system voltage	V	12
Connection socket	-	3 pin

CONTENTS	UNIT	REQUIREMENTS
Tractor hitches		
Minimum lifting capacity of the hitching system		
VMP-5ST	kg	845
VMP-6ST	kg	990
Other requirements		
Minimum tractor power demand		
VMP-5ST	kW / hp	40.4 / 55
VMP-6ST	kW / hp	44.1 / 60
PTO speed	RPM	540

**ATTENTION**

Use of other oil is permitted on condition that it may be mixed with the oil used in the mixer feeder. Detailed information can be found on the product information card.

**TIP**

Information on gear oils is provided in section 5.

1.3 EQUIPMENT

TABLE 1.4 Equipment of mixer feeder

EQUIPMENT	VMP-5ST	VMP-6ST
OPERATOR'S MANUAL	S	S
WARRANTY BOOK	S	S

EQUIPMENT	VMP-5ST	VMP-6ST
Rotating drawbar eye Ø50	S	S
Hydraulic system of the slide gates	S	S
PTO shaft 8 106 056 CE R07 001	S	S
Wheel chocks	S	S
Auger mixer – VMP-5ST version	S	-
Auger mixer – VMP-6ST version	-	S
Counter blade lever	D	D
Weighing system	S	S
Movable protective ring	S	S
Warning reflective triangle	D	D

S- standard equipment, A – additional equipment, O – optional equipment

Information on tyres is provided at the end of this publication in *ANNEX A*.

1.4 WARRANTY TERMS

PRONAR Sp. z o.o., Narew guarantees the reliable operation of the machine when it is used according to its intended purpose as described in the *OPERATOR'S MANUAL*. The repair period is specified in the *WARRANTY BOOK*.

The warranty does not cover those parts and sub-assemblies of the machine which are subject to wear in normal usage conditions, regardless of the warranty period. Consumables include the following parts/sub-assemblies:

- drawbar hitching eye,
- tyres,
- seals,

- bearings,
- cutting blades.

The warranty service only applies to such cases as: mechanical damage which is not the user's fault, factory defects of parts, etc.

In the event of damage arising from:

- mechanical damage which is the user's fault, road accidents,
- incorrect use, adjustment or maintenance, use of the mixer feeder for purposes other than those for which it is intended,
- use of damaged machine,
- repairs carried out by unauthorised persons, repairs carried out improperly,
- making unauthorised alterations to machine design,

the user will lose the right to warranty service.



TIP

Demand that the seller carefully and precisely fills out the *WARRANTY BOOK* and warranty repair coupons. A missing date of purchase or sale point stamp may make the user ineligible for any warranty repair or refund.

The user is obliged to report immediately on noticing any wear in the paint coating or traces of corrosion, and to have the faults rectified whether they are covered by the warranty or not. For detailed Terms & Conditions of Warranty, please refer to the *WARRANTY BOOK* attached to each newly purchased machine.

Modifications of the machine without the written consent of the Manufacturer are prohibited. In particular, do NOT weld, drill holes in, cut or heat the main structural elements of the machine, which have a direct impact on the machine operation safety.

1.5 TRANSPORT

The mixer feeder is ready for sale completely assembled and does not require packing. Packing is only required for the machine's technical documentation and any extra equipment. The machine is delivered to the user on a transport vehicle.

1.5.1 TRANSPORT ON VEHICLE

Loading and unloading of mixer feeder from vehicle shall be conducted using loading ramp with the aid of agricultural tractor, overhead crane or hoisting crane. During work, adhere to the general principles of occupational health and safety (OHS) applicable to reloading work. Persons operating reloading equipment must have the qualifications required to operate these machines.

Lifting equipment used for transporting the mixer feeder must be attached only to the fixed structural elements of the machine. These elements are, first of all: frame, drawbar and axle.



ATTENTION

Do not secure or attach the mixer feeder by drawbar eye, tank, auger and other structural elements that are not sufficiently strong to withstand operations of this type.

The mixer feeder should be attached firmly to the platform of the transport vehicle using straps, chains, stays or other securing measures fitted with a tightening mechanism. In order to attach the machine in a proper manner, fasten axles, frame longitudinal members and possibly drawbar. Additionally, support the drawbar with a wooden block of such a height that the mixer feeder frame is positioned parallel to the load platform. Chocks, wooden blocks or other objects without sharp edges should be placed under the wheels of the mixer feeder to prevent it from rolling. Wheel blocks must be nailed to the vehicle load platform planks or secured in another manner preventing their movement.

Use certified and technically reliable securing measures. Worn straps, cracked securing catches, bent or corroded hooks as well as elements damaged in a different way may be unsuitable for use. Carefully read the information stated in the Operator's Manual for the given securing measure. The number of securing elements (cables, straps, chains and stays etc.) and the force necessary for their tensioning depend on such factors as the machine weight, the carrying vehicle design, speed of travel and other conditions. For this reason it is impossible to define the securing plan precisely.

A correctly secured machine does not change its position with regard to the transporting vehicle. The securing elements must be selected according to the guidelines of the Manufacturer of these elements. In case of doubt apply a greater number of securing straps

in order to immobilise the machine. If necessary, cover the sharp edges of the mixer feeder in order to protect the securing straps from breaking during transport.



DANGER

Incorrect use of securing measures may cause an accident.

During reloading work, particular care should be taken not to damage parts of the machine's equipment or the paint coating. The tare weight of the mixer feeder is given in table (3.1).



ATTENTION

When being road transported on a motor vehicle, the mixer feeder must be secured on the vehicle's platform in accordance with the transport safety requirements and regulations.

Driver of the vehicle should be particularly careful during travel. This is due to the vehicle's centre of gravity shifting upwards when loaded with the machine.

Use only certified and technically reliable securing measures. Carefully read the information contained in the Operator's Manuals for the given securing measures.

1.5.2 INDEPENDENT TRANSPORT BY THE USER

It is not allowed to transport the mixer feeder by towing it with a tractor on public roads.

1.6 ENVIRONMENTAL HAZARDS

A hydraulic or gear oil leak constitutes a direct threat to the natural environment owing to its limited biodegradability. The negligible solubility of hydraulic oil in water does not cause extreme toxicity of organisms living in the aquatic environment. The formation of a film of oil on the water may be the direct cause of physical action on organism, perhaps causing change of oxygen values in the water because of lack of direct contact of air with the water. An oil leak into water reservoirs may however lead to a reduction of the oxygen content.

**DANGER**

Used hydraulic or gear oil or gathered remains mixed with absorbent material should be stored in a precisely marked container. Do not use food packaging for this purpose.

While carrying out maintenance and repair work, which involves the risk of an oil leak, this work should take place on an oil resistant floor or surface. In the event of oil leaking into the environment, first of all contain the source of the leak, and then collect the leaked oil using available means. Remaining oil should be collected using sorbents, or by mixing the oil with sand, sawdust or other absorbent materials. The oil pollution, once gathered up, should be kept in a sealed, marked, hydrocarbon resistant container. The container should be kept away from heat sources, flammable materials and food.

**TIP**

The hydraulic system of the mixer feeder is filled with L-HL 32 Lotos hydraulic oil. Please refer to Section 5 for information on transmission oil used.

Used oil or oil unsuitable for further use due to loss of its properties should be stored in its original packaging in the conditions described above. Waste oil should be taken to the appropriate facility dealing with the re-use of this type of waste. Waste code (L-HL 32 Lotos hydraulic oil): 13 01 10. Detailed information concerning hydraulic oil may be found on the product's Material Safety Data Sheet.

**ATTENTION**

Waste oil should only be taken to the appropriate facility dealing with the re-use of this type of waste. Do NOT throw or pour oil into sewerage or water tanks.

1.7 WITHDRAWAL FROM USE

In the event of decision by the user to withdraw the mixer feeder from use, comply with the regulations in force in the given country concerning withdrawal from use and recycling of machines withdrawn from use. Before proceeding to dismantle equipment oil shall be completely removed from hydraulic system and gearbox.

**DANGER**

During dismantling, use the appropriate tools, equipment (overhead travelling crane, crane or hoist etc.) and use personal protection equipment, i.e. protective clothing, footwear, gloves and eye protection etc.

Avoid contact of skin with oil. Do not allow used hydraulic oil to spill.

Worn out or damaged parts that cannot be reclaimed should be taken to a collection point for recyclable raw materials. Hydraulic and gear oil should be taken to the appropriate facility dealing with the recycling of this type of waste.

SECTION

2

SAFETY ADVICE

2.1 BASIC SAFETY RULES

2.1.1 BASIC SAFETY RULES

- Before using the mixer feeder, the user must carefully read this Operator's Manual and the Operator's Manual of the PTO shaft. During use all the recommendations laid down in this Operator's Manual should be observed. Do NOT start the mixer feeder without knowledge of its function.
- The user is obliged to acquaint himself with the construction, action and the principles of safe usage of the machine.
- Before using the mixer feeder always check the machine, whether it is properly prepared for work, especially in terms of safety.
- If the information contained in the Operator's Manual is difficult to understand, contact a seller, who runs an authorised technical service on behalf of the manufacturer, or contact the manufacturer directly.
- Careless and incorrect use and operation of the mixer feeder and also non-observance of the recommendations contained in this Operator's Manual, endanger health and life third persons and/or machine operator.
- Be aware of the residual risk. Use caution when operating the mixer feeder and apply all relevant safety principles.
- The machine must never be used by persons who are not authorised to drive the agricultural tractors and not trained in the safety principles and use of the machine, including children and people under the influence of alcohol.
- Do NOT use the mixer feeder for purposes other than those for which it is intended. Anyone who uses the machine in any other way than the way intended takes full responsibility for any consequences of this use. Use of the machine for purposes other than those for which it is intended by the Manufacturer may invalidate the warranty.
- Use close fitting protective clothing.
- Any modification to the mixer feeder frees the manufacturer from any responsibility for damage or detriment to health which may arise as a result.

- Before using the machine always check its technical condition, and in particular: technical condition of the drawbar, hydraulic system, safety guards and air pressure in tyres.
- The user is obliged to acquaint himself with the principles of safe operation, adjustment methods and inspection points of the mixer feeder and with the risks resulting from operation and maintenance of the machine.
- People, animal or objects must not be carried on the machine.
- The mixer feeder may be operated only by one person at a time.

2.1.2 HITCHING AND UNHITCHING FROM TRACTOR

- Be especially careful when hitching and unhitching the machine.
- Only hitch the mixer feeder to an agricultural tractor equipped with side mirrors, which provide visibility on both sides of the machine.
- While hitching the mixer feeder to the tractor, use the appropriate hitch (the lower transport hitch). After completed hitching of the machines check that the hitch is properly secured. Carefully read the tractor Operator's Manual. If the tractor is equipped with an automatic hitch, make certain that the coupling operation is completed.
- When hitching, there must be nobody between the mixer feeder and the tractor.
- Do NOT hitch the mixer feeder to agricultural tractor, if the tractor does not meet the requirements specified by the Manufacturer (minimum tractor power demand, wrong connections etc.) – compare table (1.3) *AGRICULTURAL TRACTOR'S REQUIREMENTS*. Before hitching the machine, make certain that oil in the external hydraulic system of tractor may be mixed with the hydraulic oil in the machine's hydraulic system.
- When connecting the hydraulic conduits to the tractor, make sure that the hydraulic systems of the tractor and mixer feeder are not under pressure. If necessary, reduce residual pressure in the system.
- Before hitching the mixer feeder, check that both machines are in good technical condition. In particular, check the hitching system and hydraulic system connectors and sockets on the tractor and mixer feeder.

- The machine unhitched from the tractor must be positioned on a level ground, supported by the parking stand and secured against rolling using wheel chocks. Terminals of hydraulic and electrical conduits should be protected against contamination.

2.1.3 LOADING THE MIXER FEEDER AND FEED MIXING

- Before loading the mixer feeder, ensure proper visibility of the mixer feeder and the danger zone. Make certain that there are no bystanders in the loading zone near the machine and that there are no obstacles preventing proper machine operation. There must be sufficient space to ensure efficient loading of bales into the mixer feeder tank.
- The bales to be loaded must not contain remains of wrapping twine, net or film.
- Make certain that the slide gates are completely closed.
- Do NOT exceed the mixer feeder's maximum carrying capacity.
- Do NOT remove feed clogging during auger operation. In order to remove clogging, stop the mixer feeder drive, stop the engine and remove key from ignition.
- During loading the mixer feeder, the drawbar eye and the tractor hitch are subjected to great vertical loads.
- During loading, nobody may be on the platform or near the tank. Operator may enter the platform when the feed charge is preliminarily disintegrated and mixed.
- During PTO shaft operation, nobody may be at the place located above the top edge of the wall extensions.
- During loading, the mixer feeder's drawbar may be raised under temporary load. That is why, take special care to ensure that the mixer feeder's drawbar eye is properly hitched and secured.
- Protect your eyes against dust when being on the platform during auger mixer operation.
- During auger mixer operation (during mixing and disintegrating), do NOT put your hands or legs or objects into the tank.

- Maintain constant auger rotation speed while mixing the feed.
- Do not exceed the maximum rotational speed of drive shaft.
- During manual loading, do NOT stand on a silo or hay stack located above the mixer feeder tank edge.

2.1.4 HYDRAULIC SYSTEM

- The hydraulic system is under high pressure when the mixer feeder is working.
- Regularly check the technical condition of the hydraulic connections and conduits. There must not be any leaks of hydraulic oil.
- In the event of the hydraulic system malfunction, discontinue using the mixer feeder until the malfunction is corrected.
- Before proceeding to maintenance-repair work, make certain that the hydraulic system is not under pressure.
- Rubber hydraulic conduits must be replaced every 4 years regardless of their technical condition.
- Use the hydraulic oil recommended by the Manufacturer.
- After changing the hydraulic oil, the used oil should be properly disposed of. Used oil or oil which has lost its properties should be stored in original containers or replacement containers resistant to action of hydrocarbons. Replacement containers must be clearly marked and appropriately stored.
- Do not store hydraulic oil in packaging designed for storing food or foodstuffs.

2.1.5 OPERATING PTO SHAFT.

- The user should thoroughly acquaint himself with the PTO shaft Operator's Manual and adhere to the recommendations contained in it.
- The machine may only be connected to the tractor by appropriately selected PTO shaft. Use PTO shaft recommended by the Manufacturer.
- The drive shaft must be equipped with guards. Do NOT use the shaft with damaged or missing guards. Before starting the machine, always ensure that all

the safety guards are in good condition and in place. Damaged or incomplete sub-assemblies must be exchanged for original new ones.

- After connecting shaft ensure that it is correctly and safely connected to the tractor and to the machine.
- Do NOT wear loose clothing, straps or whatever that may become wrapped round the rotating drive shaft. Contact with rotating PTO shaft may cause severe injuries.
- Before connecting or disconnecting the shaft, turn off the tractor engine and remove the key from the ignition. Immobilise the tractor with parking brake.
- When working in limited visibility conditions, use the tractor's working lights to illuminate the PTO shaft and its vicinity.
- During transport, the shaft must be stored in the horizontal position to avoid damage to safety guards or other protection elements.
- During shaft operation, the telescopic pipes must overlap by at least one third of their length.
- When using the mixer feeder and PTO shaft, do not use PTO shaft rotation speed other than 540 rpm. Do NOT overload the shaft and the mixer feeder and also do NOT engage the clutch suddenly. Before starting PTO, make certain that the PTO rotation direction is correct.
- The chains preventing the shaft cover from turning while the shaft is working should be secured to a fixed element of machine structure.
- Do NOT use the securing chains to support the shaft while the mixer feeder is parked or when transporting the mixer feeder.
- Do NOT go over and under the shaft or stand on it equally during work as also when the machine is parked.
- The PTO shaft has markings on the casing, indicating, which end of the shaft should be connected to the tractor.
- Never use a damaged PTO shaft, it may cause an accident. A damaged shaft must be repaired or replaced.

- Disconnect the drive shaft each time when it is not necessary to drive the machine, or when the tractor and mixer feeder are at an unsuitable angle to each other.

2.1.6 CLEANING, MAINTENANCE AND ADJUSTMENT

- Maintenance and repair works may be performed after hitching the mixer feeder to the tractor. In such a case, switch off the tractor engine, remove the key from the ignition and immobilise the tractor with parking brake. Ensure that unauthorised persons do not have access to the tractor cab. Protect the machine against rolling by placing blocking chocks under the wheels. Disconnect the PTO shaft from the tractor before entering the mixer feeder tank. When performing works that do not require hitching to tractor, position the mixer feeder on level and hard surface, support it using a parking stand and protect it against rolling by placing chocks under the wheels. Place of work should be dry, clean and well-lighted.
- Regularly check the condition of the bolt and nut connections.
- During the warranty period, any repairs may only be carried out by the Warranty Service authorised by the Manufacturer. After the expiry of the warranty period it is recommended that possible repairs to the machine be performed by specialised workshops.
- During work use the proper, close-fitting protective clothing, gloves, protective goggles and appropriate tools.
- In the event of any fault or damage, do not use the machine until the fault has been corrected.
- Servicing and repair work should be carried out in line with the general principles of workplace health and safety. In the event of injury, the wound must be immediately cleaned and disinfected. In the event of more serious injuries, seek a doctor's advice.
- Service inspections of the mixer feeder should be carried out according to the frequency specified in this Operator's Manual.

- Welding works may be performed only by persons having appropriate authorisations for this type of works.
- Before welding or electrical work, the mixer feeder should be disconnected from the power supply, if the machine is connected to the tractor (disconnect the tractor negative battery cable (-), disconnect connection lead). The paint coating should be cleaned. Burning paint fumes are poisonous for people and animals. Welding work should be carried out in a well lit and well ventilated space.
- In order to reduce the risk of fire, remove the remains of feed accurately from the mixer feeder before welding works. Be especially careful when welding and pay attention to flammable or fusible elements (hydraulic system conduits, electrical system leads and other structural elements made of plastics). If there is a risk that they will catch fire or be damaged, they should be removed or covered with non-flammable material before commencing welding work. Before beginning work, prepare a CO₂ or foam extinguisher.
- In the event of work requiring the mixer feeder to be raised, use properly certified hydraulic or mechanical lift jacks for this purpose. After lifting the machine, stable and durable supports must also be used. Do NOT carry out work under a machine, which has only been raised with the lift jack.
- The machine must not be supported using fragile elements (bricks or concrete blocks).
- After completing work associated with lubrication, remove excess oil or grease. The machine should be kept clean and tidy.
- The user must not repair by himself the hydraulic cylinders. In the event of damage to these elements, repair should be entrusted to authorised service point or elements should be replaced with new ones.
- Do NOT make repairs to drawbar eye (straightening, repairing or welding). Damaged drawbar eye should be replaced.
- Do NOT install additional appliances or fittings not according to the specifications defined by the Manufacturer.
- The mixer feeder may only be towed when the axle system is reliable.

- Regularly check technical condition and mounting of all guards and protective elements.
- Should it be necessary to change individual parts, use only original parts or those indicated by the Manufacturer. Non-adherence to these requirements may put the user and other people's health and life at risk, and also damage the machine.
- In the event of injuries being caused by pressurised hydraulic oil, contact a doctor immediately. Hydraulic oil may penetrate the skin and cause infections. In the event of contact of oil with eyes, rinse eyes with a large quantity of water and in the event of the occurrence of irritation consult a doctor. In the event of contact of oil with skin wash the area of contact with water and soap. Do NOT apply organic solvents (petrol, kerosene).
- After completed work, make sure that no tools are left inside the mixer feeder tank.
- Regularly check the condition of the bolt and nut connections.
- The machine may only be stood on when it is absolutely motionless and the tractor engine is switched off. During the mixer feeder operation, the operator may climb the mixer feeder's platform only in order to check the process of feed mixing and disintegrating while exercising due caution and paying proper attention.
- The mixer feeder, in particular its tank and auger mixer, should be kept clean.
- The adjustment of the side disintegrating blades may be performed only when the auger mixer is not rotating.
- Before entering the tank, turn off the tractor's engine, remove the key from the ignition, immobilise the tractor with parking brake, secure the tractor against unauthorised access, dismantle PTO shaft, open the side or rear slide gate and disconnect the hydraulic system conduits from the tractor. Exercise particular caution when entering the tank.
- While entering the tank, the mixer feeder must be absolutely motionless. Use two sufficiently high ladders to enter the tank. Do NOT use the platform and chute for this purpose.

- Since the cutting blades are very sharp, exercise due caution when mounting, dismounting or adjusting the blades or when being inside the tank.
- Remove the remains of feed from the mixer feeder each time after finished work.
- There is a risk of propagation of microorganisms and diseases in the environment if the mixer feeder is used in several farms. This risk can be minimised by careful cleaning of the machine.
- The mixer feeder that has been used for mixing contaminated feed must be disinfected according to the recommendations of sanitary authorities.
- Clean the machine thoroughly if it has not been used for more than three days.
- The development of bacterial flora is a normal phenomenon that is more intense when using feed preparations for making feed mixtures. Therefore, the cleanliness of the mixer feeder is the prerequisite for keeping the animals healthy.

2.1.7 SAFE DRIVING

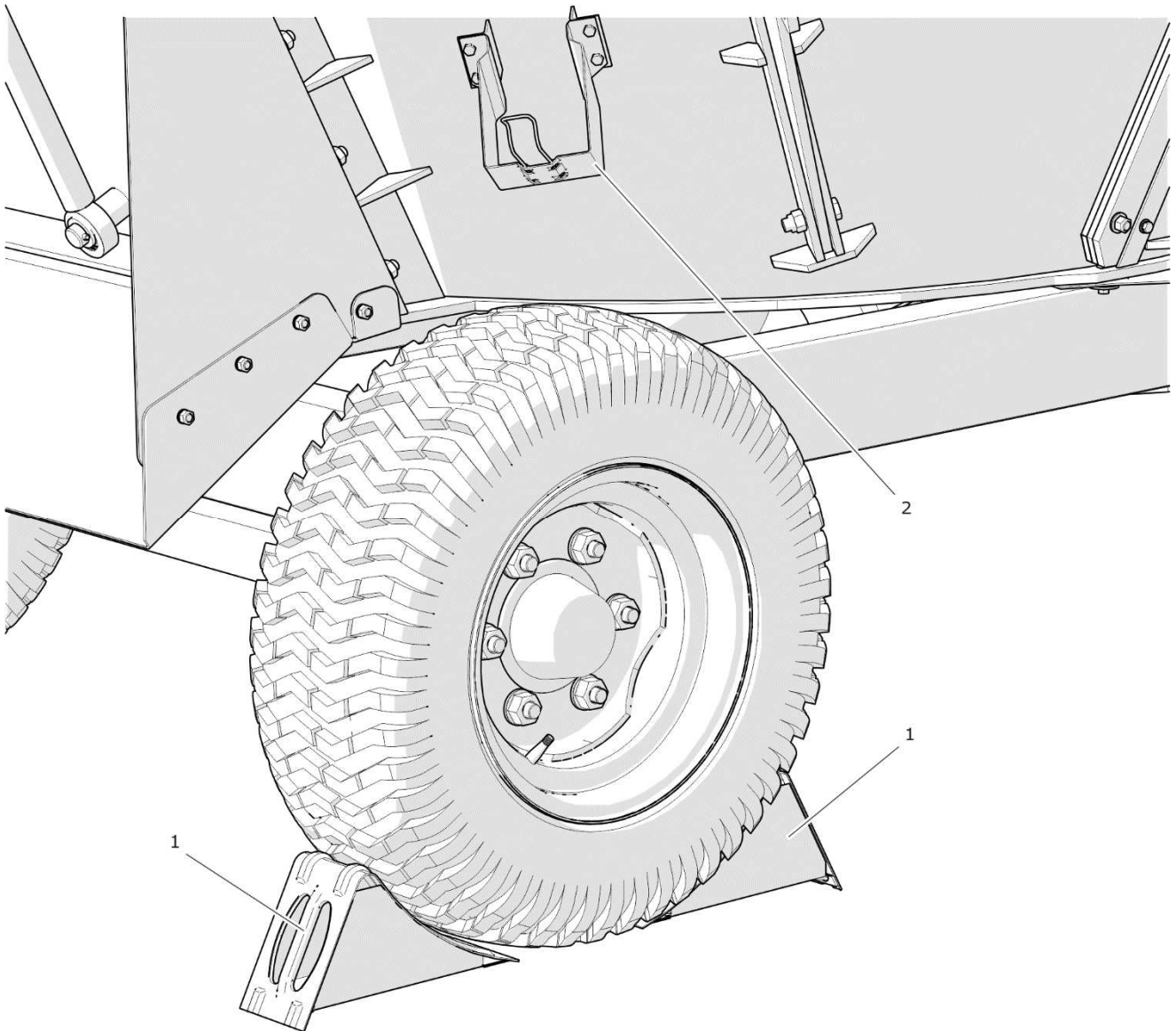


FIGURE 2.1 Method of placing chocks

(1) chock, (2) chock bracket

- Driving on public roads is forbidden. The mixer feeder may be used only at the farm and possibly on non-public access roads.
- During transport adjust travel speed to the prevailing road conditions. If possible avoid travelling on uneven terrain and unexpected turning.
- Do NOT exceed permissible travel speed. Excessive speed may cause loss of control over the tractor-mixer feeder combination and damage to mixer feeder

and/or tractor and may limit braking efficiency of the tractor-mixer feeder combination.

- Before moving check that the mixer feeder is correctly hitched to the tractor (in particular check security of hitching pin).
- Vertical load borne by the mixer feeder's drawbar eye affects the steering of the agricultural tractor.
- The machine must NOT be left unsecured. The mixer feeder unhitched from the tractor must be secured against rolling away by means of parking brake and wheel chocks placed under the wheel - figure (2.1). The wheel chocks should be placed under one axle, in front and behind the wheel.
- Do NOT climb the mixer feeder while travelling.
- Do NOT park the mixer feeder on a slope.

2.1.8 TYRES

- When working with tyres, the mixer feeder should be secured against rolling by placing chocks under the wheels. Wheels can be taken off the machine axle only when the machine is not loaded.
- Repair work on the wheels or tyres should be carried out by persons trained and entitled to do so. This work should be carried out using appropriate tools.
- Inspect tightness of nuts after the first use of the mixer feeder, after the first day of work under load and then every 6 months of use. The inspection should be repeated individually if a mixer feeder wheel has been removed from the wheel axle.
- Avoid potholes, sudden manoeuvres or high speeds when turning.
- Check the tyre pressure regularly. Air pressure in tyres should be also checked during the whole day of intensive work. Please note that higher temperatures could raise tyre pressure by as much as 1 bar. At high temperatures and pressure, reduce load or speed. Do not release air from warm tyres to adjust the pressure or the tyres will be underinflated when temperatures return to normal.
- Protect tyre valves using suitable caps to avoid soiling.

2.1.9 DESCRIPTION OF RESIDUAL RISK

Pronar Sp. z o. o. in Narew has made every effort to eliminate the risk of accidents. There is, however, a certain residual risk, which could lead to an accident, and this is connected mainly with the actions described below:

- using the mixer feeder for purposes other than those described in the Operator's Manual,
- being between the tractor and the machine while the engine is running and when the machine is being hitched,
- being on the machine while the engine is running,
- using unreliable PTO shaft,
- operating the mixer feeder with the safety guards removed or faulty,
- not maintaining a safe distance while the mixer feeder is in operation,
- operation of the mixer feeder by unauthorised persons or persons under the influence of alcohol
- cleaning, maintenance and technical inspection of the mixer feeder.
- work of machine on unstable and sloping surface.

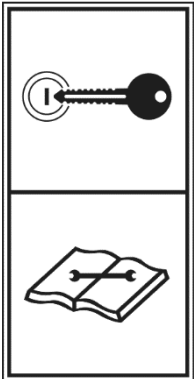

The residual risk may be kept to a minimum by following the recommendations below:

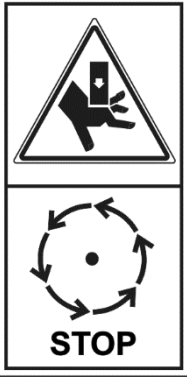



- operate the machine in prudent and unhurried manner,
- adhere to the remarks and recommendations contained in the Operator's Manual of the mixer feeder and the Operator's Manual of PTO shaft,
- maintain a safe distance from the danger zones,
- a ban on being on the machine when it is operating, except the places specially designed for this purpose,
- carry out repair and maintenance work in line with operating safety rules,
- use close fitting protective clothing,
- ensure unauthorised persons have no access to the machine, especially children.

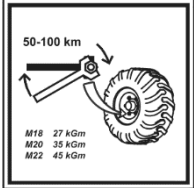


2.2 INFORMATION AND WARNING DECALS

The mixer feeder is marked with information and warning decals referred to in table (2.1). The symbols are positioned as presented in figures (2.2) and (2.3). Throughout the time the machine is in use, the user of the machine is obliged to ensure that notices and warning and information symbols located on the mixer feeder are clear and legible. In the event of their destruction, they must be replaced with new ones. Safety decals are available from your PRONAR dealer or directly from PRONAR customer service. New assemblies, changed during repair, must be labelled once again with the appropriate safety signs. While cleaning the mixer feeder, do not use solvents which may damage the coating of information labels and do not subject them to strong water jets.

TABLE 2.1 Information and warning decals

ITEM	SAFETY SYMBOL	DESCRIPTION
1		<p>Before servicing activities or repairs, turn off engine and remove key from ignition</p>
2		<p>Caution! Before starting work, carefully read the Operator's Manual</p>

ITEM	SAFETY SYMBOL	DESCRIPTION
3		<p>Danger of crushing hands or fingers. Do NOT touch the machine components until all machine assemblies have come to a standstill.</p>
4		<p>Before climbing the ladder in order to perform maintenance or repair inside the tank, turn off engine and remove key from ignition. Secure tractor against unauthorised access.</p>
5		<p>Rotation direction and maximum speed of PTO shaft.</p>
6	<p>VMP-5ST PRONAR VMP-6ST PRONAR</p>	<p>Machine type</p>
7	<p>390 kPa</p>	<p>Air pressure in the tyres. Pressure value may differ depending on tyre brand.</p>
8		<p>Grease the machine according to the lubrication schedule included in the <i>OPERATOR'S MANUAL</i></p>

ITEM	SAFETY SYMBOL	DESCRIPTION
9		<p>Regularly check if the nuts and bolts fixing the wheels and other components are properly tightened.</p>
10		<p>The maximum design speed of the mixer feeder.</p>
11		<p>Caution! Danger of entrapment of the body parts or the whole body by rotating components of the mixer feeder.</p>

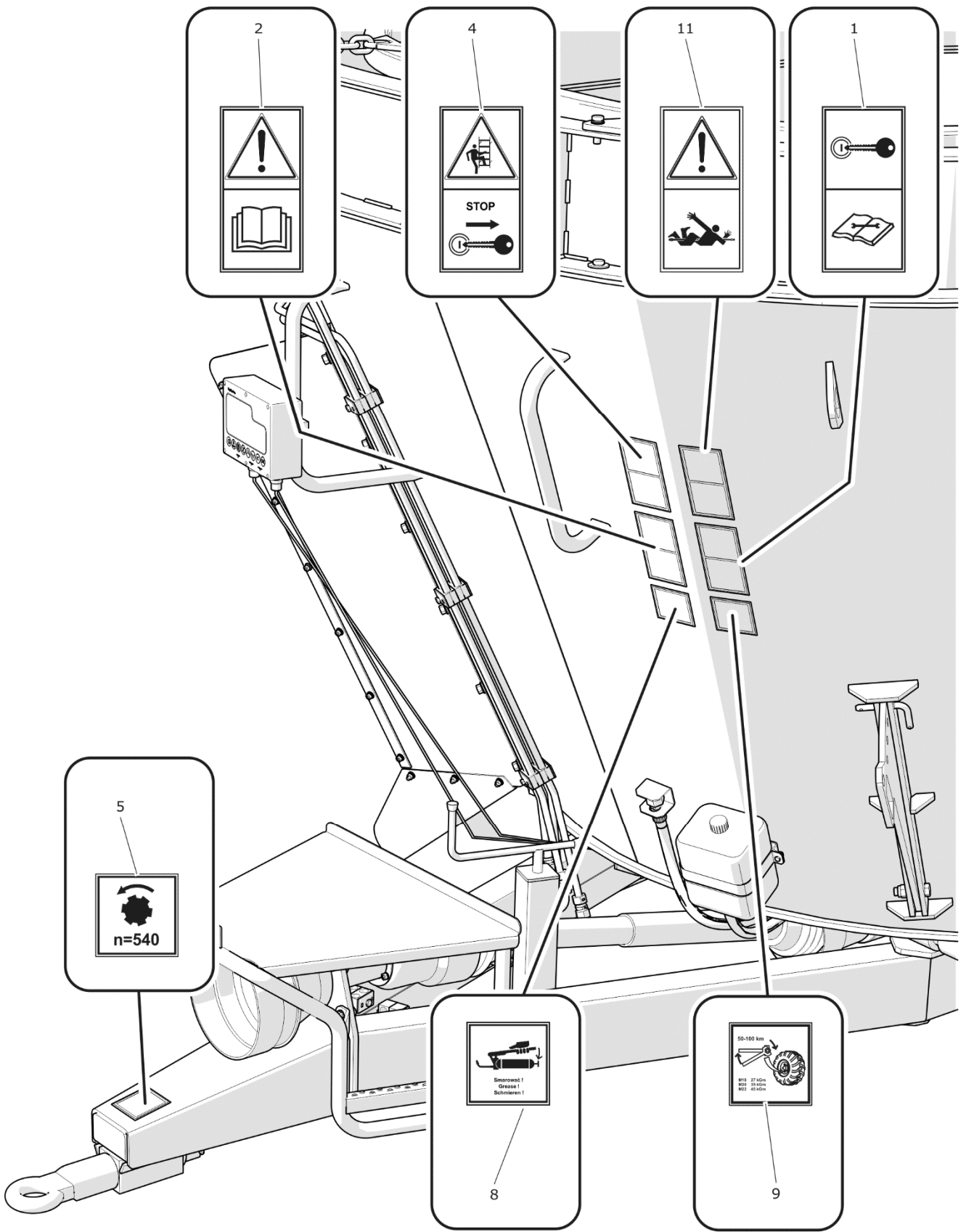


FIGURE 2.2 Locations of information and warning decals

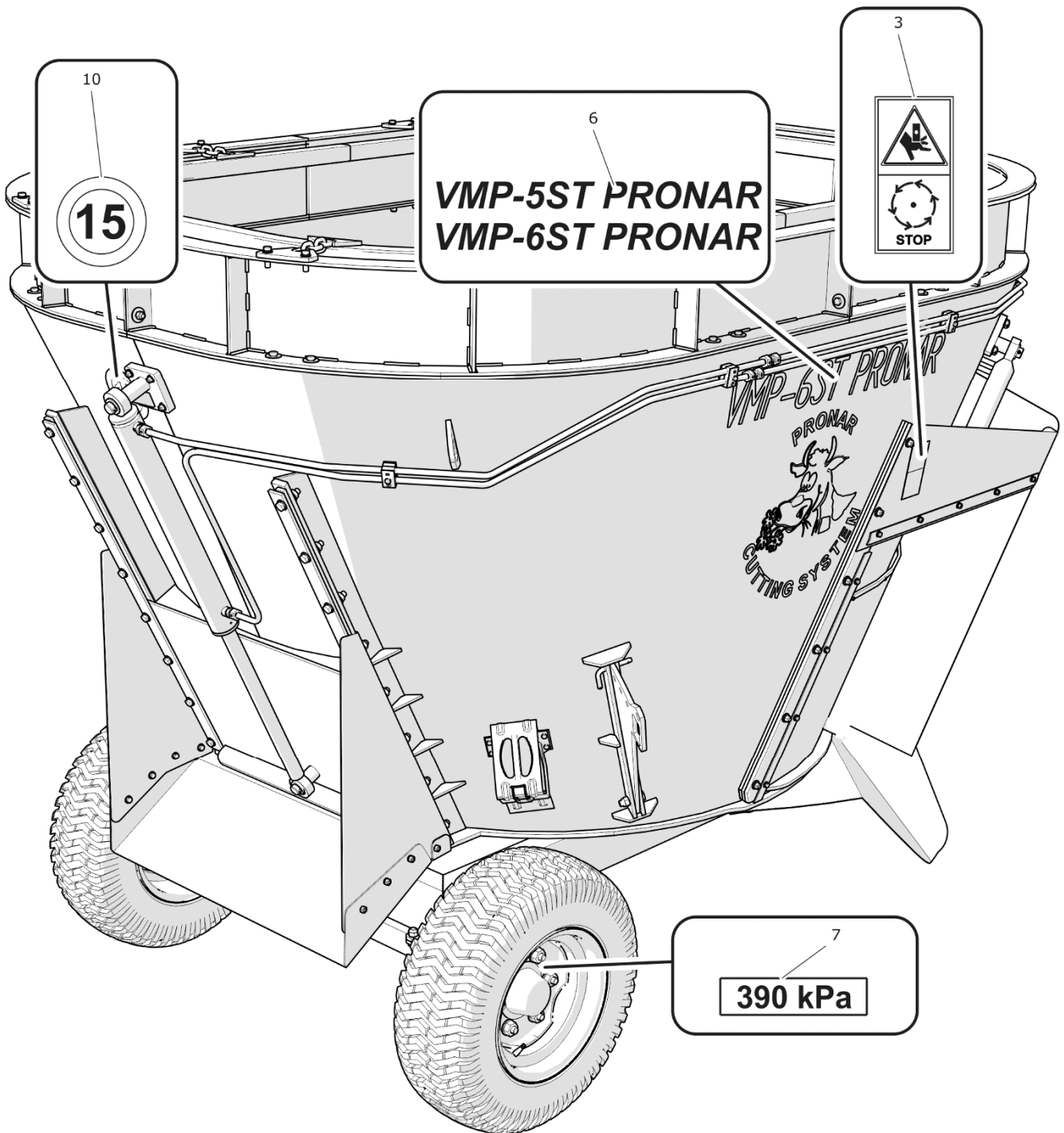


FIGURE 2.3 Locations of information and warning decals

SECTION

3

**DESIGN AND
OPERATION**

3.1 TECHNICAL SPECIFICATION

TABLE 3.1 Basic technical specification

CONTENTS	UNIT	VMP-5ST	VMP-6ST
Dimensions			
Total length	mm	3 880	3 850
Total width	mm	2 190	2 190
Total height	mm	2 130	2 380
Tank dimensions:			
Length	mm	2990	2 990
Width	mm	2190	2 190
Height	mm	1430	1 680
Weight and carrying capacity			
Tare weight	kg	1 900	2 150
Gross weight	kg	3 850	4 500
Carrying capacity	kg	1 950	2 350
Hydraulic system			
Nominal pressure of the system	MPa	16	16
Hydraulic oil	-	L HL32 Lotos	L HL32 Lotos
Other information			
Wheel track	mm	1 500	1 500
Tank capacity	m ³	5	6
Tractor power demand	kW / hp	40.4 / 55	44.1 / 60
Maximum design speed	km/h	15	15
Electrical system voltage	V	12	12
Maximum vertical drawbar load	kg	845	990
Sound power level	dB	below 70	below 70
Height of tank bottom from the ground	mm	695	695
Transmission			
PTO RPM	rpm	540	540
Maximum torque	Nm	1 700	1 700
Auger mixer rotation speed	rpm	33	33

3.2 DESIGN OF MIXER FEEDER

3.2.1 CHASSIS

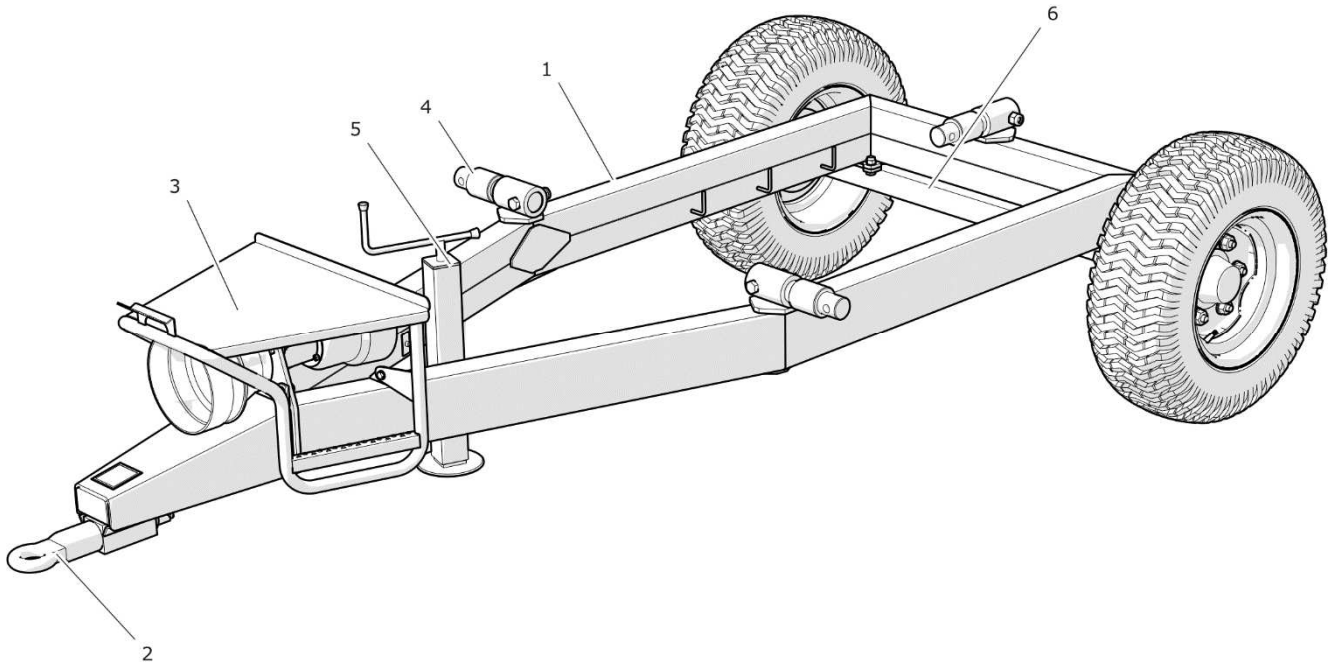


FIGURE 3.1 Chassis

(1) lower frame, (2) drawbar hitching eye, (3) platform, (4) scales load cell, (5) support, (6) wheel axle

The mixer feeder chassis consists of the subassemblies indicated in figure (3.1). Lower frame (1) is a structure welded from steel sections. The main load-bearing elements are two longitudinal members. The sockets for mounting the scales load cells (4) and the tank are welded in the central part of the frame. Drawbar hitching eye, platform (3) and mixer feeder support (5) are located in the front section of the frame. The platform is equipped with holders for fixing the hydraulic conduit plugs when the mixer feeder is not used. In the rear part of the lower frame, there is a wheel axle (6) made from a square bar ended with pins on which wheel hubs are mounted on cone bearings.

3.2.2 TANK

The design of the mixer feeder tank is shown in figure (3.2). The tank is mounted on the chassis frame using tensometric sensors (scales load cells) – compare figure (3.1).

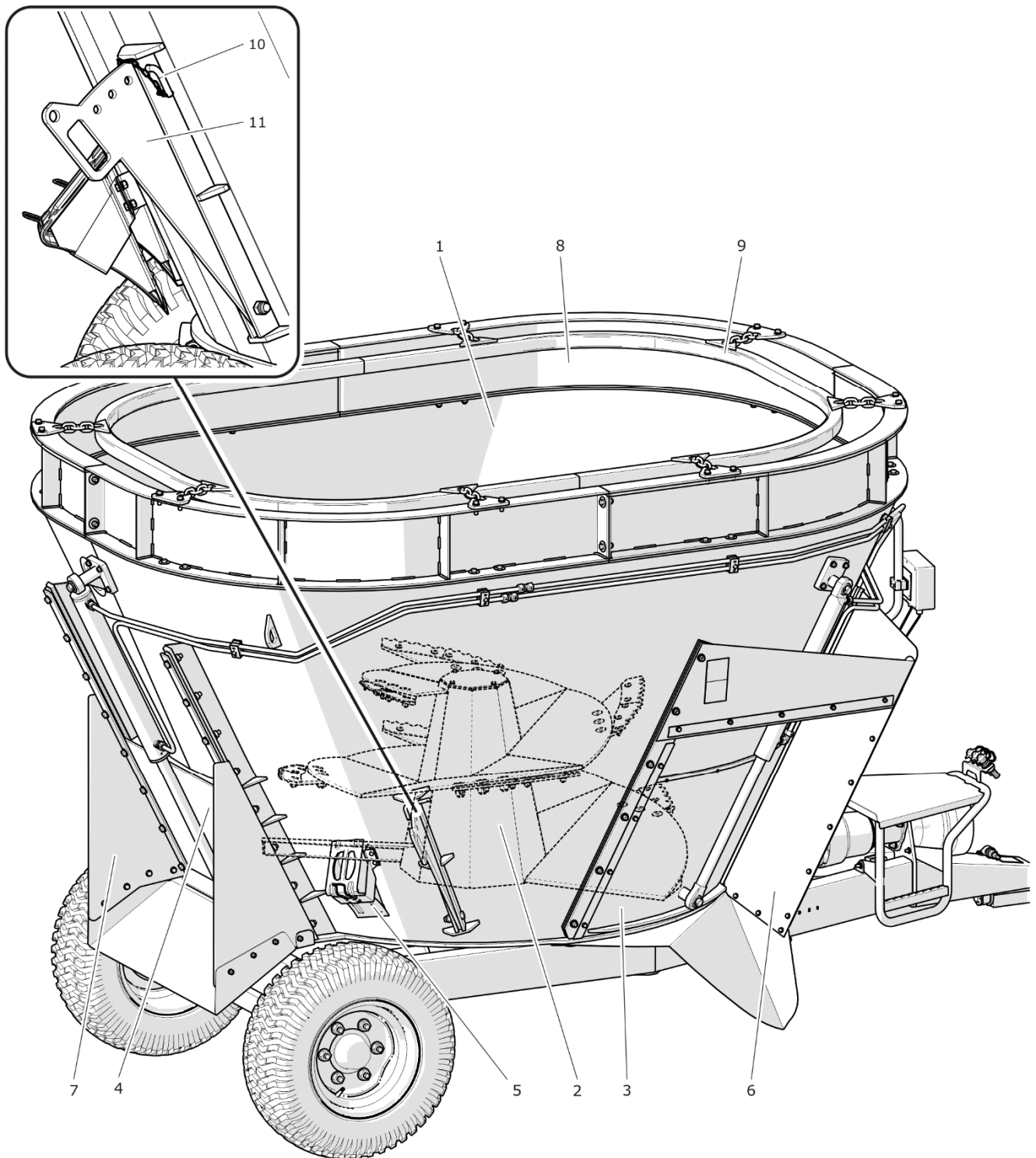


FIGURE 3.2 Mixer feeder tank

(1) tank, (2) auger mixer, (3) front dispensing window – right, (4) rear dispensing window, (5) wedge, (6) set of front shields, right, (7) set of rear shields, (8) 250 mm wall extension (VMP-6ST), (9) movable ring, (10) pin with cotter pin, (11) disintegrating knife

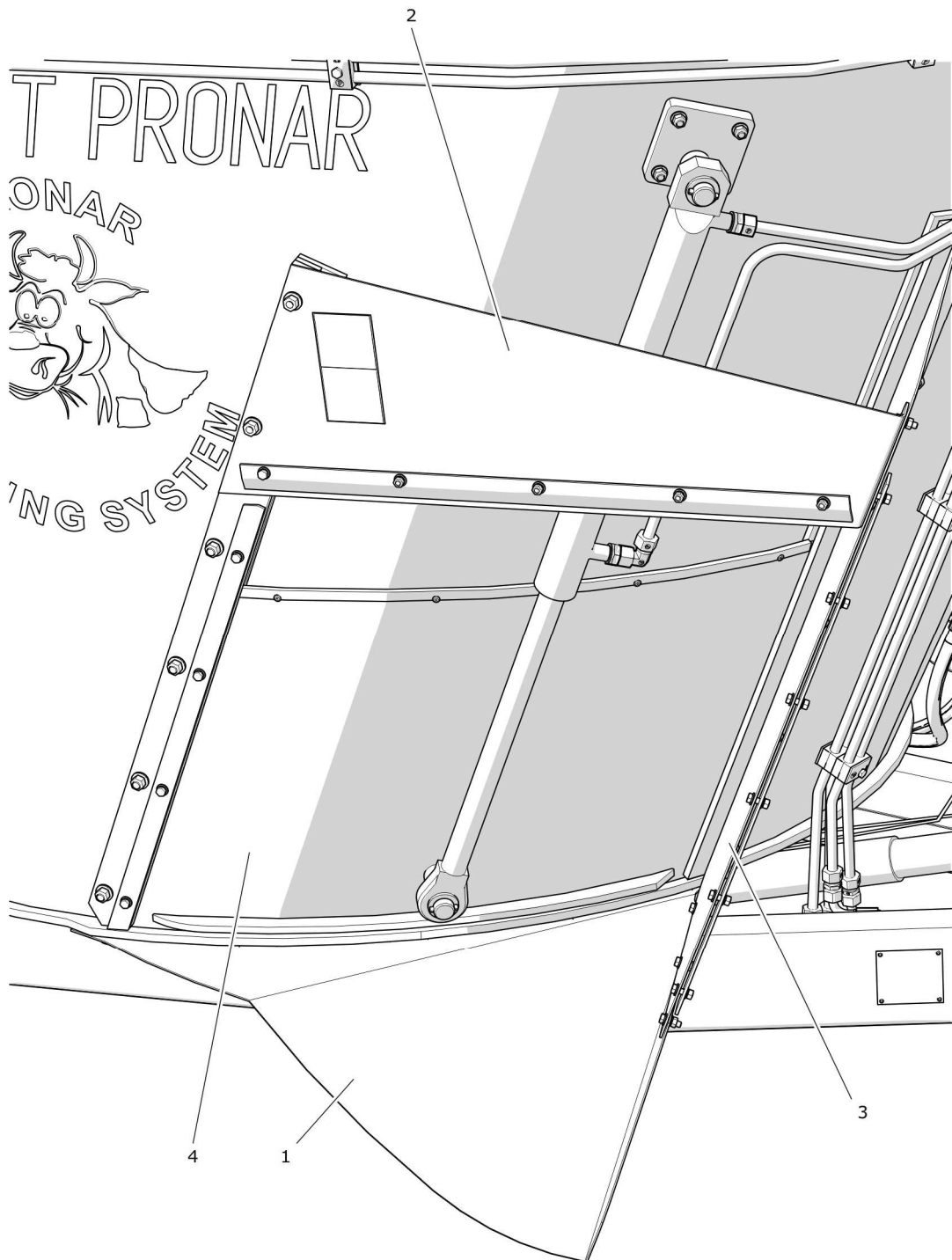


FIGURE 3.3 Front dispensing window - right

(1) chute – lower shield, (2) upper shield, (3) front shield, (4) slide gate

Chock handles (5) – figure (3.2), transmission lubricating oil tank and bleed conduit are attached to the tank wall. The dispensing windows closed with slide gates are located in the front, right section of the tank and centrally at the rear. The front, right window is located asymmetrically with regard to the machine plane. The slide gates are controlled

independently by the hydraulic system. The drive transmission, to which the auger mixer (2) is bolted, is mounted in the lower section of the tank. Movable ring (9) is attached to the tank top edge (VMP-5ST) or to the wall extension (8) (VMP-6ST) in order to prevent spillage of mixed feed to the outside of the tank. Counter blades (11), used in the feed preparation process, are installed on the opposite sides of the tank. The counter blades are blocked using pins (10).

The dispensing windows are equipped with a set of shields and a chute for dispensing feed – see figures (3.3) and (3.4).

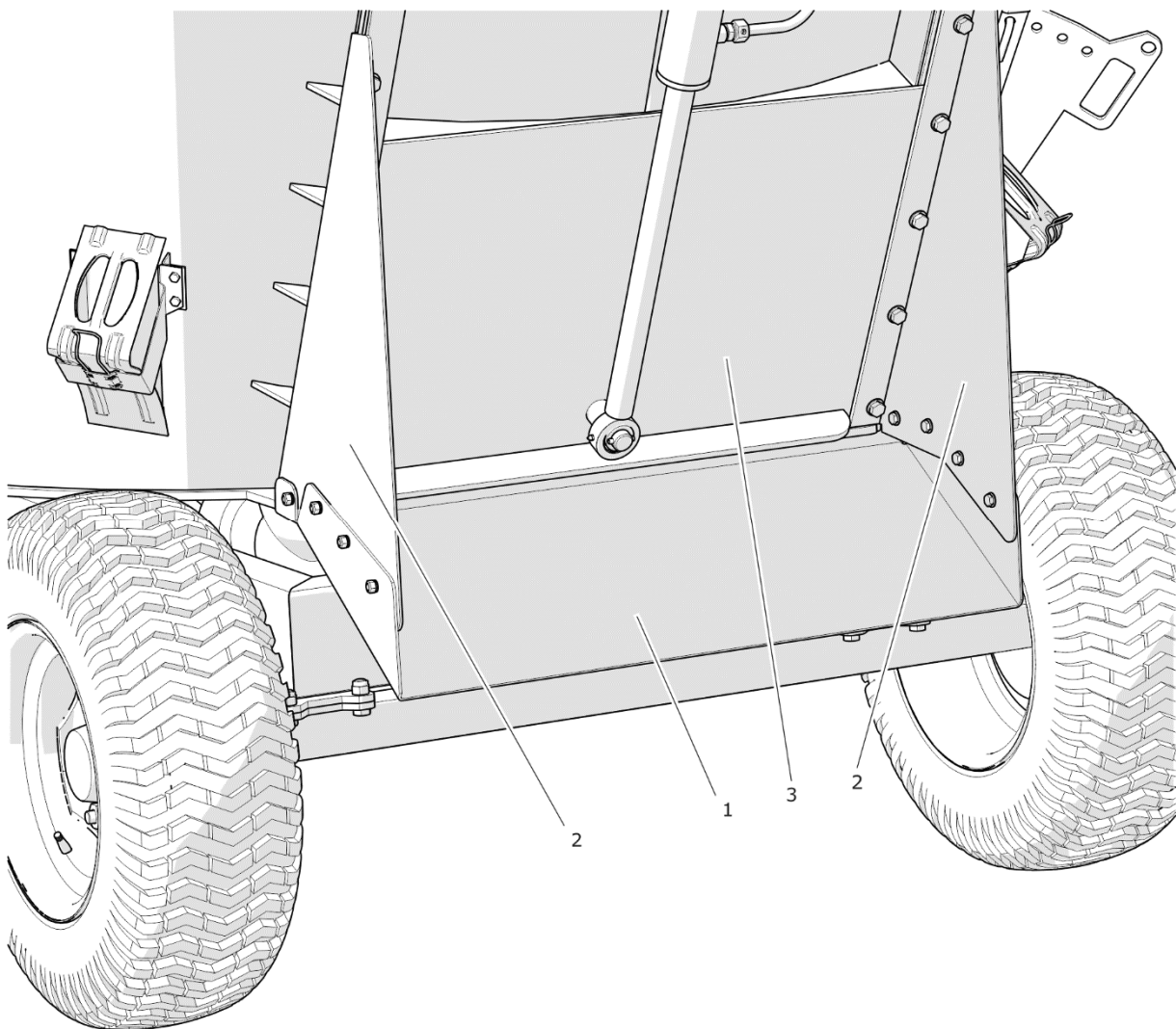


FIGURE 3.4 **Dispensing window - rear**

(1) chute – lower shield, (2) side shields, (3) slide gate

3.2.3 DRIVE TRANSMISSION

The power driving the auger mixer is transmitted from the tractor through the PTO shaft (6) connecting the mixer feeder with the tractor and the intermediate shaft (2) with friction overload clutch to the reduction planetary gear (1). The auger mixer (3) is mounted on the gear output shaft.

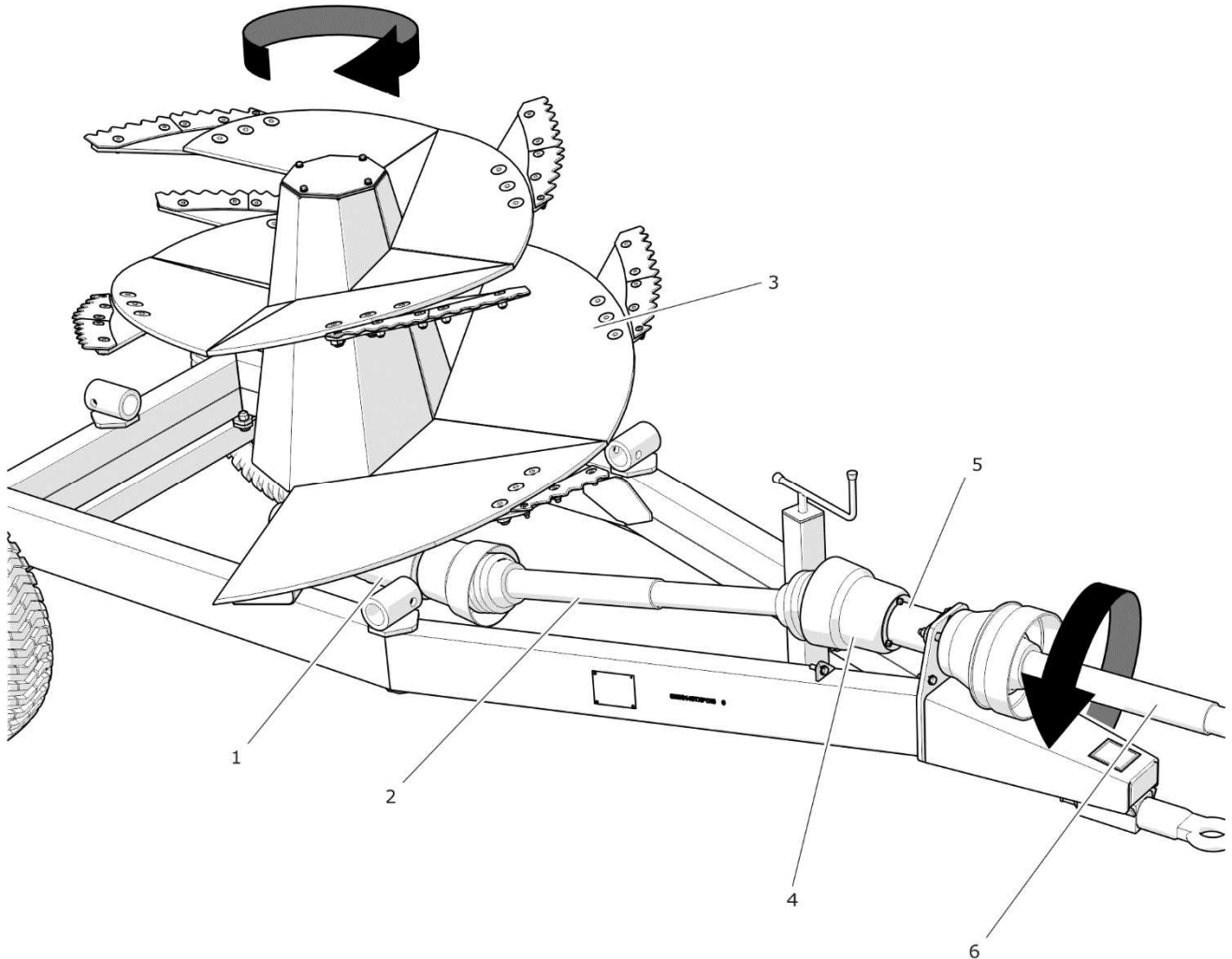


FIGURE 3.5 Drive transmission

(1) planetary gear, (2) intermediate drive shaft, (3) auger mixer, (4) shaft terminal cover, (5) shaft connector, (6) drive shaft

3.2.4 HYDRAULIC SYSTEM OF THE SLIDE GATES

The slide gate control system is supplied from the external hydraulic system of the tractor. This solution makes it possible to batch feed on the right side of the mixer feeder and unload feed to the rear in the centre of the feed corridor.

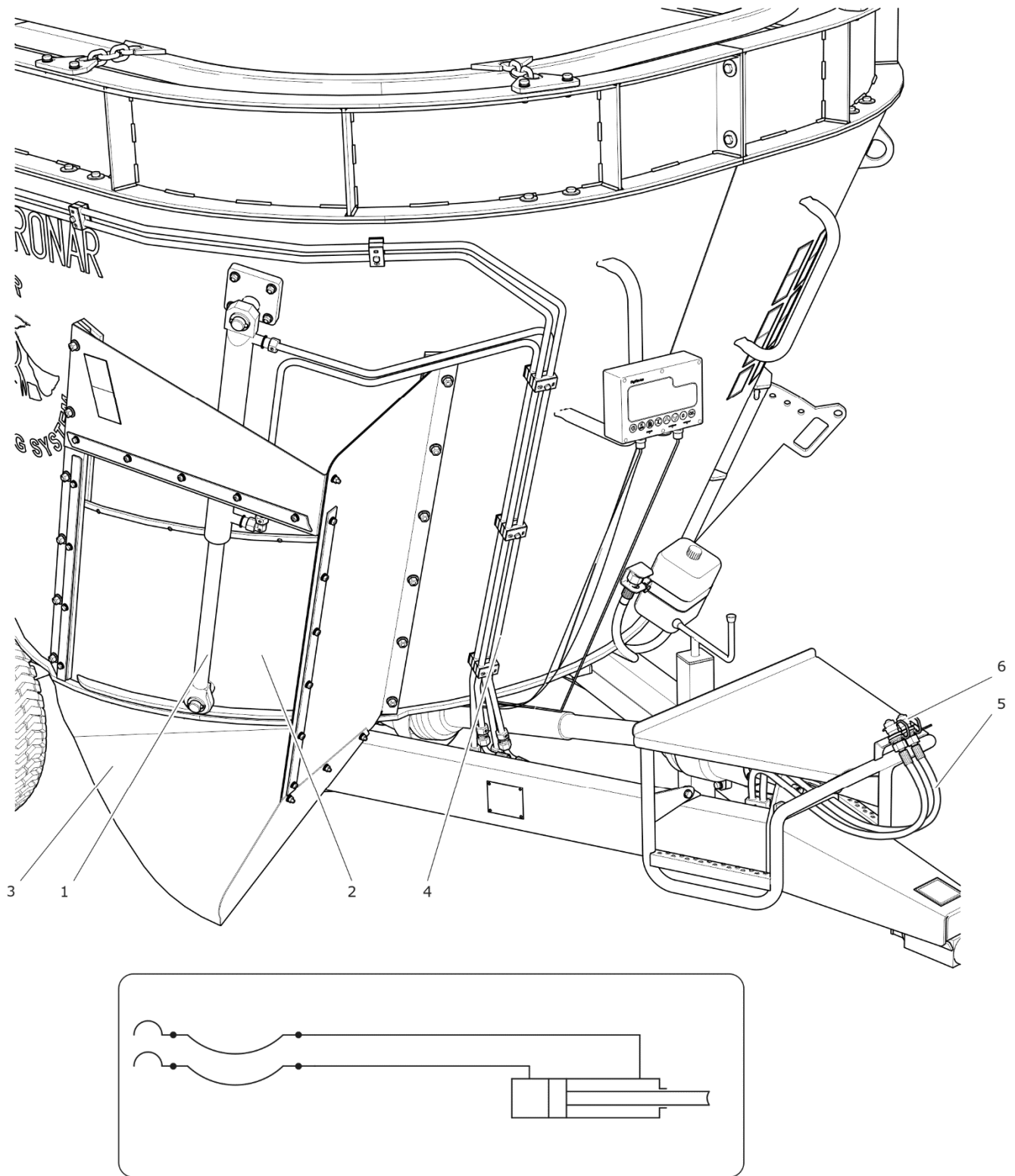


FIGURE 3.6 Diagram and design of the slide gate's hydraulic system

(1) hydraulic cylinder, (2) slide gate, (3) chute, (4) rigid hydraulic conduits, (5) flexible hydraulic conduits, (6) hydraulic connections

Feed batching speed depends on the auger mixer speed and the degree of opening of the slide gate. While parking the mixer feeder, the quick coupler terminals should be protected against contamination by placing them in special sockets on the platform. Design and diagram of the hydraulic system is shown in figure (3.6).

3.2.5 TRANSMISSION LUBRICATION SYSTEM

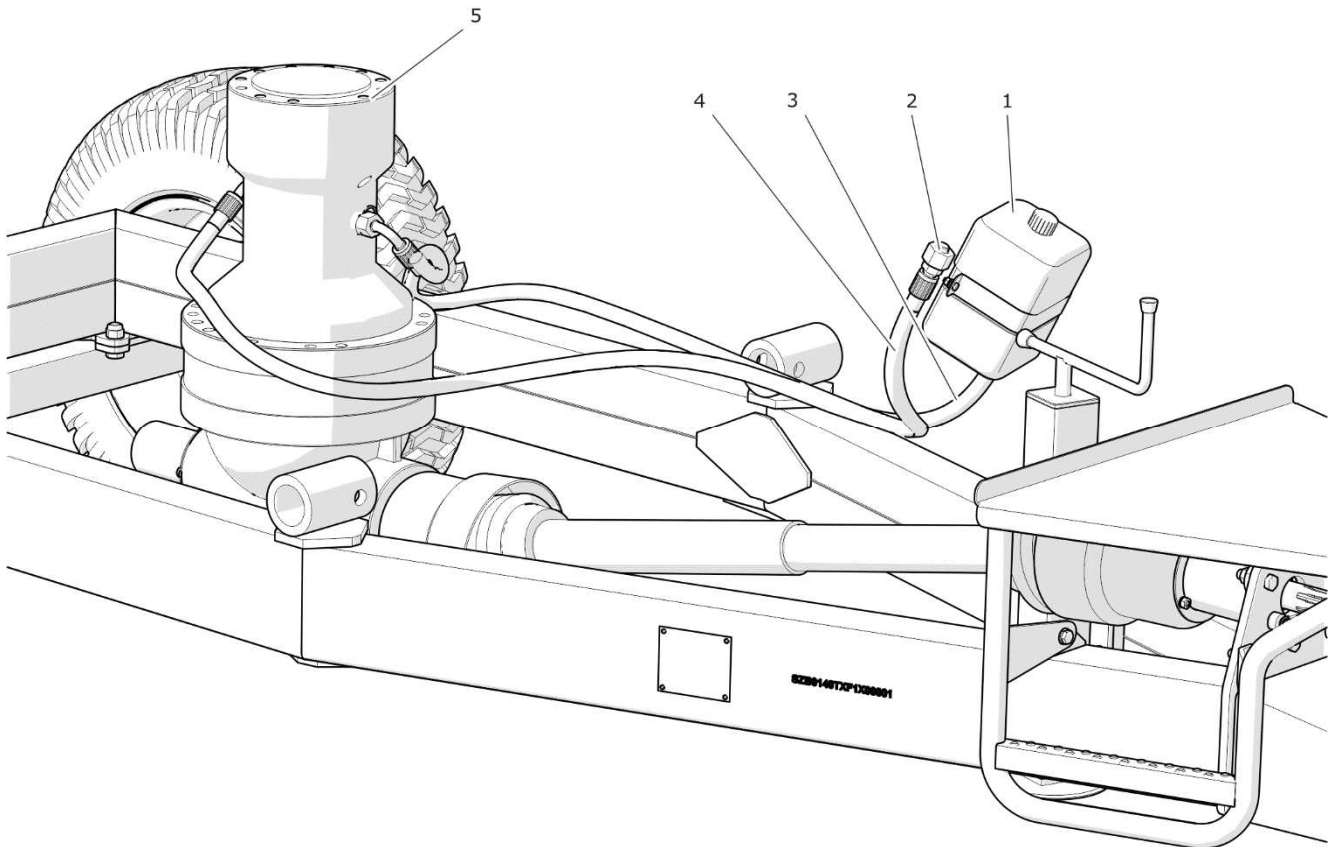


FIGURE 3.7 Transmission lubrication system

(1) oil expansion tank, (2) plug, (3) supply conduit, (4) bleed conduit, (5) planetary gear

The transmission lubrication system is shown in figure (3.7). The gear oil expansion tank (1) is located in the front section of the mixer feeder tank. Conduit (3) connects the tank with the gear. Oil flows down to the reduction gear and supplements missing oil.



TIP

The transmission lubrication system holds 12.5 litres of oil.

3.2.6 WEIGHING SYSTEM

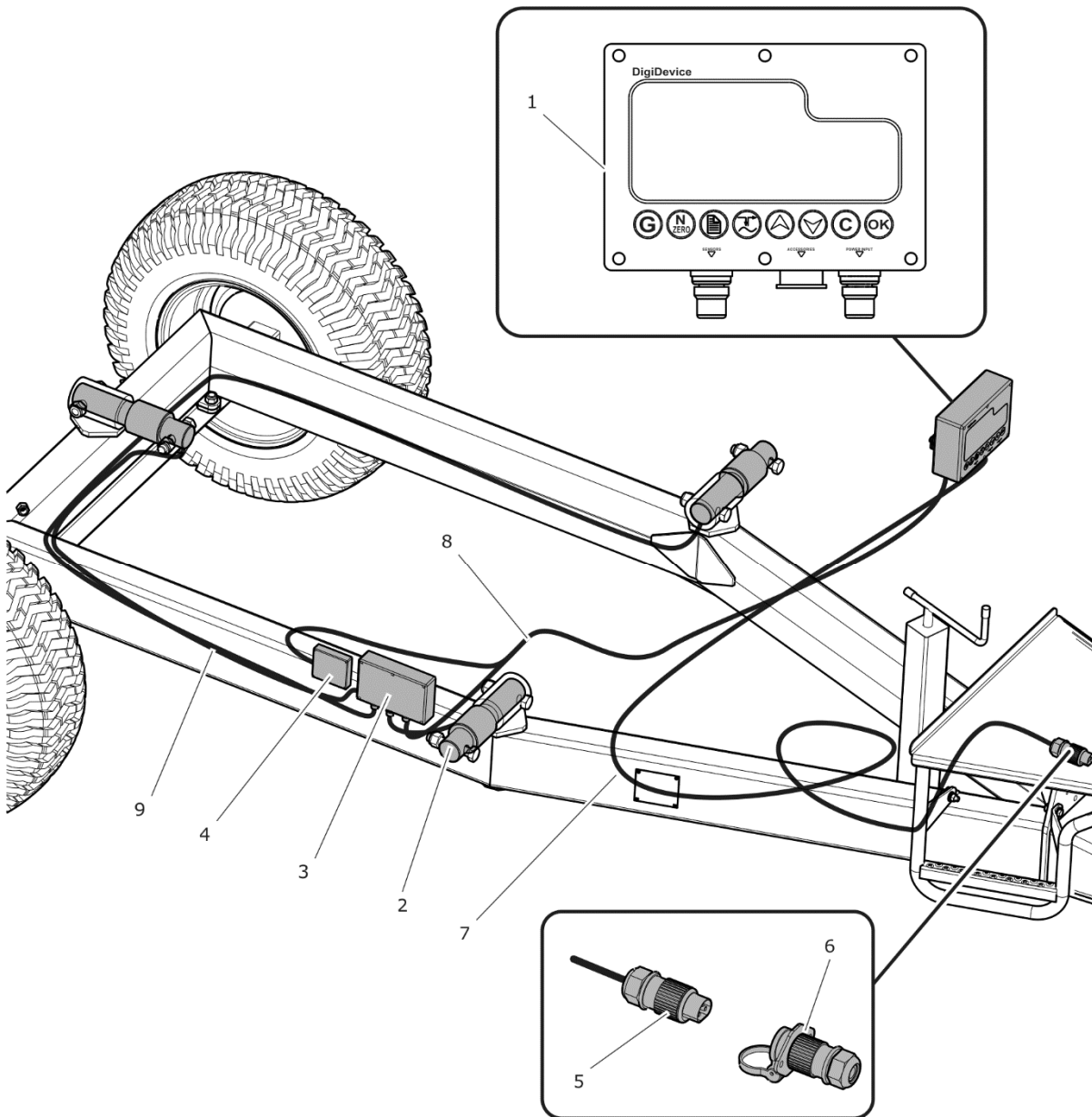


FIGURE 3.8 Arrangement of electrical system components

(1) scales display, (2) scales load cell, (3) connection box, (4) alarm, (5) 3-pole plug, (6) socket, (7) connection lead, (8) power lead, (9) signal lead

The mixer feeder's weighing system is designed for 24 V DC power supply. Connection of the system with the tractor should be made using appropriate connection lead (7). The electrical system of agricultural tractor must be equipped with proper 3-pole power supply socket (6), which is delivered and must be installed by the user in the tractor.

**ATTENTION**

Electric welding of the mixer feeder components may damage the load cells. Therefore, remove these elements before commencing this type of work.

SECTION

4

CORRECT USE

4.1 PREPARING THE MIXER FEEDER FOR NORMAL USE

4.1.1 PRELIMINARY INFORMATION

The mixer feeder is supplied to the user completely assembled and does not require additional assembling of the machine sub-assemblies. The manufacturer guarantees that the machine is fully operational and has been checked according to quality control procedures and is ready for use. This does not release the user from an obligation to check the machine's condition prior to purchasing and before first use.

4.1.2 HAND-OVER AND INSPECTION OF THE MACHINE AFTER DELIVERY

After delivery of the machine to the buyer, the user is obliged to check technical condition of the mixer feeder (one-time inspection). While buying the machine, the user must be informed by the seller about the method of use of the mixer feeder, risks resulting from the use for purposes other than intended, the method of the machine hitching and the principles of the machine construction and design. Detailed information concerning the machine hand-over are included in the *WARRANTY BOOK*.

Checking the mixer feeder after delivery

- ➔ Check completeness of the mixer feeder according to order.
- ➔ Check components of the scales system.
- ➔ Check technical condition of safety guards.
- ➔ Check condition of paint coating; check the machine for traces of corrosion.
- ➔ Check the machine for damage resulting from wrong transport of the machine to its destination (crushing, piercing, bending or breaking of minor elements etc.).
- ➔ Check technical condition of PTO shafts and their shields as well as completeness of these elements.
- ➔ Check technical condition and mounting of the blades on the auger and the counter blades installed in the tank.
- ➔ Check air pressure in tyres and check correct tightening of wheel nuts.
- ➔ Check technical condition of drawbar eye and if correctly installed.

- ➔ Ensure that the attached PTO shaft may be connected to the tractor, check rotation direction of tractor PTO.

If non-conformities are found, do not attach and start the mixer feeder. Discovered defects should be notified directly to the seller in order to remove them.



ATTENTION

The seller is obliged to conduct the first start up of the mixer feeder in the presence of the user.

The user trained by the seller is not released from the obligation to read this operator's manual carefully.

4.1.3 PREPARING THE MIXER FEEDER FOR THE FIRST USE, TEST RUN OF THE MIXER FEEDER



TIP

Operating activities: hitching to/unhitching from tractor, etc. are described in detail in further sections of the Operator's Manual.

Preparing for the test run

- ➔ Carefully read this *OPERATOR'S MANUAL* , the operator's manual of the PTO shaft and the operator's manual of the scales and adhere to the recommendations contained in these documents.
- ➔ Visually inspect the mixer feeder according to the guidelines presented in section *PREPARING THE MIXER FEEDER FOR NORMAL USE*.
- ➔ Hitch the mixer feeder to tractor according to the guidelines presented in section 4.2. Make certain that the PTO rotation direction is correct. Immobilise the tractor with parking brake.
- ➔ Check oil level in the drive transmission and in the expansion tank of the transmission lubrication system.
- ➔ Adjust the height and position of the scales display.

Test start

- ➔ Make sure there are no objects or living animals in the mixer feeder tank.
- ➔ Start the tractor's engine, close the dispensing window, start PTO drive. Stop the PTO drive after 3 minutes.
- ➔ Release tractor's parking brake. Perform test drive.

If during test run worrying symptoms occur such as:

- noise and abnormal sounds caused by rubbing of moving elements against the mixer feeder structure,
- hydraulic oil leak,
- incorrect hydraulic system operation
- other suspected faults,

immediately disengage the tractor's PTO drive and turn off the tractor engine. If a fault cannot be rectified or the repair could void the warranty, please contact retailer for additional clarifications or to perform the repair.

4.1.4 PREPARING THE MIXER FEEDER FOR NORMAL USE**Scope of inspection activities**

- ➔ Visually inspect if the tyres are properly inflated. In case of doubt, carefully check tyre pressure.
- ➔ Check level of transmission lubricating oil in the expansion tank.
- ➔ Check technical condition of drawbar eye.
- ➔ Check technical condition and completeness of safety guards.
- ➔ Check the condition of cutting blades and counter blades and their proper mounting.
- ➔ Check technical condition of PTO shaft, its shields and securing chains.

The above-mentioned activities should be performed before each start of the mixer feeder. Detailed information on other activities, inspection intervals and related procedures are included in section 5 *MAINTENANCE*.

DANGER

Do NOT use the mixer feeder without performing daily inspection of its technical condition.

Careless and incorrect use and operation of the mixer feeder and non-compliance with the recommendations given in this Operator's Manual is dangerous to your health.

The mixer feeder must never be used by persons who are not authorised to drive agricultural tractors, including children and people under the influence of alcohol or other drugs.

Non-compliance with the safety rules of this Operator's Manual can be dangerous to the health and life of the operator and others.

4.2 HITCHING AND UNHITCHING THE MIXER FEEDER

The mixer feeder may be hitched to the tractor only if all connections (electrical and hydraulic) and the agricultural tractor's hitch are according to the Manufacturer's requirements. In order to hitch the mixer feeder to the tractor, carry out the following actions in the following sequence.

Hitching to tractor

- ➔ Position agricultural tractor directly in front of the mixer feeder's drawbar eye.
- ➔ Position drawbar eye at the correct height.
 - ⇒ Turn the crank towards direction (A) to raise the drawbar eye.
 - ⇒ Turn the crank towards direction (B) to lower the drawbar eye.
- ➔ Reverse tractor, hitch the mixer feeder to appropriate hitch on tractor, check hitch lock protecting machine against accidental unhitching.
 - ⇒ If the agricultural tractor is equipped with an automatic coupler, ensure that the hitching operation is completed and that drawbar eye is secured.

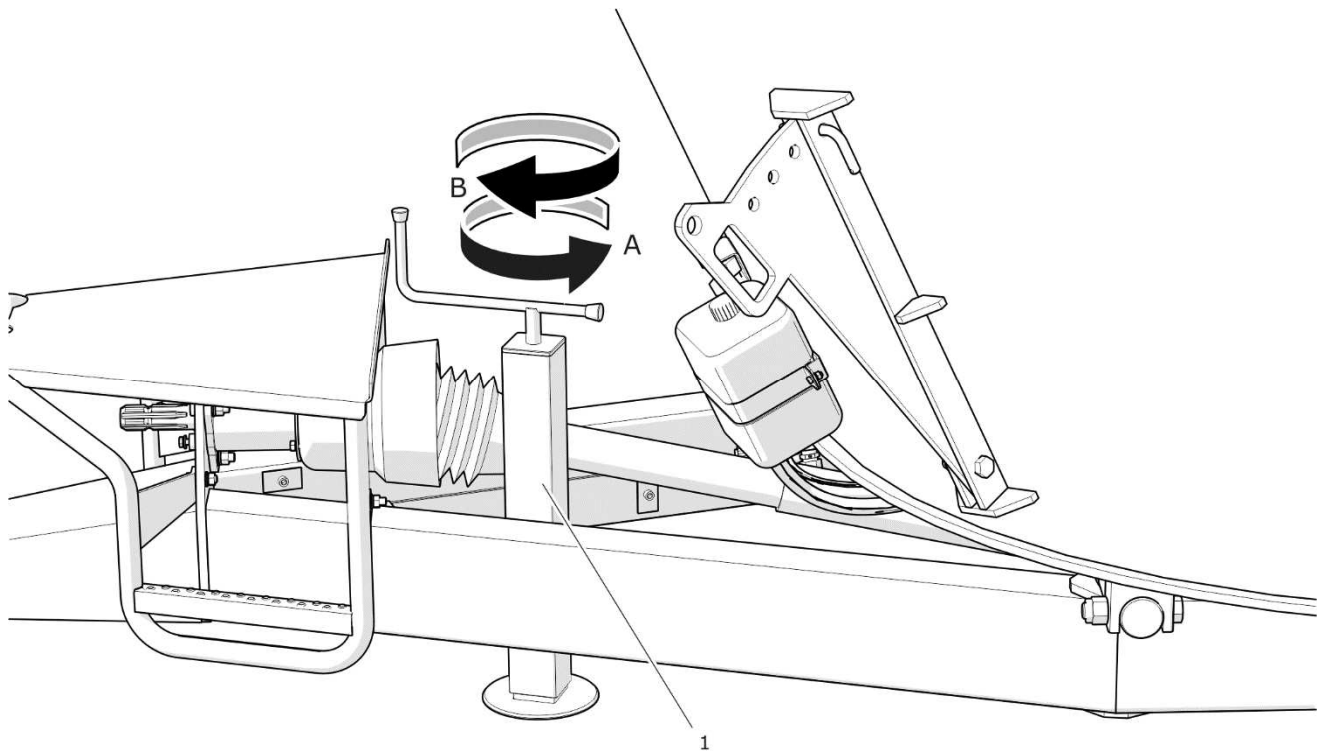


FIGURE 4.1 Support operation

(1) support, (A) lowering the support foot, (B) rising the support foot

- Turn off tractor engine. Ensure that unauthorised persons do not have access to the tractor cab.
- Connect conduits of the hydraulic control system of the slide gates to the tractor.
- Connect the scales' power lead to tractor.
- Connect PTO shaft and secure its shields.
- Raise the support foot to the extreme top position.
- Check and, if necessary, protect conduits against rubbing or other mechanical damage.
- Just before driving off, remove chocks from under the mixer feeder's wheels and place them in their designated holders.

ATTENTION

Do NOT use out of order mixer feeder.

When turning, the connection conduits must hang loosely and not become tangled with moving elements of the mixer feeder and tractor.

During travel and operation of the mixer feeder, the support foot must be raised.

If the agricultural tractor is equipped with an automatic coupler, ensure that the hitching operation is completed and that drawbar eye is secured.

DANGER

When hitching, there must be nobody between the mixer feeder and the tractor. When hitching the machine, tractor driver must exercise caution and make sure that nobody is present in the hazard zone.

When connecting the hydraulic conduits to the tractor, make sure that the hydraulic systems of the tractor and mixer feeder are not under pressure.

Ensure sufficient visibility during hitching.

Exercise due caution during support operation - danger of severing limbs.

After completion of hitching check the security of the hitching pin.

Unhitching

In order to unhitch the mixer feeder from the tractor carry out the following actions in the following sequence.

- ➔ Immobilise tractor with parking brake, turn off tractor engine
- ➔ Ensure that unauthorised persons do not have access to the tractor cab.
- ➔ Place chocks under the mixer feeder's wheels in order to prevent the machine from rolling.
- ➔ Turn the crank to lower the support foot.
 - ⇒ Set the drawbar eye at such a height that one may safely unlock and unhitch the mixer feeder's drawbar eye.
- ➔ Disconnect PTO shaft from tractor.
- ➔ Disconnect the slide gate hydraulic system conduits from tractor.

- ⇒ Place quick couplers in special sockets in the rear section of the platform and protect conduit ends with caps.
- ➔ Disconnect the scales' electric lead.
- ➔ Unlock tractor hitch, disconnect the mixer feeder's drawbar eye from tractor hitch.

DANGER



Exercise caution when unhitching the mixer feeder from the tractor. Ensure good visibility. Unless it is necessary, do not go between tractor and machine.

Before disconnecting conduits and drawbar eye, close tractor cab and secure it against access by unauthorised persons. Turn off tractor engine.

Do NOT unhitch the mixer feeder if its tank is full.

4.3 FILLING THE TANK AND FEED PREPARATION

The tank loading should be performed using mechanical devices: loader, bale grab, fork, etc. Manual loading should be performed from platforms or other elevations. To ensure safety and ergonomic working conditions, the height of the stands for manual loading should be smaller than the height of the wall extension edge by at least 1.4 metre.

DANGER



When operating the PTO shaft, be especially careful and adhere to the recommendations contained in the operator's manuals of the tractor and mixer feeder.

DANGER



When operating the mixer feeder, pay special attention to ensure that the cutting blades are always sharp. Operation of the mixer feeder with high auger mixer speeds is not economical. Take these remarks into account to shorten the feed disintegration time, save fuel and increase the machine life.

Before loading, hitch the mixer feeder to the tractor and position the machines on a level and stable surface. Immobilise tractor with parking brake. Adjust the position of counter blades. Start the tractor's engine and PTO drive at a speed not higher than 200 – 300 rpm, turn on the power supply of the tractor's 3-pole socket and start the mixer feeder's scales. Make certain that dispensing slide gates are closed.

DANGER



During loading, nobody may be on the platform or near the tank. Operator may enter the platform when the feed charge is preliminarily disintegrated and mixed.

During PTO shaft operation, nobody may be at the place located above the top edge of the wall extensions.

During loading, the mixer feeder's drawbar may be raised under temporary load. That is why, take special care to ensure that the mixer feeder's drawbar eye is properly hitched and secured.

Protect your eyes against dust when being on the platform during auger mixer operation.

During auger mixer operation (during mixing and disintegrating), do NOT put your hands or legs or objects into the tank.

Preparation of nutritive fodder depends on numerous factors. That is why the nutrients and their amounts should be selected in a proper manner with the assistance of a fodder specialist who can specify some feed recipes. Please remember that the degree of feed disintegration depends not only on the auger mixer speed but also on the proper position of the cutting blades, degree of their wear and duration of mixing and disintegration process.

ATTENTION



The position of the counter blades may be adjusted only when the auger mixer drive is turned off.

Do NOT exceed the maximum PTO rotation speed of 540 rpm.

Before loading, remove twine, film, net and other packing materials from pressed bales or blocks of feed ingredients.

Do NOT exceed the mixer feeder's maximum carrying capacity.

Some feed ingredients may considerably increase their volume when in contact with water – e.g. pressed sugar beet pulp. Pay attention not to exceed the maximum tank capacity when preparing feed.

First load the feed ingredients that must be thoroughly disintegrated (straw, hay, fresh grass). During loading, use the scales in order to determine proper amount of added ingredients. Hay or straw may rotate together with the auger. Adjust the counter blades in a proper manner to ensure correct mixing and cutting. Next feed ingredient may be loaded only when the first batch is properly mixed and disintegrated. The use of counter blades considerably shortens the time of preparation of dry feed charge.

Next, add heavier feed ingredients such as haylage, potatoes, sugar beet pulp, fodder beet and other ingredients. The process of mixing and disintegration must be continued until homogeneous feed is obtained.

During the last stage of feed preparation, add the lightest materials, with low granularity or loose and fluid ingredients (cereals, plant flour, feed preparations, water, etc.).



DANGER

While adding successive feed ingredients, pay particular attention to prevent foreign objects (stones, wood) from entering the tank.

The process of mixing and disintegration should be started at a PTO speed not higher than 200 – 300 rpm. This applies first of all to mixing of dry ingredients such as hay and straw. The auger mixer speed may be gradually increased if the feed ingredients are cut to a proper length and preliminarily mixed. Remember that the maximum PTO speed must not exceed 540 rpm.

Before loading a next feed batch, reduce the auger mixer speed again and gradually increase the speed when the feed is properly mixed and circulates smoothly inside the tank.



TIP

Lower rotation speed (adjusted by the tractor engine speed) shortens the dry feed preparation time (cutting and proper mixing) and increases the life of the auger mixer's cutting blades.

Foreign objects in the mixed feed shorten the life of the cutting and disintegrating blades and may be harmful to the health of cattle. If all feed mixture ingredients are added at once, proper feed preparation may be hampered or impossible and the mixer feeder's drive system may be overloaded.

4.4 ANALYSIS OF FEED MIXTURE

Proper degree of mixing and disintegrating should be checked each time before adding a next ingredient. The mixer feeder operator should take several feed samples and visually inspect the feed mixture consistency. If individual samples are similar, the fed ingredients are properly cut and mixed. Otherwise, continue mixing before a next material batch is added. The operator may enter the platform to control the feed preparation process. Exercise due caution when entering and descending the platform.

If the cattle feeding recipe has been prepared, record the amounts of added ingredients, the time required to prepare the feed and approximate humidity during the initial weeks of the mixer feeder operation. The comparison of the ready feed with the analysis results will make it possible to prepare high-quality nutritive mixed feed with proper consistency and degree of mixing in an efficient manner.

DANGER



The operator may enter the platform to control the feed preparation process. Exercise due caution when entering and descending the platform.

The samples for analysing the quality of mixing and disintegration of feed materials should be taken when the auger mixer drive is switched off.

4.5 FEEDING

Cattle feeding should start immediately after feed preparation. The mixer feeder is equipped with a skew slide gate for dispensing feed on the right side of the machine and a rear slide gate for unloading feed in the feed corridor. Feeding is performed only on the right side of the machine.

To dispense feed, start the drive shaft, drive to the feeding stand and open the slide gate. Degree of slide gate opening and auger mixer rotation speed as well as composition and consistency of feed mixture have a decisive influence on feed dispensing speed. Feed mixture circulating in the tank pours out onto the lower shield (3) – figure (4.2) and then to the feeders. Close the slide gate after completed feeding. At the end of feeding process, feed

mixture may stick to the auger surface. To prevent it, increase PTO speed to 540 rpm in order to remove as much feed mixture as possible from the tank.

The parameters of the auger drive system are so selected that the power demand at the PTO speed of 540 rpm is the minimum to ensure proper mixing of feed ingredients. These parameters make it also possible to thoroughly empty the tank at the final stage of the feeding process. Despite this, remains of feed may still stick to the auger mixer surface. These remains must be removed manually.

Feed unloading through the rear dispensing window is performed in order to collect mixed feed in the central part of the feed corridor, between the feeders. Unloaded mixed feed can be used later.

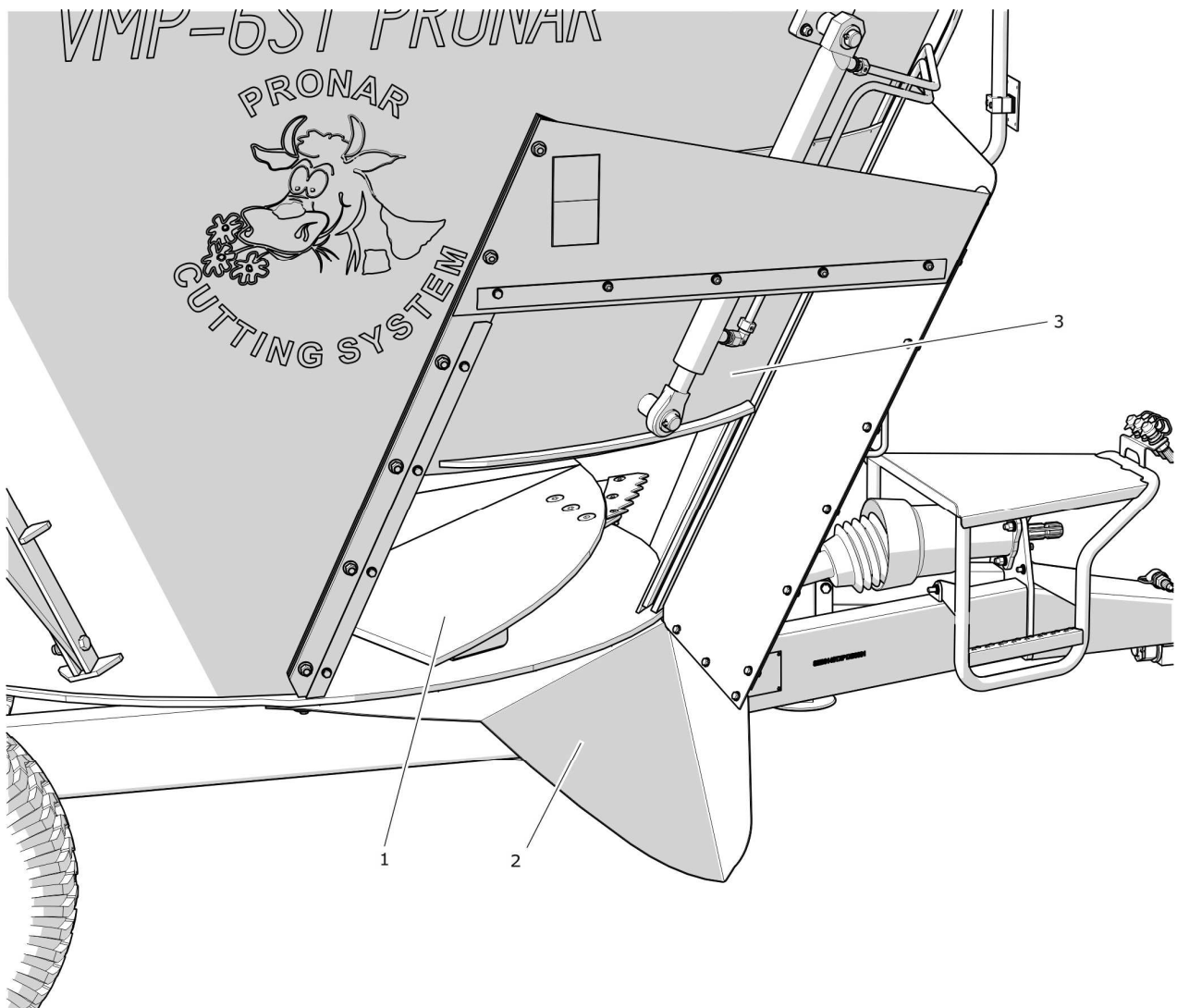


FIGURE 4.2 Dispensing slide gate

(1) auger mixer, (2) lower chute shield, (3) slide gate

4.6 ADJUSTMENT OF COUNTER BLADES

Counter blades (1) must be slid into the tank in order to disintegrate light and dry materials - figure (4.3). Otherwise, the feed charge will rotate with the same speed as the auger. The counter blades are installed on the opposite sides of the tank.

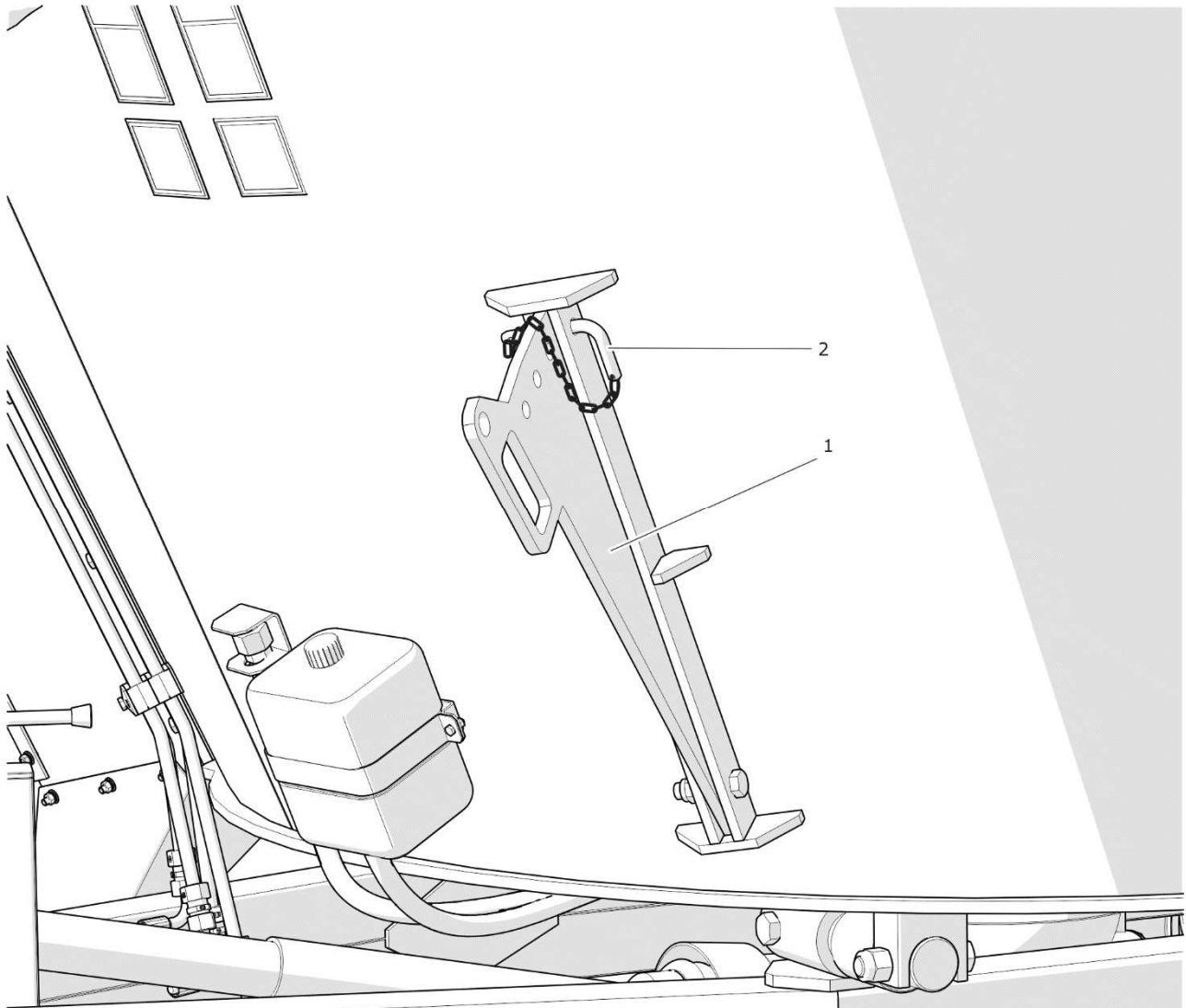


FIGURE 4.3 Principle of counter blade adjustment

(1) counter blade, (2) pin with cotter pin

In order to tilt the counter blade into the tank interior, unlock cotter pin of pin (2) and slide the counter blade to a selected working position. Insert the cotter pin and repeat the same procedure for the counter blade on the opposite side of the tank. The experience in feed preparation is required to set the counter blades properly. The setting of the counter blades

depends also on the material mixed in the tank - its size, humidity, etc. The counter blades do not require sharpening.

**ATTENTION**

The counter blades may be adjusted only when the auger mixer is not rotating.

4.7 CLEANING

Remove the remains of feed from the mixer feeder after finished feed dispensing. It is recommended to do this using a pressure washer. In order to do this:

- ➔ open both dispensing slide gates,
- ➔ turn off the tractor engine and remove key from ignition.
- ➔ immobilise tractor with parking brake,
- ➔ clean the mixer feeder with a strong water jet and leave it to dry.

In winter, the mixer feeder drying should be performed in a room with a temperature above 0° C. Frozen water may cause damage to paint coating or machine components. Non-observance of the recommendations concerning the mixer feeder cleaning creates a real risk of growth of bacteria that may cause animal diseases.

**ATTENTION**

Clean the machine thoroughly again if it has not been used for more than three days.
Remove the remains of feed from the mixer feeder each time after finished work.

4.8 PROPER USE AND MAINTENANCE OF TYRES

- When mounting and dismounting tyres, the mixer feeder must be immobilized by means of 2 chocks placed under the wheels.
- Repair or replacement of tyres should be carried out by persons trained and entitled to do so using appropriate devices and tools.

- Inspect tightness of nuts after the first use of the mixer feeder, after the first day of work under load and then every 6 months of use. The inspection should be repeated individually if a mixer feeder wheel has been removed from the wheel axle.
- Regularly check and maintain correct pressure in tyres.
- Protect valves using suitable caps to avoid soiling.
- Do not exceed the maximum design speed of the mixer feeder.
- When machine is operated all day, check temperature of tyres.
- Avoid potholes, sudden manoeuvres or high speeds when turning.

SECTION

5

MAINTENANCE

5.1 PRELIMINARY INFORMATION

When using the mixer feeder, regular inspections of its technical condition and the performance of maintenance procedures are essential, which keep the machine in good technical condition. In connection with this the user of the mixer feeder is obliged to perform all the maintenance and adjustment procedures defined by the Manufacturer.

Repairs during the warranty period may only be performed by authorised service points.

Detailed procedures and extent of activities which the user may perform by himself are described in this section. In the event of unauthorised repairs, changes to factory settings and other actions, which are not regarded as possible for the mixer feeder operator to perform, the user shall invalidate the warranty.

5.2 SERVICING WHEEL AXLE

5.2.1 PRELIMINARY INFORMATION

Work connected with the repair, change or regeneration of axle components should be entrusted to specialist establishments, having the appropriate technology and qualifications for this type of work.

The responsibilities of the user are limited to:

- inspection and adjustment of slackness of axle bearings,
- mounting and dismounting wheel, inspection of wheel tightening,
- checking air pressure, evaluating technical condition of wheels and tyres.

Procedures connected with:

- changing grease in axle bearings,
- changing bearings, hub seals,
- repairing wheel axle,

may be performed by specialist workshops.

5.2.2 CHECKING WHEEL AXLE BEARINGS FOR SLACKNESS

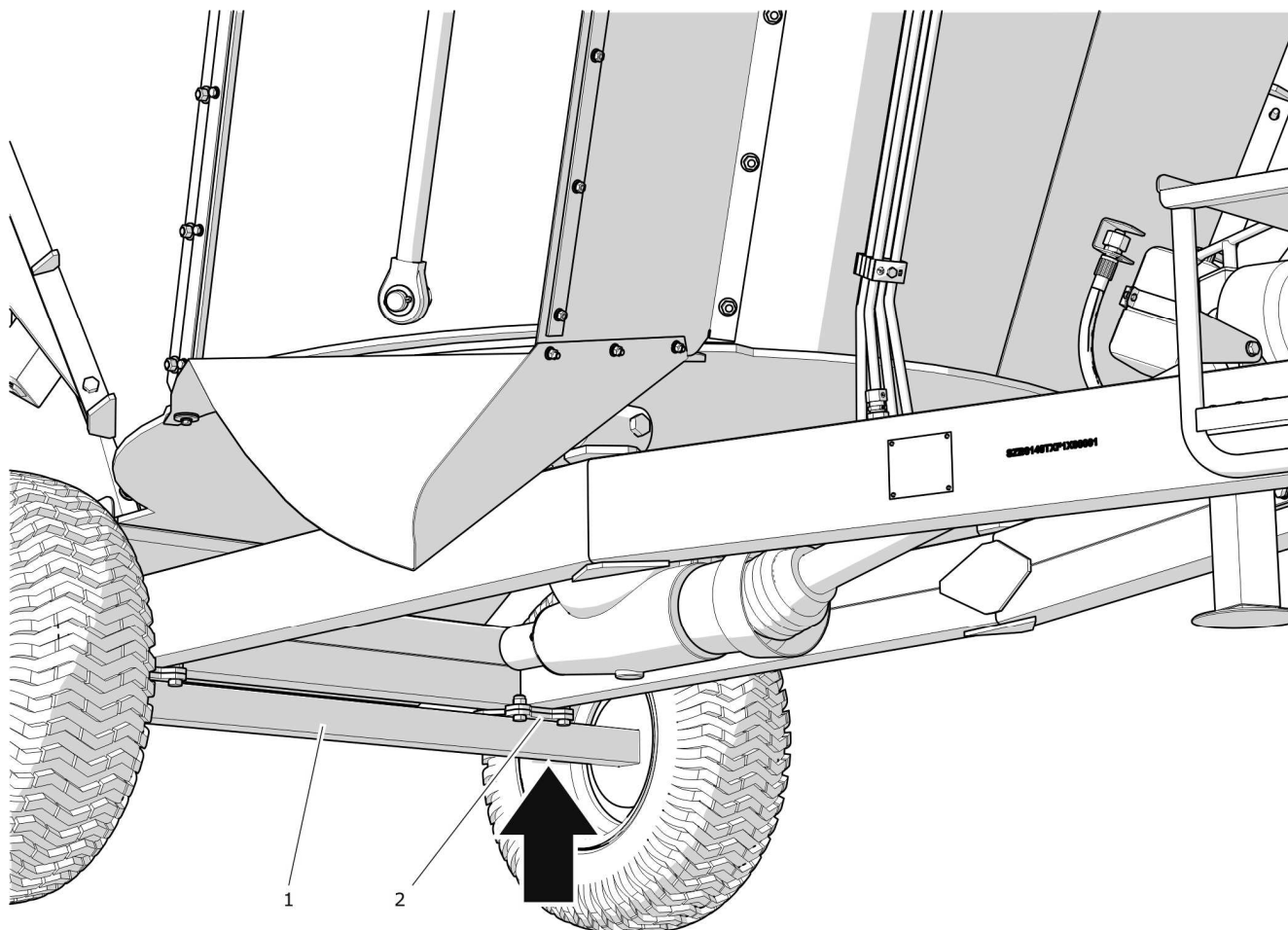


FIGURE 5.1 Lifting jack support point

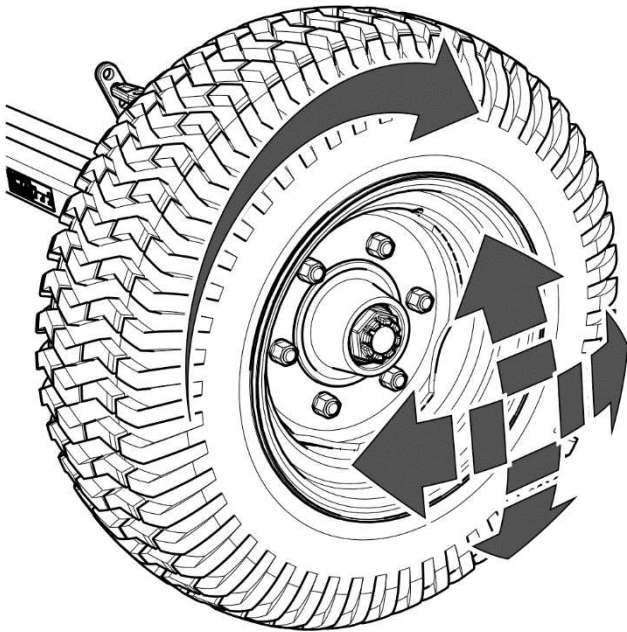
(1) wheel axle, (2) axle fastening plate

Preparation procedures

- ➔ Hitch the mixer feeder to tractor, immobilize tractor with parking brake.
- ➔ Park tractor and mixer feeder on hard level ground.
 - ⇒ Tractor must be placed to drive forward.
- ➔ Place securing chocks under the mixer feeder wheel. Ensure that machine will not move during inspection.
- ➔ Raise the wheel (opposite to the side where chocks are placed).
 - ⇒ Lifting jack should be positioned in the place indicated by the arrow in figure (5.1). Lifting jack must be suited to weight of mixer feeder.

Checking wheel axle bearings for slackness

- ➔ Turning the wheel slowly in both directions check that movement is smooth and that the wheel rotates without excessive resistance.



- ➔ Turn the wheel so that it rotates very quickly, check that the bearing does not make any unusual sounds.
- ➔ Holding the wheel above and below, try to feel any slackness.

⇒ You may use a lever placed under the wheel supporting the other end of the lever on the floor.

FIGURE 5.2 Checking bearings for slackness

- ➔ Lower the lifting jack, relocate the chocks to the other wheel and repeat the inspection procedure for the other wheel.

TIP



If hub cover is damaged or missing, contamination and dampness enter the hub, which causes significantly faster wear of bearings and hub seals.

Bearing life is dependent on working conditions of mixer feeder, loading, speed of travel and lubrication conditions.

If slackness is felt, adjust bearings. Unusual sounds coming from bearing may be symptoms of excessive wear, dirt or damage. In such an event the bearing, together with sealing ring, should be replaced with new parts, or cleaned and greased again

**Checking wheel axle bearings for slackness:**

- after the first month of use,
- every 6 months of use.

Check condition of hub cover, if necessary replace with a new cover. Inspection of bearing slackness may only be conducted when the mixer feeder is hitched to tractor. The machine may not be loaded.

**DANGER**

Before commencing work, the user must read the instructions for lifting jack and adhere to the manufacturer's instructions.

The lifting jack must be stably supported on the ground and so must the axle.

Ensure that the mixer feeder shall not move during inspection of axle bearing slackness.

5.2.3 ADJUSTMENT OF AXLE BEARING SLACKNESS

Preparation procedures

- ➔ Prepare tractor and mixer feeder for adjustment procedures according to description provided in section 5.2.2.

Adjustment of slackness of wheel axle bearing

- ➔ Take off hub cover (1) – figure (5.2).
- ➔ Take out cotter pin (3) securing castellated nut (2).
- ➔ Tighten castellated nut in order to eliminate slackness.
 - ⇒ Wheel should rotate with insignificant resistance.
- ➔ Undo nut (not less than 1/3 rotation) to align the nearest thread groove with the opening in wheel axle pin. Wheel should rotate without excessive resistance.

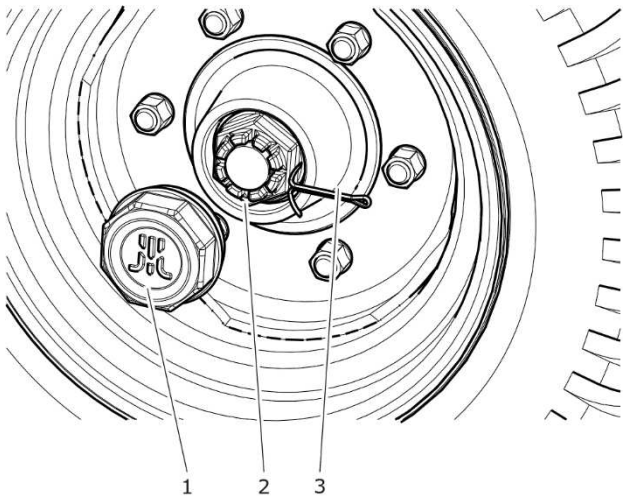


FIGURE 5.3 Adjusting half axle bearings

(1) hub cover, (2) castellated nut, (3) cotter pin

⇒ Nut must not be excessively tightened. Do not apply excessive pressure because working conditions of the bearings may deteriorate.

- ➔ Secure castellated nut with cotter pin and mount the hub cap.
- ➔ Delicately tap the hub cap with rubber or wooden mallet.

The wheel should turn smoothly without jamming and detectable resistance. Adjustment of bearing slackness may only be conducted when the mixer feeder is hitched to tractor and its tank is empty.

feeder is hitched to tractor and its tank is empty.

5.2.4 MOUNTING AND DISMOUNTING WHEEL, INSPECTION OF WHEEL NUT TIGHTENING

Dismounting wheel

- ➔ Place chocks under the wheel that will not be dismantled.
- ➔ Ensure that the mixer feeder is properly secured and shall not move during wheel dismantling.
- ➔ Loosen wheel nuts according to sequence given in figure (5.3).
- ➔ Place lifting jack and lift the wheel.
- ➔ Dismount wheel.

Wheel mounting

- ➔ Clean axle pins and nuts of contamination.
 - ⇒ Do not grease thread of nuts and pins.
- ➔ Check condition of pins and nuts, if necessary replace them.
- ➔ Place wheel on hub, tighten nuts so that wheel rim tightly fits the hub.

- ➔ Lower the mixer feeder, tighten nuts according to recommended torque and given sequence.

Tightening nuts

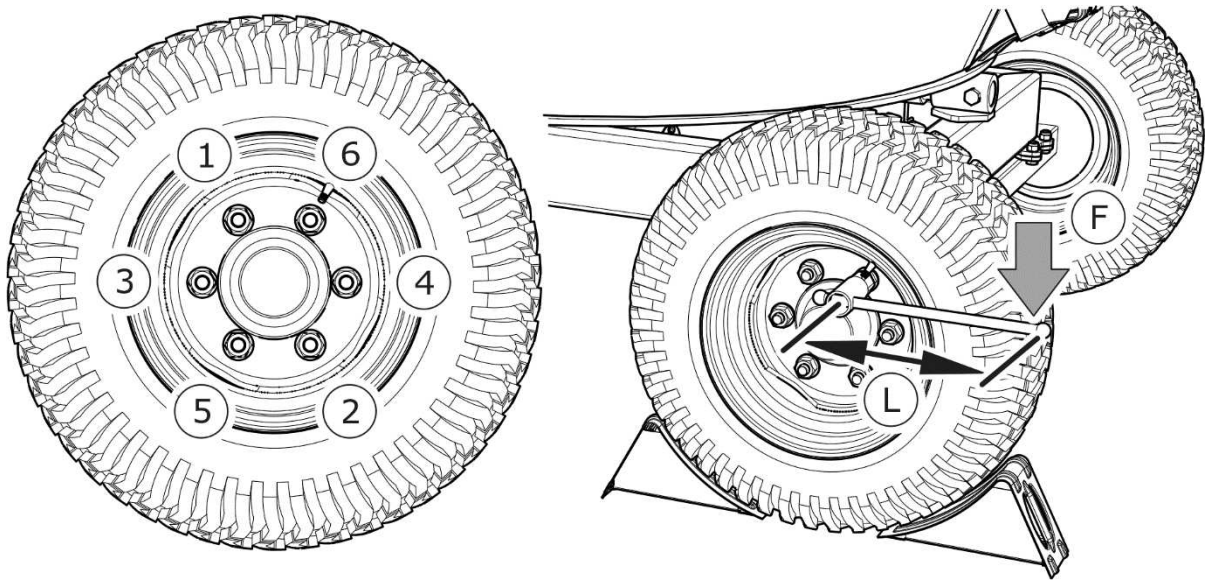


FIGURE 5.4 Sequence of nut tightening


(1) - (6) sequence of nut tightening, (L) spanner length, (F) user weight

Nuts should be tightened gradually diagonally, (in several stages, until obtaining the required tightening torque) using a torque spanner. If a torque spanner is not available, one may use an ordinary spanner. The arm of the spanner (L), figure (5.4), should be selected according to the weight of the person (F) tightening the nut. Remember that this method of tightening is not as accurate as the use of a torque spanner.



TIP

Wheel nuts should be tightened using the torque of 270 Nm - M18x1.5 nuts.



Checking the wheel nut tightening:


- after first use of the mixer feeder,
- after first travel with load,
- every 6 months of use.

The above actions should be repeated individually if a wheel has been removed from the wheel axle.

TABLE 5.1 Spanner arm

WHEEL TIGHTENING TORQUE	BODY WEIGHT (F)	ARM LENGTH (L)
[Nm]	[kg]	[m]
270	90	0.30
	77	0.35
	67	0.40
	60	0.45

ATTENTION



Wheel nuts may not be tightened with impact wrench because of danger of exceeding permissible tightening torque, the consequence of which may be breaking the thread connection or breaking off the hub pin.

The greatest precision is achieved using a torque spanner. Before commencing work, ensure that correct tightening torque value is set.

5.2.5 CHECKING AIR PRESSURE IN TYRES, EVALUATING TECHNICAL CONDITION OF TYRES AND STEEL WHEELS

Tyre pressure should be checked each time after changing spare wheel and not less than every month. In the event of intensive use, air pressure in tyres should be checked more frequently. During this time the mixer feeder must be unloaded. Checking should be done before travelling when tyres are not heated, or after an extended period of parking.

**TIP**

Tyre pressure values are specified in information decal, placed on wheel or on the frame above machine wheel.

**DANGER**

Damaged tyres or wheels may be the cause of a serious accident.

While checking pressure pay attention to technical condition of wheels and tyres. Look carefully at tyre sides and check the condition of tread.

In case of mechanical damage consult the nearest tyre service and check whether the tyre defect requires tyre replacement.

Wheels should be inspected with regard to distortion, breaking of material, breaking of welds, corrosion, especially in the area of welds and contact with tyre.

Technical condition and appropriate maintenance significantly extends the life of these components and ensures appropriate level of safety to mixer feeder users.

**Checking air pressure in tyres and visual inspection of steel wheels:**

- every 1 month of use,
- every week during intensive work,
- if needed.

5.3 HYDRAULIC SYSTEM MAINTENANCE

5.3.1 PRELIMINARY INFORMATION

Work connected with the repair, replacement or regeneration of hydraulic system components should be entrusted to specialist establishments, having the appropriate technology and qualifications for this type of work.

**TIP**

Bleeding of the hydraulic system is not required during normal operation of the mixer feeder.

The duties of the operator connected with the hydraulic system maintenance include:

- checking tightness and visual inspection of the system,
- checking technical condition of hydraulic connections.

5.3.2 CHECKING HYDRAULIC SYSTEM TIGHTNESS

Required maintenance actions

- ➔ Hitch the mixer feeder to tractor.
- ➔ Connect all hydraulic system conduits according to maintenance instructions.
- ➔ Clean connectors and hydraulic cylinders.
- ➔ Open and close both slide gates of the tank several times.
- ➔ Check hydraulic cylinders and conduits for tightness.

If oil leak is detected on hydraulic cylinder body, ascertain origin of leak. Inspect seals when hydraulic cylinder is completely extended. Minimum leaks are permissible with symptoms of "sweating", however in the event of noticing leaks in the form of "droplets" stop using the mixer feeder until faults are remedied. If leaks appear at connections then tighten the connections.



Checking tightness:

- after the first week of use,
- every 12 months of use.

5.3.3 CHECKING TECHNICAL CONDITION OF HYDRAULIC COUPLERS AND SOCKETS.

Hydraulic connections must be technically reliable and kept clean. Each time before connecting, check if socket in tractor are maintained in good working condition. Hydraulic

systems of the tractor and mixer feeder are sensitive to the presence of permanent contamination, which may cause damage to precision system components.



Inspection of hydraulic couplers and sockets:

- each time before hitching the mixer feeder to tractor.

5.3.4 REPLACEMENT OF HYDRAULIC CONDUITS

Rubber hydraulic conduits must be replaced every 4 years regardless of their technical condition. This should be done in specialised workshops.



Replacement of hydraulic conduits:

- every 4 years.

5.4 LUBRICATION OF MIXER FEEDER

Lubrication of mixer feeder should be performed with the aid of a manually or foot operated grease gun, filled with recommended grease. Before commencing work insofar as is possible remove old grease and other contamination. Remove and wipe off excess oil or grease.

Parts to be lubricated with machine oil should be wiped with dry clean cloth and then a small quantity of oil should be applied to their surfaces (using oil can or brush). Wipe off excess oil.

Change of grease in hub bearings should be entrusted to specialised service points, equipped with the appropriate tools. According to the recommendations of the axle Manufacturer, dismantle the entire hub, remove the bearing and individual sealing rings. After careful washing and inspection, mount lubricated elements. If necessary, bearing and seals should be replaced with new parts. Lubrication of axle bearings shall be performed at least once in 2 years.

Empty grease or oil containers should be disposed of according to the recommendations of the lubricant Manufacturer.

TABLE 5.2 Mixer feeder lubrication schedule

ITEM	LUBRICATION POINT	NUMBER OF LUBRICATION POINTS	TYPE OF GREASE	FREQUENCY
1	Hub bearing	4	A	24M
2	Drawbar eye	1	B	14D
3	Multi-splined transmission shaft	1	B	30H
4	Multi-splined shaft of PTO connector	2	B	30H
5	Chute guides	4	C	3M
6	Eyes of slide gate opening hydraulic cylinders	4	A	1M
7	Rotating drawbar eye	1	B	1M
8	Support screw	1	A	12M

lubrication periods – M month, D – days, H – hour

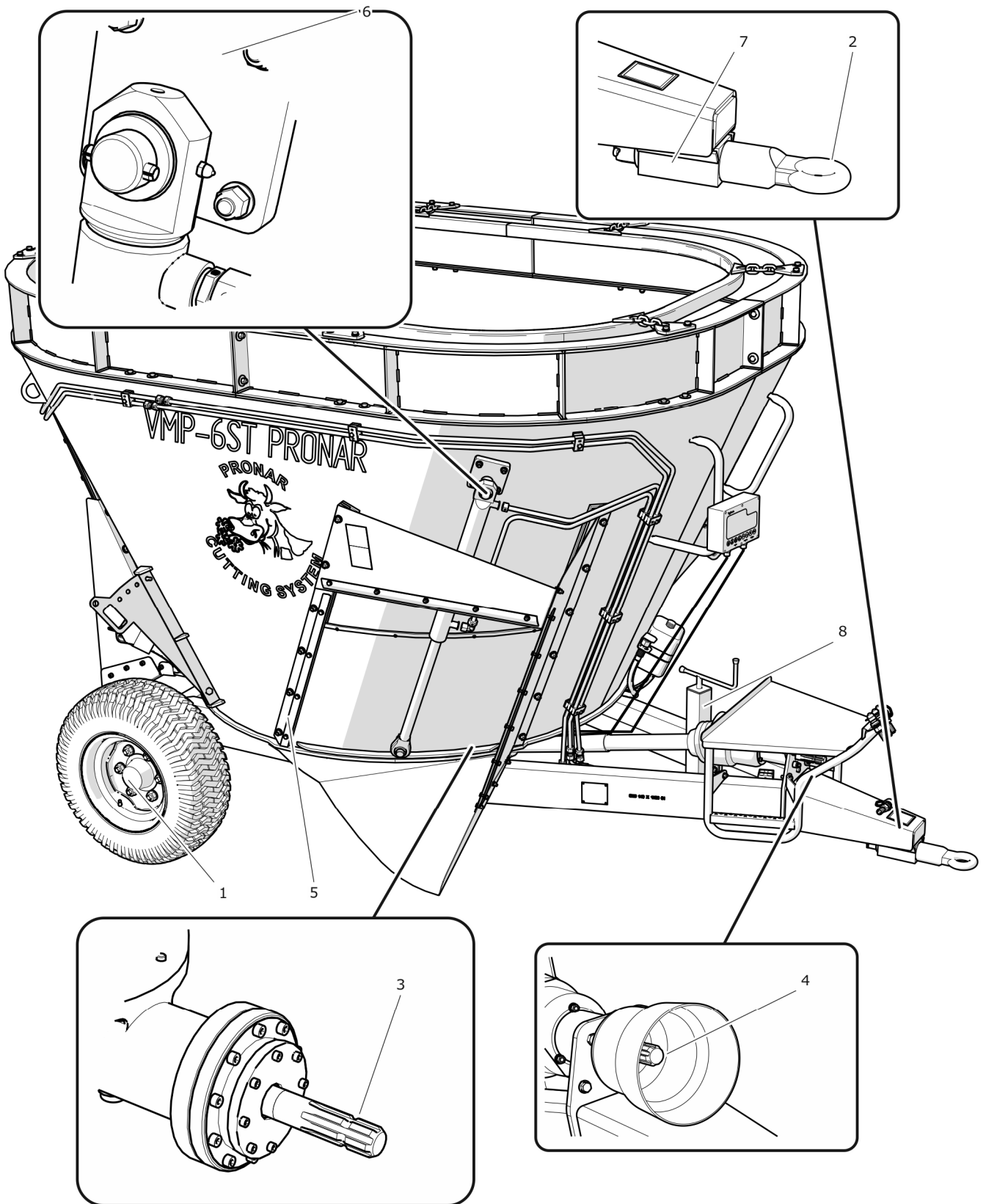



FIGURE 5.5 Mixer feeder's lubrication points

TABLE 5.3 Recommended lubricants

MARKING ACCORDING TO TAB. (5.3)	DESCRIPTION
A	machine general-purpose grease (lithium, calcium grease),
B	permanent grease for heavily loaded elements with addition of MOS ₂ or graphite
C	biodegradable oil

When using the mixer feeder, lubricate also the PTO shafts according to the instructions of their manufacturers. For detailed information on PTO shaft maintenance, please refer to the user's manual of the shaft.



When using the mixer feeder, the user is obliged to observe lubrication instructions according to lubrication schedule.

5.5 CONSUMABLES

5.5.1 HYDRAULIC OIL

TABLE 5.4 L-HL 32 Lotos hydraulic oil characteristics

ITEM	NAME	UNIT	VALUE
1	ISO 3448VG viscosity classification	-	32
2	Kinematic viscosity at 40 ⁰ C	mm ² /s	28.8 – 35.2
3	ISO 6743/99 quality classification	-	HL
4	DIN 51502 quality classification	-	HL
5	Flash-point	C	230

Always adhere to the principle that the oil in the mixer feeder hydraulic system and in the tractor hydraulic system are of the same type. In the event of application of different types of oil make certain that both hydraulic substances may be mixed together. Application of

different oil types may cause damage to mixer feeder or tractor. In a new machine, the hydraulic system is filled with L HL32 Lotos hydraulic oil.

If it is necessary to change hydraulic oil for another oil, check the recommendations of the oil Manufacturer very carefully. If it is recommended to flush the system with the appropriate preparation, then comply with these recommendations. Attention should be given, so that chemical substances used for this purpose do not damage the materials of the hydraulic system. During normal use of the mixer feeder, change of hydraulic oil is not necessary, but if required, this operation should be entrusted to a specialist service point.

Because of its composition, the oil is not classified as a dangerous substance, however long-term action on the skin or eyes may cause irritation. In the event of contact of oil with skin wash the place of contact with water and soap. Do NOT apply organic solvents (petrol, kerosene). Contaminated clothing should be changed to prevent access of oil to skin. In the event of contact of oil with eye, rinse with large quantity of water and in the event of the occurrence of irritation consult a doctor. Hydraulic oil in normal conditions is not harmful to the respiratory tract. A hazard only occurs when oil is strongly atomised (oil vapour), or in the case of fire during which toxic compounds may be released.



DANGER

Oil fires should be quenched with the use of carbon dioxide, foam or steam extinguishers. Do not use water to quench oil fires.

5.5.2 LUBRICANTS

For heavily loaded parts it is recommended to apply lithium greases with addition of molybdenum disulphide (MOS_2) or graphite. In the case of less loaded sub-assemblies the application of general purpose machine greases is recommended, which contain anticorrosive additives and have significant resistance to being washed away by water. Aerosol preparations (silicon greases and anticorrosive-lubricating substances) should have similar characteristics.

Before using the greases, read the information leaflet for a given product. Particularly relevant are safety rules and handling procedures for a given lubricant as well as waste disposal procedure (used containers, contaminated rags etc.). Information leaflet (material safety data sheet) should be kept together with grease.

5.6 TRANSMISSION MAINTENANCE

Maintenance of the reduction gear is conducted during general inspection, change or topping up gear oil. In the event of damage to the reducer, contact authorised service point in order perform repairs.

First oil change must be made after the first 100 hours worked. The next oil change should be made after 2,000 hours of the mixer feeder work or once a year.



ATTENTION

If the amount of transmission oil added in order to reach the correct level (after 100 hours) is greater than 1.5 litres, it is an indication of transmission oil leakage. Please contact the service centre for repair.

Oil change

- ➔ Unscrew the bleed conduit plug (1) – figure (5.6) and expansion tank plug (2).
- ➔ Unscrew drain plug (3).
- ➔ Drain oil into an oil-resistant tight container, the container capacity should be about 20 litres.
- ➔ Clean the drain plug, replace the seal.
 - ⇒ The drain plug contains a magnetic filter.
- ➔ If the oil manufacturer recommends flushing transmission with washing detergent, that operation should be performed according to the guidelines of the oil manufacturer.
- ➔ Tighten drain plug (3).

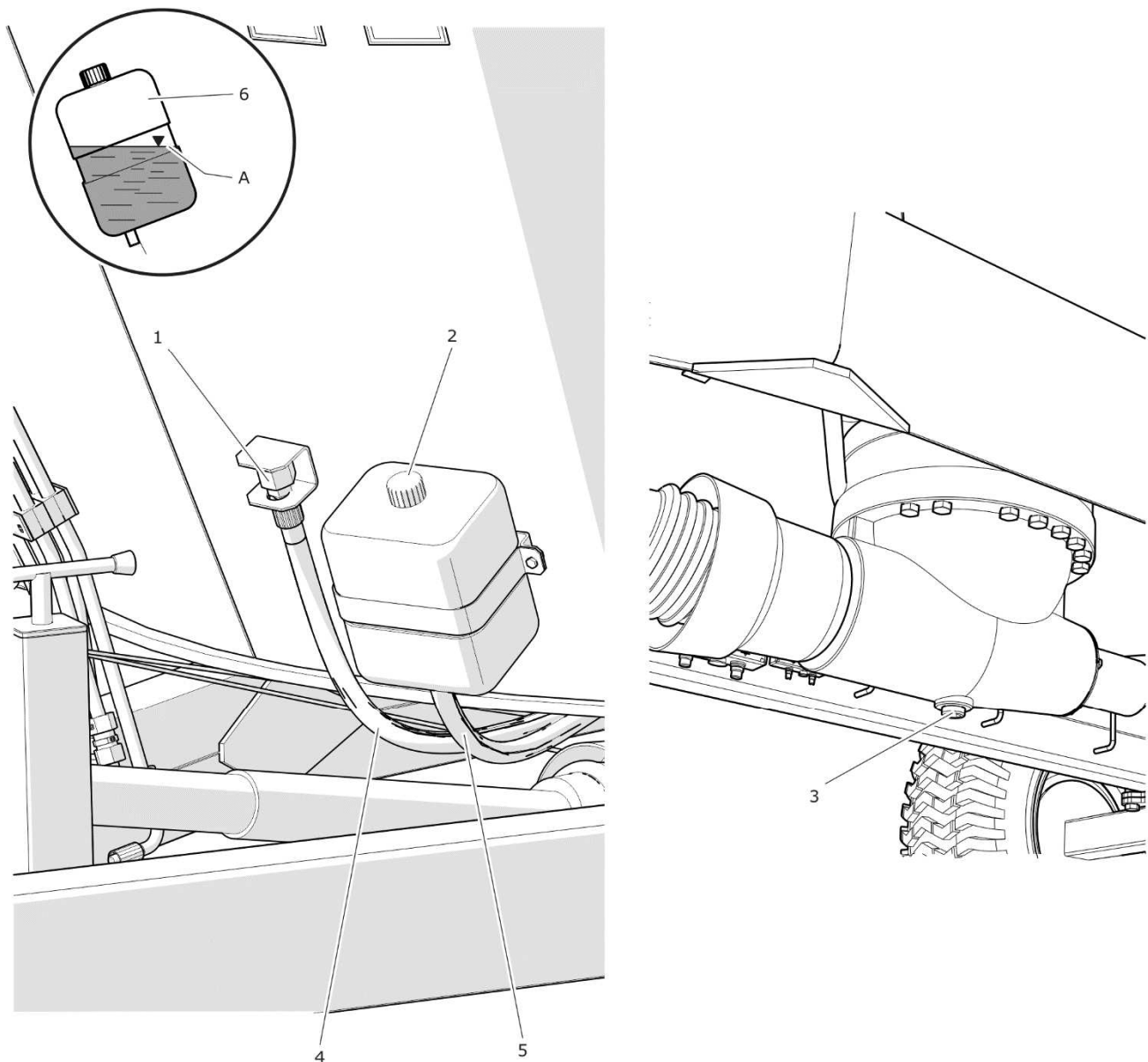



FIGURE 5.6 Oil change

(1) bleed plug, (2) expansion tank nut, (3) transmission drain plug, (4) bleed conduit, (5) supply conduit, (6) expansion tank, (A) oil level in expansion tank

- ➔ Remove the bleed conduit (5) and place it below the tank bottom in such a manner as to ensure that all oil can freely flow out of the conduit.
- ➔ Add oil to the transmission until oil appears in the bleed conduit.
- ➔ Attach the bleed conduit in the holder.
- ➔ Add oil to level (A) in the expansion tank.

- ➔ Tighten the oil expansion tank plug (2) and bleed plug (1).


When changing the oil, also change the washers under the plugs.




TIP
The transmission holds 12.5 litres of oil.

TABLE 5.5 Requirements for transmission lube oil

VISCOSITY CLASSES ACC. TO AGMA		KINEMATIC VISCOSITY AT 40°C, [mm²/s]	VISCOSITY CLASSES ISO 3448
R&O	EP		
5	5 EP	198 – 242	VG 220



Check the oil level in the system each time before starting the machine. If oil level is insufficient, add oil. Check that the bleed opening in the oil tank plug is not blocked (2).



ATTENTION
The transmission housing temperature must not exceed 80° C. If the transmission housing overheats, contact the service centre.

5.7 DISASSEMBLY AND INSTALLATION OF CUTTING BLADES

Depending on the mixer feeder operation mode, the cutting blades should be sharpened or replaced after some time. The life of the cutting blades is considerably shortened if there are foreign bodies in the feed (sand, stones, etc.).

Stones entering the tank may damage the cutting blades to such a degree that it will be necessary to change the blades (bending, cracks, fractures). Presence of sand in the feed

mixture causes several times faster blade wear. The worn blades may be reused provided that they are properly regenerated.

The person disassembling or installing the cutting blades must enter the mixer feeder tank.

Disassembly of blades

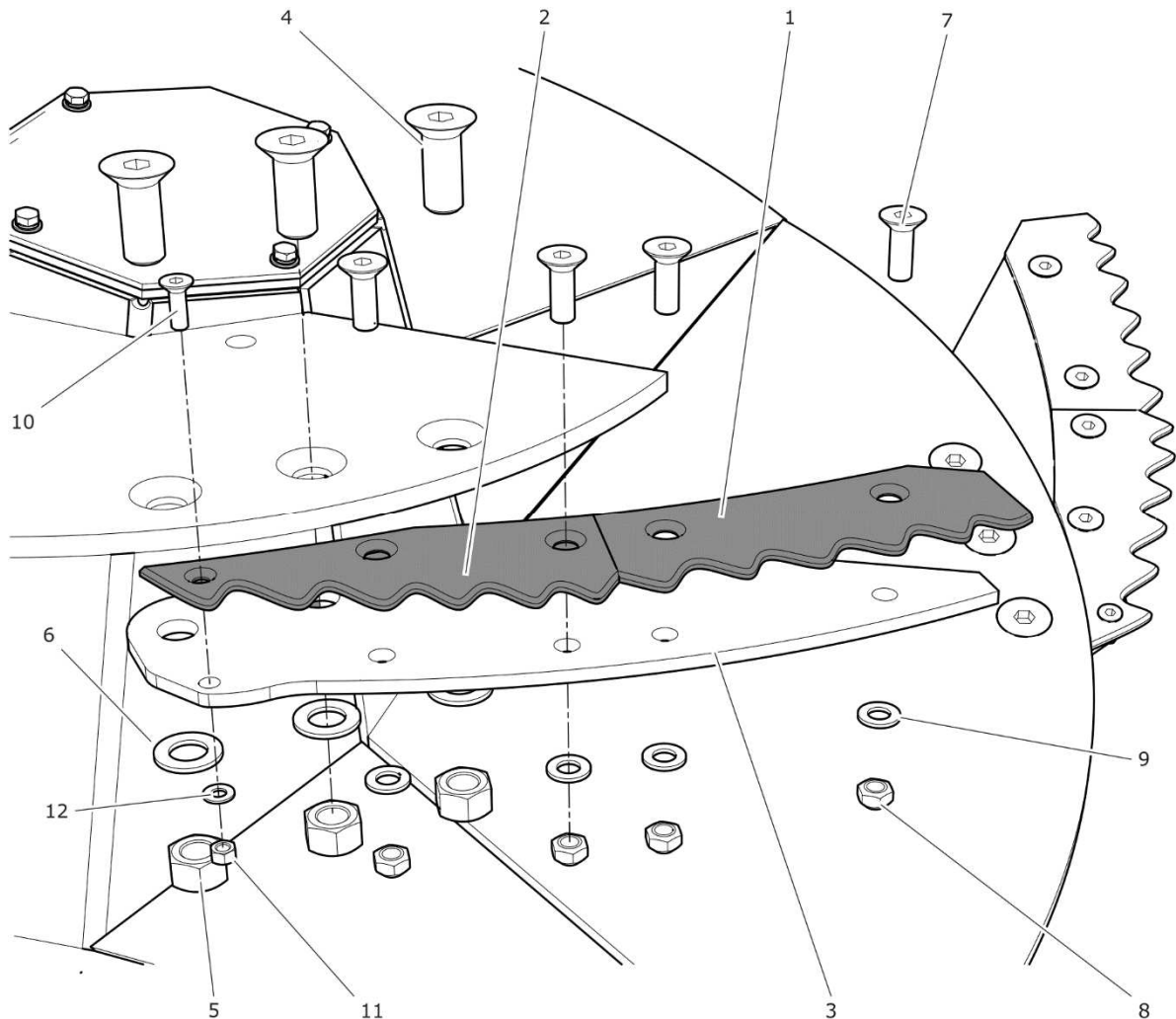


FIGURE 5.7 Disassembling the cutting blades

(1) cutting blade I, (2) cutting blade II, (3) blade base, (4), (7), (10) cone headed screw, (5), (8), (11) self locking nut, (6), (9), (12) flat washer

- ➔ Prepare the mixer feeder before entering the tank.
 - ⇒ Read the section (5.9).
- ➔ Undo 3 nuts (5), remove washers (6) and take out screws (4) – figure (5.13),
- ➔ Unscrew bolt and nut connection of blade I (1) and dismount blade I.

- ➔ Unscrew bolt and nut connection of blade II (2) and dismount blade II.

Installation should be done in reverse order using new nuts. Bolt and nut connection should be tightened using proper tightening torque.

DANGER



Since the cutting blades are very sharp, exercise due caution when mounting and dismounting them.

Do NOT disassemble the blades through the open feed dispensing window – danger of crushing the whole body.

TIP



The blades can be disassembled without unscrewing the blade base (3) – figure (5.13). The complete disassembly should be performed only in order to maintain the whole element or make a repair.

5.8 SHARPENING THE CUTTING BLADES

The cutting blades should be sharpened in grinding workshops which have proper tools for this type of work. Sharpening consists in grinding the factory-machined surface using a grindstone in such a manner as to achieve the angle of 22-23°. During sharpening, the blade must be very intensively cooled. Overheated blade must not be further used because the cutting edge hardness is reduced.

Sharpening the blades with an angle grinder is permissible. Take breaks when sharpening the blades with an angle grinder in order to cool down the knives. When sharpening the blades, pay attention to the colour of the blade edge so as not to overlook the tampering process.



The blade cutting edge should be checked at least every two weeks of the mixer feeder use.

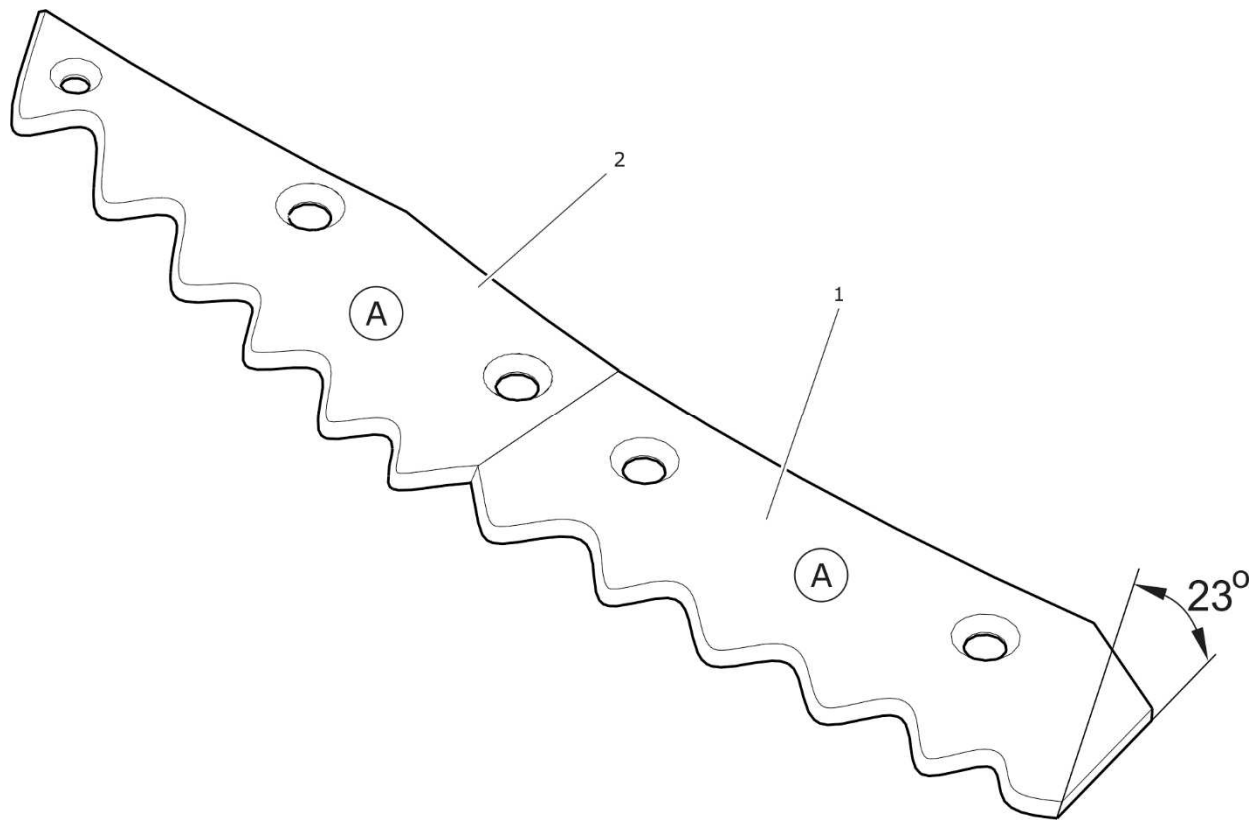


FIGURE 5.8 Blade sharpening principle

(1) cutting blade I, (2) cutting blade II, (A) upper blade surface

When sharpening the blades, pay special attention to the sharp edge of the cutting element. During this activity, use sufficiently thick gloves and safety goggles.



TIP

Properly sharpened blades shorten the feed preparation time and reduce fuel consumption.

5.9 ENTERING THE TANK

During the mixer feeder operation there is often a need to enter the tank in order to adjust or clean the tank and the auger mixer. This must be done with extreme caution because of the high risk of accident. In order to do this:

- ➔ immobilise tractor with parking brake, place chocks under the mixer feeder wheel,

- ➔ place securing chocks under the mixer feeder wheel,
- ➔ open the dispensing slide gate,
- ➔ turn off the tractor engine and remove the key from the ignition,
- ➔ secure tractor against unauthorised access,
- ➔ disconnect the slide gate hydraulic system conduits, disconnect PTO shaft connecting tractor and mixer feeder,
- ➔ prepare 2 sufficiently high ladders,
- ➔ lean one ladder against the top tank edge and put the other ladder into the tank; make certain that the ladders are standing firmly and will not move when climbing them up/down,
- ➔ enter the tank while exercising due caution and paying attention to protruding and sharp objects (cutting blades).

**DANGER**

Before entering the tank, make sure unauthorised persons do not have access to the tractor, disconnect PTO shaft, open the slide gate and disconnect hydraulic system conduits from the tractor.

When entering the tank, do not use the mixer feeder's platform and the chute opening because they are not designed for this purpose. When entering the tank, be careful not to stand on the blades.

**DANGER**

Exercise particular caution when entering the tank.

Entering the tank is possible only with the use of 2 ladders. Do NOT use the platform or chute opening for this purpose.

While entering the tank, the mixer feeder must be absolutely motionless.

5.10 CLEANING THE MIXER FEEDER

The mixer feeder tank together with the auger mixer and chute shields must be cleaned after each use and longer (several days) standstill of the mixer feeder. Other components should be cleaned as needed. Before using pressure washer the user is obliged to acquaint himself with the operating principles and recommendations concerning safe use of this equipment.

The mixer feeder cleaning guidelines

- Before cleaning the mixer feeder, open the tank slide gates. Carefully remove the remains of feed from the auger mixer (for example, blow out with compressed air).
- To wash the tank interior, the auger mixer and the chute shields, use clean running water only; in other cases you may use water with a cleaning detergent with neutral pH.
- Using pressure washer increases washing effectiveness, but particular care must be taken during work. During washing, washer nozzle may not be closer than 50 cm from the surface being cleaned.
- Water temperature should not exceed 55 °C.
- Do not direct a water jet directly at system elements and equipment of the mixer feeder i.e. control valve, braking force regulator, brake cylinders, pneumatic, electric and hydraulic plugs, lights, electrical connections, information and warning decals, identification plate, conduit connections and lubrication points etc. Great water jet pressure may damage these elements.
- For cleaning and maintenance of plastic coated surfaces it is recommended to use clean water or special preparations designed for this purpose.
- Do not apply organic solvents, preparations of unknown origin or other substances, which may cause damage to lacquered, rubber or plastic surfaces. In the event of doubt it is recommended to make a test on an unseen surface area.
- Surfaces smeared with oil or grease should be cleaned by application of benzene or other degreasing agents and then washed with clean water with added detergent. Comply with recommendations of the Manufacturer of cleaning agents.

- Detergents should be kept in original containers, optionally in replacement containers, but very clearly marked. Preparations may not be stored in food and drink containers.



DANGER

Carefully read the instructions for application of detergents and maintenance preparations.

While washing with detergents wear appropriate protective clothing and goggles protecting against splashing.

- Ensure cleanliness of elastic conduits and seals. The plastic from which these elements are made may be susceptible to organic substances and some detergents. As a result of long-term reaction of some substances, the ageing process may be accelerated and risk of damage increased. Rubber elements should be maintained with the aid of special preparations after previous thorough washing.
- Observe environmental protection principles and wash the mixer feeder in a place designed for this purpose.
- Cleaning and drying of the mixer feeder must take place at temperatures above 0 °C.

5.11 STORAGE

- Mixer feeder should be stored in a closed or roofed building.
- If the machine will not be used for a long time, it is essential to protect it from adverse weather, especially rust and accelerated tyre deterioration. During this time the machine must be unloaded. Mixer feeder should be very carefully washed and dried.
- Corroded places should be cleaned of rust, degreased and protected using undercoat paint and then painted with surface paint according to colour scheme.
- In the event of a prolonged work stoppage, it is essential to lubricate all components regardless of the date of the last lubrication.

- Wheel rims and tyres should be carefully washed and dried. During a longer storage of unused mixer feeder, it is recommended that every 2 to 3 weeks the machine should be moved a bit so that the place of contact of tyres with ground is changed. The tyres will not be deformed and maintain proper geometry. Also, air pressure in tyres should be inspected from time to time and, if necessary, pressure should be increased to appropriate value.
- PTO shafts should be stored in horizontal position.

5.12 TIGHTENING TORQUE FOR NUT AND BOLT CONNECTIONS

Unless other tightening parameters are given, during maintenance repair work apply appropriate torque to tighten nut and bolt connections. Recommended tightening torque for the most frequently used nut and bolt connections are given in table below. Given values apply to non-lubricated steel bolts.

TABLE 5.6 Tightening torque for nut and bolt connections

METRIC THREAD	5.8 ⁽¹⁾	8.8 ⁽¹⁾	10.9 ⁽¹⁾
	Md [Nm]		
M10	37	49	72
M12	64	85	125
M14	100	135	200
M16	160	210	310
M20	300	425	610
M24	530	730	1 050
M27	820	1 150	1 650
M30	1 050	1 450	2 100

⁽¹⁾ – strength class according to DIN ISO 898 standard

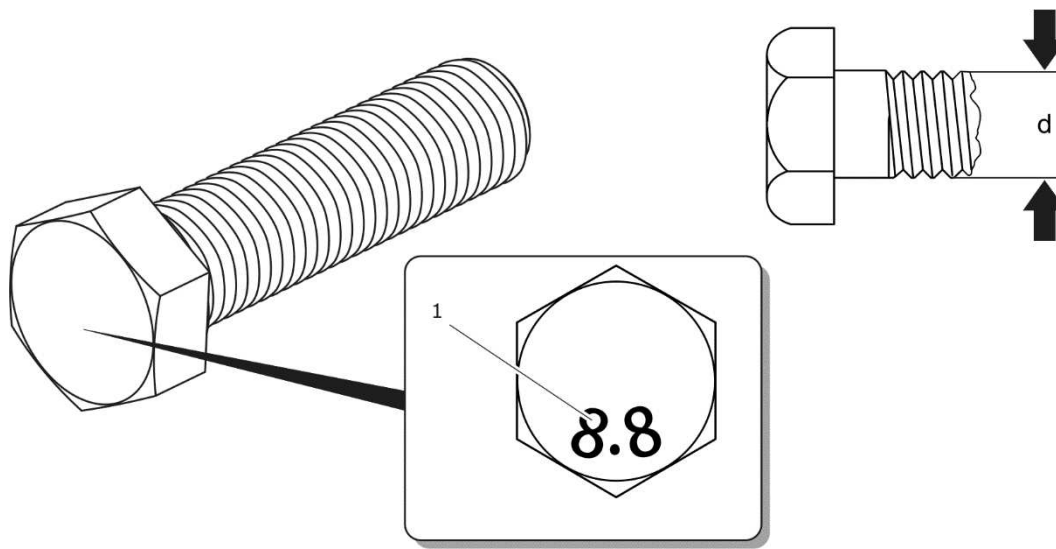


FIGURE 5.9 Bolt with metric thread

(1) strength class, (d) thread diameter



TIP

Hydraulic conduits should be tightened using torque of 50 – 70 Nm.

5.13 TROUBLESHOOTING

TABLE 5.7 Troubleshooting

FAULT	CAUSE	REMEDY
Noise in axle hubs	Excessive bearing slackness	Check slackness and adjust if needed
	Damaged bearings	Replace bearings
	Damaged hub parts	Replace
Incorrect hydraulic system operation	Improper hydraulic oil viscosity	Check oil quality, make sure that the oil in both machines is of the same type. If necessary change oil in tractor or in the mixer feeder

FAULT	CAUSE	REMEDY
	Insufficient tractor hydraulic pump output, damaged tractor hydraulic pump.	Check tractor hydraulic pump.
	Damaged or contaminated cylinder	Check cylinder piston rod (bending, corrosion), check cylinder for tightness (cylinder piston rod seal), if necessary, repair or replace the cylinder.
	Excessive cylinder loading	Check and reduce cylinder load, if necessary
	Damaged hydraulic conduits	Check and make certain that hydraulic conduits are tight, not fractured and properly tightened. If necessary, replace or tighten.
Reduction gear heats up	Insufficient amount of oil in the gear	Check oil level in the expansion tank and in the gear. Add oil to the required level.
	Excessive load of auger mixer	Load smaller portions of material into the tank
	Mechanical damage	Repair the gear.
Too low rotation speed of auger mixer	Excessive load of auger mixer	Load smaller portions of material into the tank
	Damaged overload clutch in the mixer feeder's drive system	Repair the clutch or change the shaft.

FAULT	CAUSE	REMEDY
	Damaged planetary gear or two-speed reduction gear	Repair the gear.
	Wrong setting of the two-speed reduction gear speed	Check the position of the transmission speed change lever

NOTES

A series of horizontal dotted lines for writing notes.



ANNEX A

TYRES	WHEEL RIM
10.0/75-15.3 10PR	9.00x15.3"