



PRONAR Sp. z o.o.

17-210 NAREW, UL. MICKIEWICZA 101A, PODLASKIE PROVINCE

phone:	+48 085 681 63 29	+48 085 681 64 29
	+48 085 681 63 81	+48 085 681 63 82
fax:	+48 085 681 63 83	+48 085 682 71 10

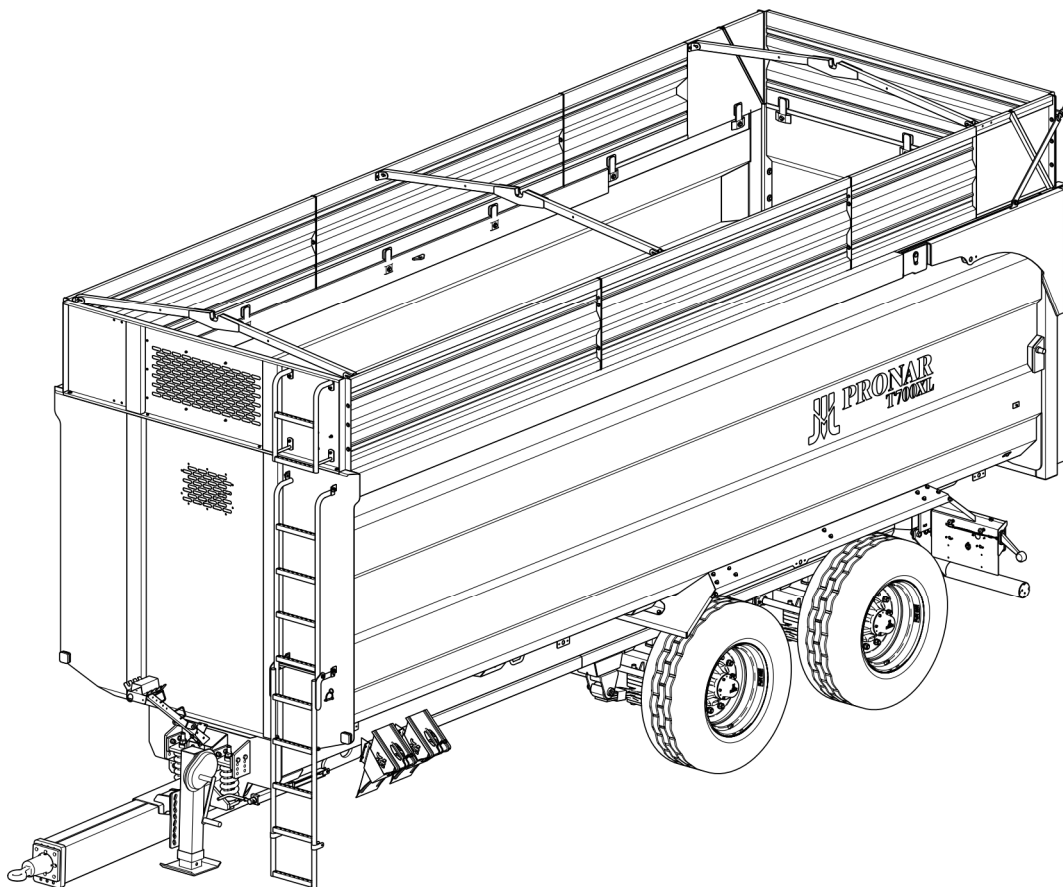
www.pronar.pl

OPERATOR'S MANUAL

AGRICULTURAL TRAILER

PRONAR T700XL

TRANSLATION OF THE ORIGINAL COPY OF THE MANUAL



ISSUE 1A-09-2016

PUBLICATION NO 538N-0000000-UM



INTRODUCTION

Information contained herein is current at date of publication. As a result of improvements, some numerical values and illustrations contained in this publication may not correspond to the factual specification of the machine supplied to the user. The manufacturer reserves the right to introduce design changes in machines produced that facilitate operation and improve the quality of their work, without making minor amendments to this Operator's Manual.

This Operator's Manual is an integral part of the machine's documentation. Before using the machine, the user must carefully read this Operator's Manual and observe all recommendations. This guarantees safe operation and ensures malfunction free work of the machine. The machine is designed to meet obligatory standards, documents and legal regulations currently in force.

The manual describes the basic safety rules and operation of agricultural trailer Pronar T700XL. If the information contained in the Operator's Manual needs clarification then the user should refer for assistance to the sale point where the machine was purchased or to the Manufacturer.

MANUFACTURER'S ADDRESS:

*PRONAR Sp. z o.o.
ul. Mickiewicza 101A
17-210 Narew*

CONTACT TELEPHONES

<i>+48 085 681 63 29</i>	<i>+48 085 681 64 29</i>
<i>+48 085 681 63 81</i>	<i>+48 085 681 63 82</i>

SYMBOLS APPEARING IN THIS OPERATOR'S MANUAL

Information, descriptions of danger and precautions and also recommendations and prohibitions associated with user safety instructions are marked:



and also preceded by the word "**DANGER**". Failure to observe the instructions may endanger the machine operator's or other person's health or life.

Particularly important information and instructions, the observance of which is essential, are distinguished in the text by the sign:



and also preceded by the word "**IMPORTANT**". Failure to observe the instructions may lead to damage to the machine as a result of improper operation, adjustment or use.

In order to focus the user's attention on the need to perform maintenance, the relevant section of the Operator's Manual is marked with the pictogram:



Additional tips and advice for machine operation are marked:



and also preceded by the word „**TIP**”.

DIRECTIONS USED IN THIS OPERATOR'S MANUAL

Left side – side to the left hand of the operator facing in the direction of machine's forward travel.

Right side – side to the right hand of the operator facing in the direction of machine's forward travel.

REQUIRED SERVICE ACTIONS

Service actions described in the manual are marked: ➡

Result of service/adjustment actions or comments concerning the performance of actions are marked: ⇨



PRONAR Sp. z o.o.

ul. Mickiewicza 101 A
17-210 Narew, Polska

tel./fax (+48 85) 681 63 29, 681 63 81, 681 63 82,
681 63 84, 681 64 29

fax (+48 85) 681 63 83

<http://www.pronar.pl>

e-mail: pronar@pronar.pl

EC DECLARATION OF CONFORMITY OF THE MACHINERY

PRONAR Sp. z o.o. declares with full responsibility, that the machine:

Description and identification of the machinery	
Generic denomination and function:	AGRICULTURAL TRAILER
Type:	T700XL
Model:	-----
Serial number:	
Commercial name:	AGRICULTURAL TRAILER T700XL

to which this declaration relates, fulfills all the relevant provisions of the Directive **2006/42/EC** of The European Parliament and of The Council of 17 May 2006 on machinery, and amending Directive 95/16/EC (Official Journal of the EU, L 157/24 of 09.06.2006).

The person authorized to compile the technical file is the Head of Research and Development Department at PRONAR Sp. z o.o., 17-210 Narew, ul. Mickiewicza 101A, Poland.

This declaration relates exclusively to the machinery in the state in which it was placed on the market, and excludes components which are added and/or operations carried out subsequently by the final user.

Narew, the _____

Place and date

Z-CIA DYREKTORA
d/s technicznych
członk zarządu

Roman Omelianiuk

*Full name of the empowered person
position, signature*

CONTENTS

1 BASIC INFORMATION	1.1
1.1 IDENTIFICATION	1.2
1.1.1 TRAILER IDENTIFICATION	1.2
1.1.2 AXLE IDENTIFICATION	1.3
1.1.3 LIST OF FACTORY NUMBERS	1.4
1.2 INTENDED USE	1.5
1.3 EQUIPMENT	1.8
1.4 TERMS & CONDITIONS OF WARRANTY	1.9
1.5 TRANSPORT	1.10
1.5.1 TRANSPORT ON VEHICLE	1.10
1.5.2 INDEPENDENT TRANSPORT BY THE USER	1.12
1.6 ENVIRONMENTAL HAZARDS	1.13
1.7 WITHDRAWAL FROM USE	1.14
2 SAFETY ADVICE	2.1
2.1 BASIC SAFETY RULES	2.2
2.1.1 USE OF TRAILER	2.2
2.1.2 HITCHING AND DISCONNECTING FROM TRACTOR	2.3
2.1.3 HYDRAULIC SYSTEM AND PNEUMATIC SYSTEM	2.3
2.1.4 LOADING AND UNLOADING	2.4
2.1.5 TRANSPORTING THE MACHINE	2.6
2.1.6 TYRES	2.9
2.1.7 MAINTENANCE	2.9
2.2 DESCRIPTION OF RESIDUAL RISK	2.12
2.3 INFORMATION AND WARNING DECALS	2.13

3 DESIGN AND OPERATION	3.1
3.1 TECHNICAL SPECIFICATION	3.2
3.2 TRAILER CONSTRUCTION	3.3
3.2.1 CHASSIS	3.3
3.2.2 LOAD BOX	3.5
3.2.3 MAIN BRAKE	3.6
3.2.4 EMERGENCY BRAKE	3.10
3.2.5 PARKING BRAKE	3.11
3.2.6 HYDRAULIC TIPPING SYSTEM	3.12
3.2.7 HYDRAULIC SYSTEM OF THE SUPPORT (OPTION)	3.14
3.2.8 TAILGATE HYDRAULIC SYSTEM	3.15
3.2.9 LIGHTING SYSTEM	3.17
4 CORRECT USE	4.1
4.1 PREPARING THE TRAILER FOR WORK	4.2
4.1.1 PRELIMINARY INFORMATION	4.2
4.1.2 HAND-OVER AND INSPECTION OF THE TRAILER AFTER DELIVERY	4.2
4.1.3 PREPARING THE TRAILER FOR THE FIRST USE, TEST RUN OF THE TRAILER	4.3
4.1.4 PREPARING THE TRAILER FOR NORMAL USE	4.5
4.2 HITCHING THE TRAILER TO TRACTOR AND UNHITCHING THE TRAILER FROM TRACTOR	4.5
4.2.1 TELESCOPIC SUPPORT OPERATION	4.10
4.3 LOADING AND SECURING LOAD	4.11
4.3.1 GENERAL INFORMATION ABOUT LOADING	4.11
4.4 TRANSPORTING LOADS	4.18
4.5 UNLOADING	4.20
4.6 PROPER USE AND MAINTENANCE OF TYRES	4.22

5	MAINTENANCE	5.1
5.1	PRELIMINARY INFORMATION	5.2
5.2	MAINTENANCE OF BRAKES AND AXLES	5.2
5.2.1	PRELIMINARY INFORMATION	5.2
5.2.2	INITIAL INSPECTION OF AXLE BRAKES	5.3
5.2.3	CHECKING BRAKE SHOE LININGS FOR WEAR	5.4
5.2.4	CHECKING WHEEL AXLE BEARINGS FOR SLACKNESS	5.5
5.2.5	ADJUSTMENT OF SLACKNESS OF WHEEL AXLE BEARINGS	5.7
5.2.6	MOUNTING AND DISMOUNTING WHEEL, INSPECTION OF WHEEL NUT TIGHTENING.	5.8
5.2.7	CHECKING AIR PRESSURE IN TYRES, EVALUATING TECHNICAL CONDITION OF TYRES AND STEEL WHEELS	5.10
5.2.8	MECHANICAL BRAKES ADJUSTMENT	5.11
5.2.9	CHANGE OF PARKING BRAKE CABLE AND ADJUSTMENT OF CABLE TENSION.	5.17
5.3	PNEUMATIC SYSTEM MAINTENANCE	5.20
5.3.1	PRELIMINARY INFORMATION	5.20
5.3.2	CHECKING AIR TIGHTNESS AND VISUAL INSPECTION OF PNEUMATIC SYSTEM	5.21
5.3.3	CLEANING THE AIR FILTERS	5.23
5.3.4	DRAINING WATER FROM AIR TANK	5.24
5.3.5	CLEANING THE DRAIN VALVE	5.25
5.3.6	CLEANING AND MAINTAINING PNEUMATIC CONDUIT CONNECTIONS AND PNEUMATIC SOCKETS	5.26
5.3.7	REPLACEMENT OF PNEUMATIC CONDUIT	5.26
5.4	HYDRAULIC SYSTEM MAINTENANCE	5.28
5.4.1	PRELIMINARY INFORMATION	5.28
5.4.2	CHECKING HYDRAULIC SYSTEM TIGHTNESS	5.28
5.4.3	CHECKING TECHNICAL CONDITION OF HYDRAULIC CONNECTIONS AND SOCKETS.	5.29
5.4.4	REPLACEMENT OF HYDRAULIC CONDUITS	5.30

5.5	MAINTENANCE OF ELECTRICAL SYSTEM AND WARNING ELEMENTS	5.30
5.5.1	PRELIMINARY INFORMATION	5.30
5.5.2	CHANGING BULBS	5.31
5.6	TRAILER LUBRICATION	5.31
5.7	MAINTENANCE OF SUSPENSION SYSTEM	5.36
5.8	CONSUMABLES	5.38
5.8.1	HYDRAULIC OIL	5.38
5.8.2	LUBRICANTS	5.39
5.9	CLEANING THE TRAILER	5.40
5.10	STORAGE	5.41
5.11	TIGHTENING TORQUE FOR NUT AND BOLT CONNECTIONS	5.42
5.12	ADJUSTMENT OF DRAWBAR POSITION	5.43
5.13	TROUBLESHOOTING	5.45

SECTION

1

**BASIC
INFORMATION**

1.1 IDENTIFICATION

1.1.1 TRAILER IDENTIFICATION

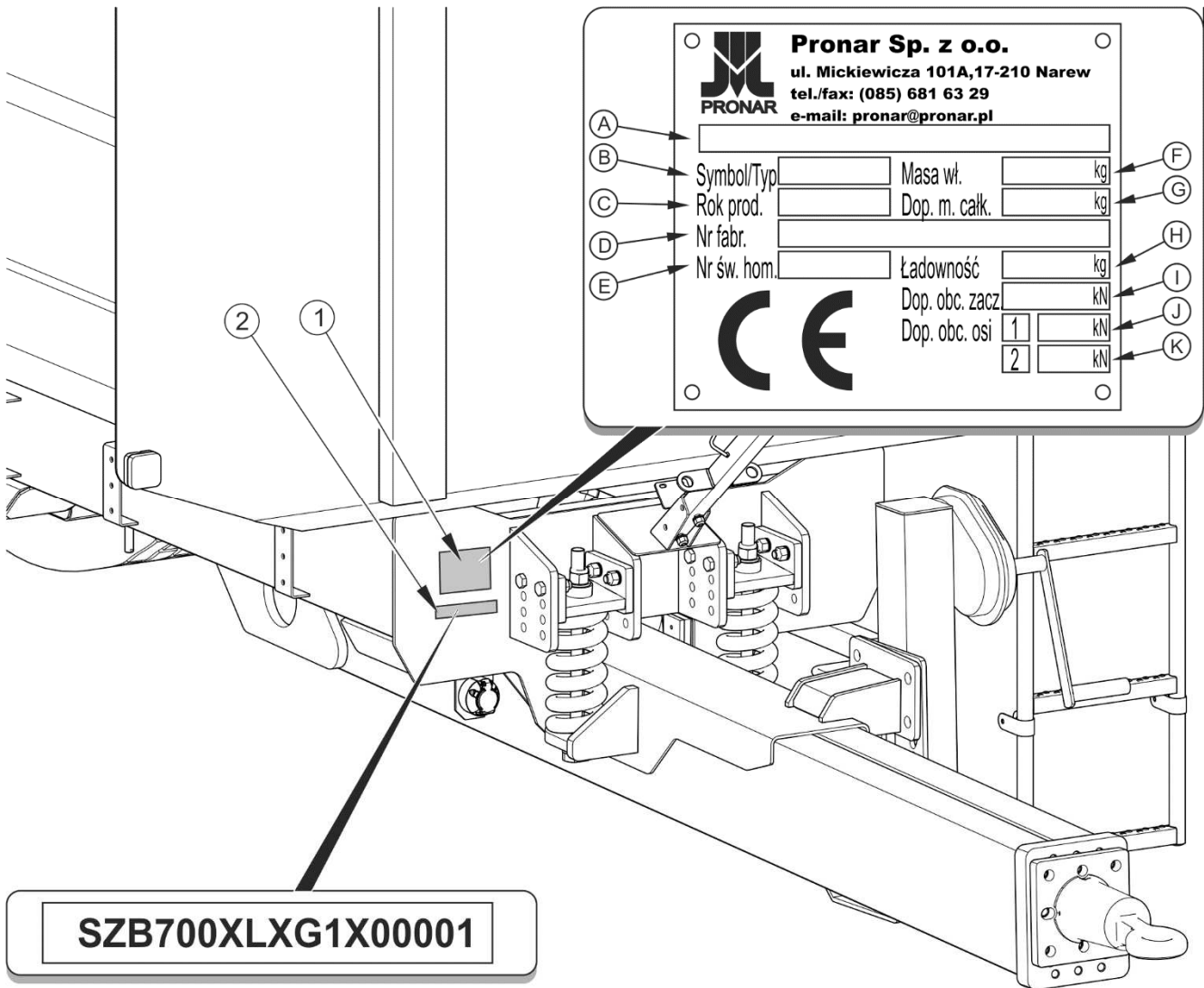


FIGURE 1.1 Location of the data plate and serial number

(1) data plate, (2) serial number

The trailer is marked with the data plate (1), and the serial number (2) located on a gold painted rectangle. The serial number and data plate are located on the front beam of the trailer lower chassis frame (1.1).

When buying the trailer check that the serial numbers on the machine agree with the number written in the *WARRANTY BOOK*, in the sales documents and in the *OPERATOR'S*

MANUAL. The meanings of the individual fields found on the data plate are presented in the table below:

TABLE 1.1 Markings on data plate

ITEM	MARK
A	General description and purpose
B	Symbol / type of trailer
C	Year of manufacture
D	Seventeen digit vehicle identification number (VIN)
E	Official certificate number
F	Tare weight
G	Maximum gross weight
H	Carrying capacity
I	Permissible hitching system loading
J	Permissible front axle load
K	Permissible rear axle load

1.1.2 AXLE IDENTIFICATION

The factory number of the axle and its type are stamped onto the data plate (2) secured to the axle beam (1) – figure (1.2).

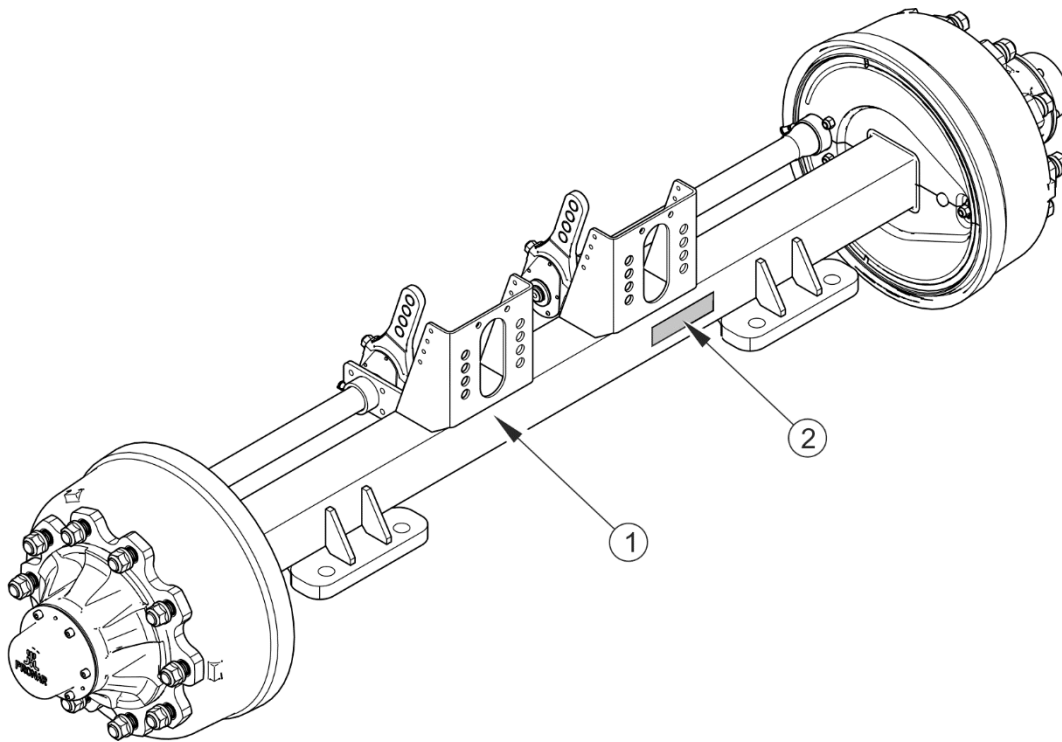



FIGURE 1.2 Location of the axle data plate

(1) axle, (2) data plate

1.1.3 LIST OF FACTORY NUMBERS

	<p>TIP</p> <p><i>In the event of ordering a replacement part or in the case of the appearance of problems it is often essential to give the factory numbers of parts or the VIN number of the trailer, therefore it is recommended that these numbers are inscribed in the spaces below.</i></p>
---	---

VIN

S	Z	B	7	0	0	X	L	X			X				
---	---	---	---	---	---	---	---	---	--	--	---	--	--	--	--

FRONT AXLE FACTORY NUMBER AND TYPE

REAR AXLE FACTORY NUMBER AND TYPE

1.2 INTENDED USE

The trailer is designed for transport of harvested crops and agricultural products as well as loose, bulk and long load materials at the farm and on public roads. It is acceptable to transport construction materials, mineral fertilisers and other loads, if fulfilling conditions indicated in section 4. Non-compliance with the recommendations of the carriage and loading of goods described by the Manufacturer and the road transport regulations in force in the country in which the trailer is used, shall void the warranty and is regarded as use of the machine contrary to its intended purpose.

The trailer is not intended or designed for transporting people, animals or goods classified as dangerous materials.

ATTENTION

The trailer must not be used for purposes other than those for which it is intended. The user MUST NOT:



- *transport people, animals, hazardous materials, chemically aggressive loads that will corrode the construction elements of the trailer (causing corrosion of steel, destruction of paint coat, dissolving plastic elements and destruction of rubber elements etc.),*
- *transport incorrectly secured load, which during travel may cause contamination of the road and natural environment,*
- *transport incorrectly secured load, which during travel may change position in load box,*
- *transport loads, whose centre of gravity may destabilise the trailer,*
- *transport loads, which have uneven load distribution and/or overload axles and suspension elements.*

The trailer is constructed according to current safety requirements and engineering standards. The brake system and the light and indicator system meet the requirements of road traffic regulations. The maximum speed of the trailer on public roads in Poland is 30 km/h (pursuant to Traffic Law Act of June 20th 1997, article 20). In the countries where the trailer is used, the limits stipulated by the road traffic legislation in force in a given country

must be observed. The trailer speed must not, however, be greater than the maximum design speed.

Using it as intended also involves all actions connected with the safe and proper operation and maintenance of the machine. Due to the above, the user is obliged to:

- carefully read the *OPERATOR'S MANUAL* of the trailer and the *WARRANTY BOOK* and conform with the recommendations contained in these documents,
- understand the trailer's operating principle and how to operate it safely and correctly,
- adhere to the established maintenance and adjustment plans,
- comply with general safety regulations while working,
- prevent accidents,
- comply with the road traffic regulations and transport regulations in force in a given country, in which the trailer is used,
- carefully read the Operator's Manual and comply with its recommendations,
- only hitch the trailer to an agricultural tractor, which fulfils all the requirements made by the trailer's Manufacturer.

The trailer may only be used by persons, who:

- are familiar with the contents of this publication and with the contents of the agricultural tractor Operator's Manual,
- have been trained in trailer operation and safe operation,
- have the required authorisation to drive and are familiar with the road traffic regulations and transport regulations.

TABLE 1.2 Agricultural tractor's requirements

CONTENTS	UNIT	REQUIREMENTS
Brake system - sockets		
Single conduit pneumatic system	-	according to A DIN 74 294
Double conduit pneumatic system	-	according to ISO 1728
Hydraulic system	-	according to ISO 7421-1
Pressure rating of the system		
Single conduit pneumatic system	bar	5.8 – 6.5
Double conduit pneumatic system	bar	6.5
Hydraulic system	bar / MPa	150 / 15
Hydraulic tipper system		
Hydraulic oil	-	L HL 32 Lotos ⁽¹⁾
Maximum system pressure	bar / MPa	200 / 20
Oil demand:	l	40
Electrical system		
Electrical system voltage	V	12
Connection socket	-	7-pole socket compliant with ISO 1724
Required tractor hitch		
Type	-	Transport hitch (upper or lower position)
Minimum static vertical load capacity (S)	kg	4,000
Other requirements		
Minimum tractor power	kW / Horsepower	100.5 / 136.7

⁽¹⁾ – use of other oil is permitted, on condition that it may be mixed with the oil in the trailer. Detailed information may be found on the product information card.

1.3 EQUIPMENT

Some standard equipment elements, which were listed in table (1.4), may not be present in the delivered trailer. This allows the possibility of ordering new machines with a different set of optional equipment, replacing standard equipment.

Information concerning tires is provided at the end of this publication in ANNEX A.

TABLE 1.3 Trailer's equipment

EQUIPMENT	STANDARD	ADDITIONAL	OPTIONS
The Operator's Manual	•		
Warranty Book	•		
Connection lead for the electrical system	•		
Wheel chocks	•		
Complete set of wall extensions (600)		•	
Mechanical support with transmission	•		
Hydraulic straight support			•
Hydraulic folding support			•
Rotating drawbar eye Ø50	•		
Ball drawbar eye K80.			•
Fixed drawbar eye Ø40			•
Rear chute		•	
Slow-moving vehicle warning sign		•	
Warning reflective triangle		•	

1.4 TERMS & CONDITIONS OF WARRANTY

PRONAR Sp. z o.o. Narew guarantees the reliable operation of the machine when it is used according to its intended purpose as described in the *OPERATOR'S MANUAL*. The repair period is specified in the *WARRANTY BOOK*.

The warranty does not cover those parts and sub-assemblies of the machine which are subject to wear in normal usage conditions, regardless of the warranty period. Consumables include the following parts/sub-assemblies:

- drawbar hitching eye,
- pneumatic system connector filters,
- tyres,
- brake shoes,
- bulbs and LED lamps,
- seals,
- bearings.

The warranty service only applies to such cases as: mechanical damage which is not the user's fault, factory defects of parts, etc.

In the event of damage arising from:

- mechanical damage which is the user's fault, road accidents,
- inappropriate use, adjustment or maintenance, use of the trailer for purposes other than those for which it is intended,
- use of damaged machine,
- repairs carried out by unauthorised persons, repairs carried out improperly,
- making unauthorised alterations to machine design,

the user will lose the right to warranty service.



TIP

Demand that the seller carefully and precisely fills out the Warranty Book and warranty repair coupons. A missing date of purchase or sale point stamp, may make the user ineligible for any warranty repair or refund.

The user is obliged to report immediately on noticing any wear in the paint coating or traces of corrosion, and to have the faults rectified whether they are covered by the warranty or not. For detailed Terms & Conditions of Warranty, please refer to the *WARRANTY BOOK* attached to each machine.

Modification of the trailer without the written consent of the Manufacturer is forbidden. In particular, do NOT weld, drill holes in, cut or heat the main structural elements of the machine, which have a direct impact on the machine operation safety.

1.5 TRANSPORT

The trailer is ready for sale completely assembled and does not require packing. Packing is only required for the machine's technical documentation and any extra fittings. The trailer is delivered to the user either transported on a vehicle or, after being attached to a tractor, independently (trailer towed with a tractor).

1.5.1 TRANSPORT ON VEHICLE

Loading and unloading of trailer from vehicle shall be conducted using loading ramp with the aid of an agricultural tractor. During work adhere to the general principles of Health and Safety at Work applicable to reloading work. Persons operating reloading equipment must have the qualifications required to operate these machines. The trailer must be properly connected with the tractor according to the requirements in this Operators Manual. The trailer braking system must be started and checked before driving off or onto ramp.

The trailer should be attached firmly to the platform of the vehicle using straps or chains fitted with a tightening mechanism. Securing elements should be attached to the transport catches designed for this purpose (1) – figure (1.3), permanent structural elements of the trailer (longitudinal and transverse frame sections etc.). Transport lugs are welded to the members of the load box (3), a pair on each side of the trailer, and marked with decals (8) - see table (2.1). Use certified and technically reliable securing measures. Worn straps, cracked securing catches, bent or corroded hooks as well as elements damaged in a different way may be unsuitable for use. Carefully read the information stated in the Operator's Manual for the given securing measure. Chocks, wooden blocks or other objects without sharp edges should be placed under the wheels of the trailer to prevent it from rolling. Trailer wheel blocks

must be nailed to the low platform planks of the vehicle or secured in another manner preventing their movement. The number of securing elements (cables, straps, chains and stay etc.) and the force necessary for their tensioning depends on a number of things, including weight of the trailer, the construction of vehicle carrying trailer, speed of travel and other conditions. For this reason it is impossible to define the securing plan precisely. A correctly secured trailer does not change its position with regard to the transport vehicle. The securing elements must be selected according to the guidelines of the Manufacturer of these elements. In case of doubt apply a greater number of securing straps in order to immobilise the trailer. If necessary, sharp edges of trailer should be protected at the same time protecting the securing straps from breaking during transport.

ATTENTION



When being road transported on a motor vehicle the trailer must be mounted on the vehicle's platform in accordance with the transport safety requirements and the regulations.

Driver of the vehicle should be particularly careful during travel. This is due to the vehicle's centre of gravity shifting upwards when loaded with the machine.

Use only certified and technically reliable securing measures. Carefully read the information contained in the Operator's Manuals for the given securing measures.

During reloading work, particular care should be taken not to damage parts of the machine's fittings or the lacquer coating. The tare weight of the trailer in condition ready for travel is given in table (3.1).



DANGER

Incorrect use of securing measures may cause an accident.

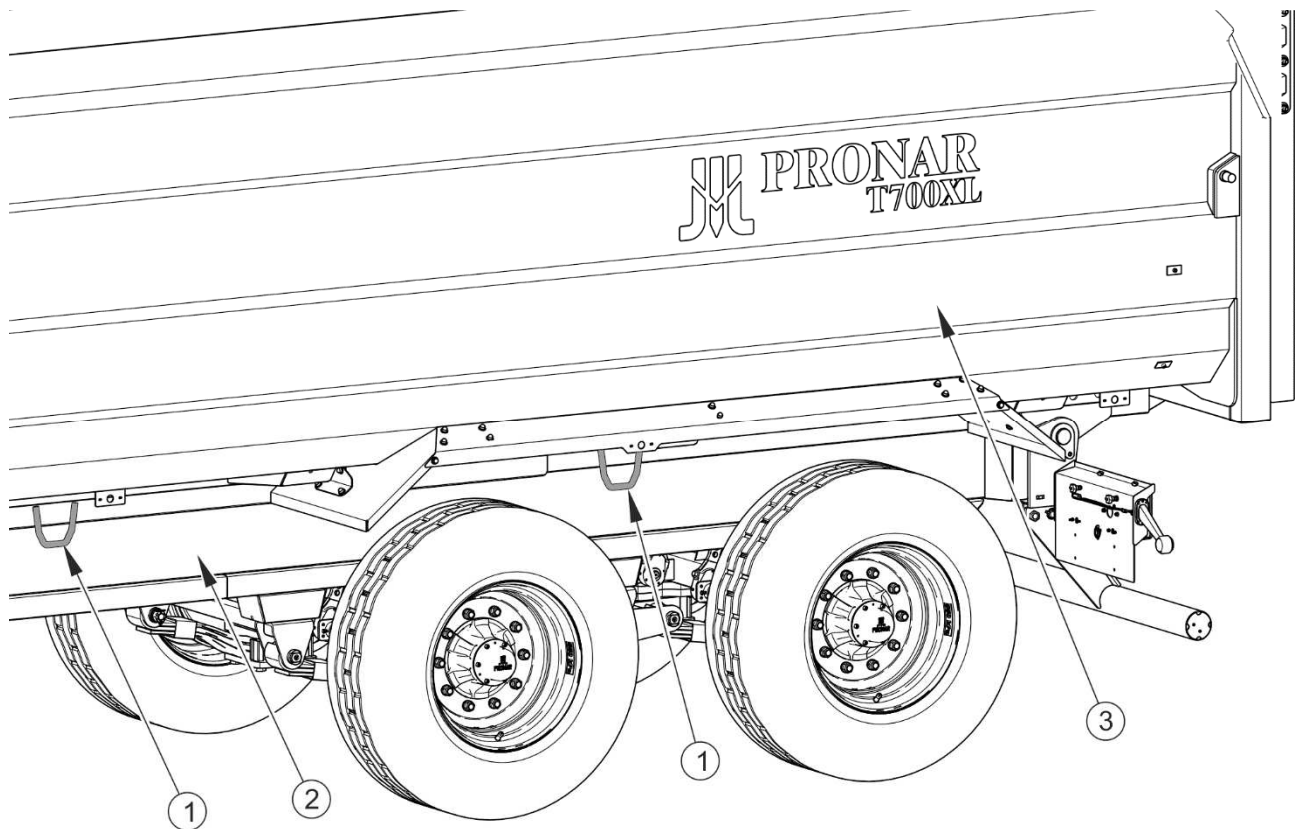


FIGURE 1.3 Positioning of transport lugs

(1) transport lug, (2) lower longitudinal frame, (3) load box

1.5.2 INDEPENDENT TRANSPORT BY THE USER

In the event of independent transport by the user after purchase of the trailer, the user must read the trailer Operator's Manual and adhere to the recommendations contained therein. Independent transport involves towing the trailer with own agricultural tractor to destination. During transport adjust travel speed to the prevailing road conditions, but do not exceed the maximum design speed.



ATTENTION

Before transporting independently, the tractor driver must carefully read this Operator's Manual and observe its recommendations.

1.6 ENVIRONMENTAL HAZARDS

A hydraulic oil leak constitutes a direct threat to the natural environment owing to its limited biodegradability. The negligible solubility of hydraulic oil in water does not cause extreme toxicity of organisms living in the aquatic environment. The formation of a film of oil on the water may be the direct cause of physical action on organism, perhaps causing change of oxygen values in the water because of lack of direct contact of air with the water. An oil leak into water reservoirs may however lead to a reduction of the oxygen content.

While carrying out maintenance and repair work, which involves the risk of an oil leak, this work should take place on an oil resistant floor or surface. In the event of oil leaking into the environment, first of all contain the source of the leak, and then collect the leaked oil using available means. Remaining oil should be collected using sorbents, or by mixing the oil with sand, sawdust or other absorbent materials. The oil pollution, once gathered up, should be kept in a sealed, marked, hydrocarbon resistant container. The container should be kept away from heat sources, flammable materials and food.



DANGER

Used hydraulic oil or gathered remains mixed with absorbent material should be stored in a precisely marked container. Do not use food packaging for this purpose.

Used oil or oil unsuitable for further use due to loss of its properties should be stored in its original packaging in the conditions described above. Waste oil should be taken to the appropriate facility dealing with the re-use of this type of waste. Waste code: 13 01 10. Detailed information concerning hydraulic oil may be found on the product's Material Safety Data Sheet.



TIP

The hydraulic system of the trailer is filled with L-HL32 Lotos hydraulic oil.



ATTENTION

Waste oil should only be taken to the appropriate facility dealing with the re-use of this type of waste. Do NOT throw or pour oil into sewerage or water tanks.

1.7 WITHDRAWAL FROM USE

In the event of decision by the user to withdraw the trailer from use, comply with the regulations in force in the given country concerning withdrawal from use and recycling of machines withdrawn from use. Before commencing dismantling, totally remove the oil from the hydraulic system and reduce air pressure completely in the pneumatic braking system (e.g. using air tank drain valve).

When spare parts are changed, worn out or damaged parts that cannot be reclaimed should be taken to a collection point for recyclable raw materials. Hydraulic oil should be taken to the appropriate facility dealing with the re-use of this type of waste.

DANGER



During dismantling, use the appropriate tools, equipment (overhead travelling crane, crane or hoist etc.) and use personal protection equipment, i.e. protective clothing, footwear, gloves and eye protection etc.

Avoid contact of skin with oil. Do not allow used hydraulic oil to spill.

SECTION

2

SAFETY ADVICE

2.1 BASIC SAFETY RULES

2.1.1 USE OF TRAILER

- Before using the trailer, the user must carefully read this Operator's Manual and the *WARRANTY BOOK*. When operating the machine, the operator must comply with all recommendations contained in the Operator's Manual.
- The trailer may only be used and operated by persons qualified to drive agricultural tractors and agricultural machines and trained in the use of the machine.
- If the information stated in the Operator's Manual is difficult to understand, contact a seller, who runs an authorised technical service on behalf of the Manufacturer, or contact the Manufacturer directly.
- Careless and improper use and operation of the trailer, and non-compliance with the recommendations given in this operator's manual is dangerous to your health.
- Be aware of the existence of a residual risk, and for this reason the fundamental basis for using this trailer should be the application of safety rules and sensible behaviour.
- The machine must never be used by persons who are not authorised to drive agricultural tractors, including children and people under the influence of alcohol, drugs or other abusive substances.
- Non-compliance with the safety rules of this Operator's Manual can be dangerous to the health and life of the operator and others.
- The trailer must not be used for purposes other than those for which it is intended. Anyone who uses the trailer for purposes other than those for which it is intended takes full responsibility for any consequences of this potentially improper use. Use of the machine for purposes other than those for which it is intended by the Manufacturer may invalidate the warranty.
- Assembly and disassembly of extension walls, the frame and tarpaulin cover, can only be carried out with the use of appropriate platforms, ladders or from a ramp. These fittings must be in good condition to fully protect the persons working on

them against falling. The above procedure should be performed by at least two persons.

- In the final phase of folding the tarpaulin cover, at all times hold with one hand the top of the front frame or other permanent structural element. Non-compliance with this rule can put the user at risk of falling.

2.1.2 HITCHING AND DISCONNECTING FROM TRACTOR

- Do NOT hitch the trailer to tractor if the tractor does not fulfil the requirements specified by the Manufacturer (minimum tractor power demand, wrong hitch, etc.) – compare table (1.2) *AGRICULTURAL TRACTOR REQUIREMENTS*. Before hitching trailer make certain that oil in external hydraulic system of tractor may be mixed with the hydraulic oil of the trailer.
- Before hitching trailer to tractor check that tractor and trailer are in good technical condition.
- To hitch the trailer to a tractor, use exclusively the tractor hitch for single axle trailers. After completing the hitching of the machines check the safety of the hitch Carefully read the tractor Operator's Manual. If the tractor is equipped with an automatic hitch, make certain that the coupling operation is completed.
- Be especially careful when hitching the machine.
- When hitching, there must be nobody between the trailer and the tractor.
- Do NOT proceed with disconnecting trailer from the tractor when load box is raised.
- Hitching and unhitching the trailer may only take place when the machine is immobilised with the parking brake.

2.1.3 HYDRAULIC SYSTEM AND PNEUMATIC SYSTEM

- When operating, the hydraulic and pneumatic systems are under high pressure.
- Regularly check the technical condition of the connections and the hydraulic and pneumatic conduits. There must no oil or air leaks.
- Cut-off valve in the hydraulic tipping system limits the tipping angle of the load box when tipped to the rear. The length of the control cable controlling this valve

is factory adjusted by the Manufacturer and must not be changed when the trailer is used.

- In the event of malfunction of the hydraulic or pneumatic system, do not use the trailer until the malfunction is corrected.
- When connecting the hydraulic conduits to the tractor, make sure that the hydraulic system of the tractor and the hydraulic system of the trailer are not under pressure. If necessary reduce residual pressure in the system.
- In the event of injuries being caused by pressurised hydraulic oil, contact a doctor immediately. Hydraulic oil may penetrate the skin and cause infections. In the event of contact of oil with eye, rinse with large quantity of water and in the event of the occurrence of irritation consult a doctor. In the event of contact of oil with skin wash the area of contact with water and soap. Do NOT apply organic solvents (petrol, kerosene).
- Use the hydraulic oil recommended by the Manufacturer.
- After changing the hydraulic oil, the used oil should be properly disposed of. Used oil or oil which has lost its properties should be stored in original containers or replacement containers resistant to action of hydrocarbons. Replacement containers must be clearly marked and appropriately stored.
- Do not store hydraulic oil in packaging designed for storing food or foodstuffs.
- Rubber hydraulic conduits must be replaced every 4 years regardless of their technical condition.

2.1.4 LOADING AND UNLOADING

- Unloading the trailer is done only by tipping the load box to the rear.
- Unloading and loading of trailer may only take place when the machine is positioned on level and hard surface and connected to tractor. Tractor and trailer must be placed to drive forwards.
- Loading and unloading work should be carried out by persons experienced in this type of work.

- The load must be arranged in such a way that it does not threaten the stability of the trailer and does not hinder driving.
- Do NOT drive with the load box raised.
- Ensure that during unloading / loading or raising the load box nobody is near the trailer. Before tipping load box ensure that there is visibility and make certain that there are no bystanders.
- The trailer is not intended for transporting people, animals or hazardous materials.
- Keep a safe distance from overhead electric power lines during unloading and when load box is raised.
- The arrangement of the load may not cause an overload on the axle of the trailer.
- Do NOT tip of the load box in windy conditions.
- When closing or opening the rear grain chute gate take particular care to avoid crushing fingers.
- Incorrect load distribution and overloading the machine may cause the trailer to tip over or cause damage to its components.
- Do NOT go or place hand between open tailgate and load box.
- If the load does not pour from the raised load box immediately cease unloading. The trailer may only be tipped again after removing the problem (sticking, wedging), which prevented the load from pouring.
- During winter, particular attention must be paid to loads which may freeze during transport. When tipping the load box with frozen load the trailer may become unstable and tip over.
- Do NOT raise the load box if there is any danger whatsoever that the box will tip over.
- Do NOT jerk the trailer forwards if load is bulky or reluctant to pour and does not unload.
- Do NOT climb on load box during loading and unloading.

- Lower the load box before proceeding to deal with a malfunction. If it is necessary to raise the load box then secure it against dropping with the aid of load box support. The load box may not be loaded, and the trailer must be connected to a tractor and secured with the aid of chocks and also immobilised with the parking brake.
- After completing unloading, ensure that the load box is empty.

2.1.5 TRANSPORTING THE MACHINE

- During travel on public roads comply with the road traffic regulations and transport regulations in force in a given country, in which the trailer is used.
- Do not exceed the permitted speed arising from road conditions and design limitations. Adjust travel speed to the prevailing road conditions, trailer load and road traffic regulations limits.
- The machine must NOT be left unsecured. Trailer disconnected from tractor must be immobilized with parking brake and protected against rolling with chocks.
- Before driving off make certain that the trailer is correctly hitched to the tractor.
- Chocks (1) should be placed only under one wheel (one in front of the wheel, the second behind the wheel - figure (2.1)).
- Do NOT move off or drive when load box is raised.
- Prior to moving off, check if the rear wall slide gate is secured. Make sure the tailgate is securely closed.
- Before using the trailer always check its technical condition, especially in terms of safety. In particular, check the technical condition of the hitch system, the axle system, the brake system, indicator lights and the connection elements of the hydraulic, pneumatic and electrical systems.
- Before driving off check that the parking brake is released, the braking force regulator is positioned in the proper position (applies to pneumatic systems with a manual three position regulator).
- The trailer is designed to operate on slopes up to 8° . Driving trailer across ground with steeper slopes may cause the trailer to tip over as a result of loss of stability.

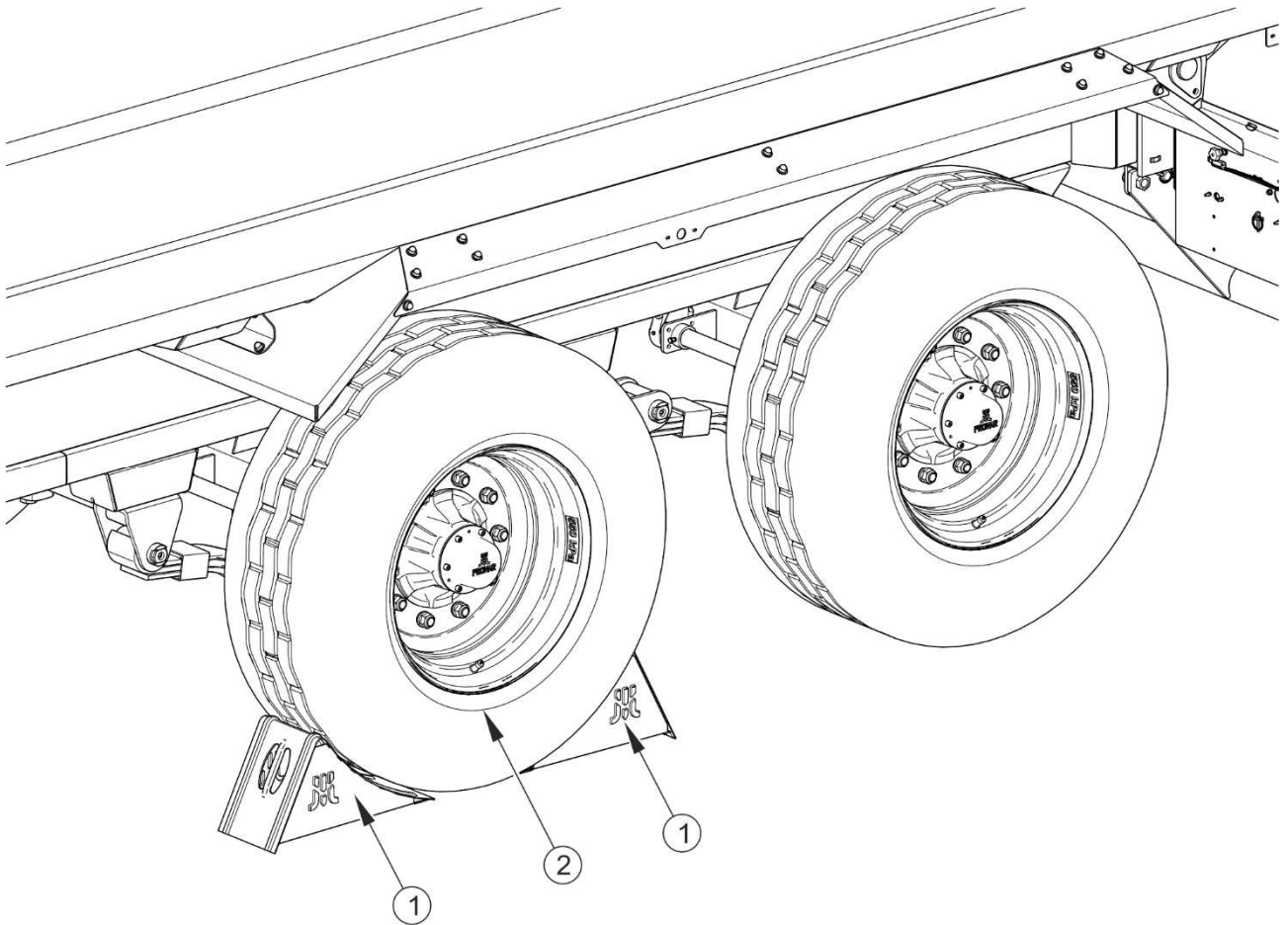


FIGURE 2.1 Method of placing chocks

(1) wheel chock, (2) axle wheel

- While driving on public roads the trailer must be fitted with a certified or authorised reflective warning triangle.
- Periodically drain water from the air tanks in pneumatic system. During frosts, freezing water may cause damage to pneumatic system components.
- Reckless driving and excessive speed may cause accidents.
- A load protruding beyond the outline of the trailer should be marked according to the road traffic regulations. Do NOT transport loads forbidden by the Manufacturer.
- Do NOT exceed the trailer's maximum carrying capacity. Exceeding the carrying capacity may lead to damage to the machine, loss of stability while driving, scattering of the load and danger while driving. The brake system is adjusted to

the gross weight of the trailer. Exceeding the weight limit causes drastic reduction of the main brake force.

- If the trailer is the last vehicle in the group, a slow-moving vehicle warning sign should be placed on the trailer's rear load box wall - figure (2.2). The warning sign (1) should be attached using the specifically prepared holder (2), riveted to the rear wall of the load box.
- Load must be uniformly distributed and it must not obstruct visibility or hinder driving. The load must be secured so that it cannot move or fall over.
- During reversing one should use the assistance of another person. During manoeuvring the person helping must stay at a safe distance from the danger zone and be visible all the time to the tractor driver.
- Do NOT attempt to board trailer while travelling.
- Do NOT park trailer on slope.

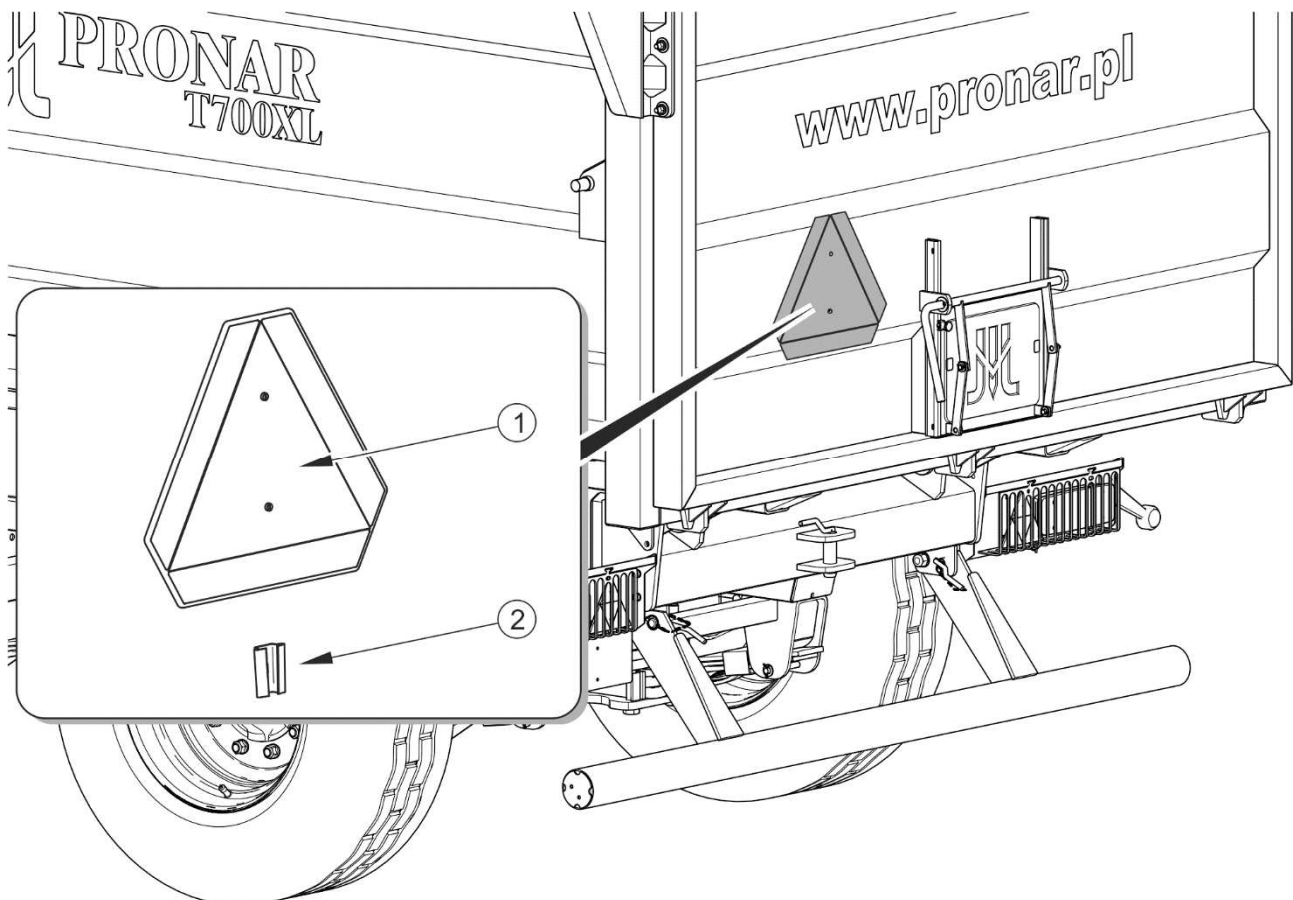


FIGURE 2.2 Mounting place for slow-moving vehicle warning sign

(1) slow-moving vehicle warning sign, (2) attachment point

2.1.6 TYRES

- When working with tyres, the trailer should be immobilised with parking brake and secured against rolling by placing chocks under wheel. Wheels can be taken off the trailer axle only when the trailer is not loaded.
- Repair work on the wheels or tyres should be carried out by persons trained and entitled to do so. This work should be carried out using appropriate tools.
- Inspect tightness of wheel nuts after the first use of the trailer, every 2 - 3 hours during first month of work and then every 30 hours of use (travel). The inspection should be repeated individually if a wheel has been removed from the wheel axle. Wheel nuts should be tightened according to recommendations provided in section 5 *MAINTENANCE*.
- Avoid potholes, sudden manoeuvres or high speeds when turning.
- Check the tyre pressure regularly. Pressure and tyres should be also checked during the whole day of intensive work. Please note that higher temperatures could raise tyre pressure by as much as 1 bar. At high temperatures and pressure, reduce load or speed. Do not release air from warm tyres to adjust the pressure or the tyres will be underinflated when temperatures return to normal.
- Protect tyre valves using suitable caps to avoid soiling.

2.1.7 MAINTENANCE

- During the warranty period, any repairs may only be carried out by Warranty Service authorised by the manufacturer. After the expiry of the warranty period it is recommended that possible repairs to the trailer be performed by specialised workshops.
- In the event of any fault or damage whatsoever, do not use the trailer until the fault has been fixed.
- During work use the proper, close-fitting protective clothing, gloves, protective goggles and appropriate tools.
- Any modification to the trailer frees the manufacturer from any responsibility for damage or detriment to health, which may arise as a result.

- The trailer can only be stood on when it is absolutely motionless and the tractor engine is switched off. Tractor and trailer should be immobilized with parking brake and chocks should be placed under the trailer wheels. Ensure that unauthorised persons do not have access to the tractor cab.
- Regularly check the condition of nut and bolt connections, in particular connections of drawbar eye with drawbar and wheel nuts.
- Regularly service machine according to schedule defined by Manufacturer.
- Before beginning work requiring raising of load box, it must be emptied and secured by supports to prevent accidental falling. The trailer must at this time be hitched to the tractor and secured with chocks and parking brake.
- Before beginning repair works on hydraulic or pneumatic systems reduce oil or air pressure completely.
- Servicing and repair work should be carried out in line with the general principles of workplace health and safety. In the event of injury, the wound must be immediately cleaned and disinfected. In the event of more serious injuries, seek a doctor's advice.
- Repair, maintenance and cleaning work should be carried out with the tractor engine turned off and the ignition key removed. Tractor and trailer should be immobilized with parking brake and chocks should be placed under the trailer wheels. Ensure that unauthorised persons do not have access to the tractor cab.
- During maintenance or repair work, the trailer may be unhitched from tractor, but it must be secured with chocks and parking brake. During this work the load box may not be raised.
- Should it be necessary to change individual parts, use only those parts indicated by the Manufacturer. Non-adherence to these requirements may put the user and other people's health and life at risk, and also damage the machine and invalidate the warranty.
- Before welding or electrical work, the trailer should be disconnected from the power supply. The paint coating should be cleaned. Burning paint fumes are poisonous for people and animals. Welding work should be carried out in a well lit and well ventilated space.

- During welding work pay attention to flammable or fusible elements (parts of the pneumatic, electric and hydraulic systems, plastic parts). If there is a risk that they will catch fire or be damaged, they should be removed or covered with non-flammable material before commencing welding work. Before beginning work, prepare a CO₂ or foam extinguisher.
- In the event of work requiring the trailer to be raised, use properly certified and technically sound hydraulic or mechanical lifts with proper lifting capacity. After lifting the machine, stable and durable supports must also be used. Work must not be carried out under a trailer, which has only been raised with a lift or jack.
- The lifting jack should have sufficient lifting capacity and should be technically reliable. The lifting jack must be positioned on a level and hard surface so as to prevent sinking into the ground or relocating the jack during lifting. If necessary, use proper backing plates in order to reduce unit pressure of the jack's base on the ground and prevent its sinking into the ground.
- The trailer must not be supported using fragile elements (bricks or concrete blocks).
- After completing work associated with lubrication, remove excess oil or grease. The trailer should be kept clean and tidy.
- Exercise caution when climbing on top of the load box. Climbing on top of the load box is possible using ladders installed on the front wall and wall extension and also steps attached inside the load box. Components not intended to aid access may not be used for this purpose. Before entering load box prevent trailer moving with parking brake and chocks.
- Do NOT make independent repairs of control valve, brake cylinders, tipping cylinder and braking force regulator. In the event of damage to these elements, repair should be entrusted to authorised service point or elements should be replaced with new ones.
- Do NOT make repairs to drawbar (straightening, pad welding or welding). A damaged drawbar must be replaced.
- Do NOT install additional appliances or fittings not according to the specifications defined by the Manufacturer.

- The trailer may only be towed when axles and wheels, lighting system and brakes are reliable.

2.2 DESCRIPTION OF RESIDUAL RISK

Pronar Sp. z o. o. in Narew has made every effort to eliminate the risk of accidents. There is, however, a certain residual risk, which could lead to an accident, and this is connected mainly with the actions described below:

- using the trailer for purposes other than those for which it is intended,
- being between the tractor and the trailer while the engine is running and when the machine is being attached,
- being on the machine when it operates,
- not maintaining safe distance during loading or unloading of trailer,
- operation of the trailer by persons under the influence of alcohol,
- making modifications to the machine without the consent of the Manufacturer,
- cleaning, maintenance and technical checks of the trailer,
- presence of persons or animals in areas invisible from the driver's position.

The residual risk may be kept to a minimum by following the recommendations below:


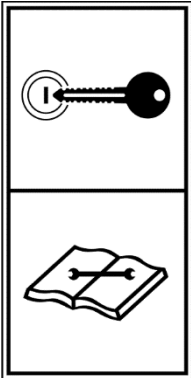

- operate the machine in prudent and unhurried manner,
- sensibly apply the remarks and recommendations contained in the Operator's Manual,
- maintain a safe distance from forbidden or dangerous places during unloading, loading and hitching trailer,
- carry out repairs and maintenance work in line with operating safety rules,
- repair and maintenance work should be carried out by persons trained to do so,
- use close fitting protective clothing and appropriate tools,
- ensure unauthorised persons have no access to the machine, especially children.
- maintain a safe distance from prohibited or dangerous places



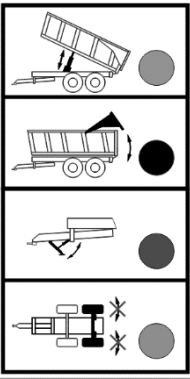
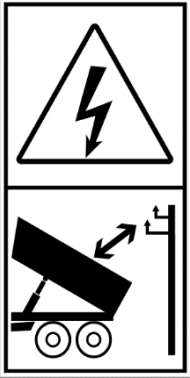
- a ban on being on the machine during travel, loading or unloading.



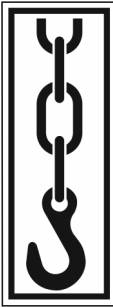


2.3 INFORMATION AND WARNING DECALS

The trailer is labelled with the information and warning decals mentioned in table (2.1). The symbols are positioned as presented in figure (2.3). Throughout the time it is in use, the user of the machine is obliged to take care that notices and warning and information symbols located on the trailer are clear and legible. In the event of their destruction, they must be replaced with new ones. Safety decals are available from your PRONAR dealer or directly from PRONAR customer service. New assemblies, changed during repair, must be labelled once again with the appropriate safety signs. During trailer cleaning do not use solvents which may damage the coating of information label stickers and do not subject them to strong water jets.

TABLE 2.1 Information and warning decals

NO.	DECAL	MEANING
1		Trailer version. 538N-00000001
2		Before beginning servicing or repairs, turn off tractor engine and remove key from ignition. Ensure that unauthorised persons do not have access to the tractor cab. 70RPN-00.00.00.05
3		Grease the trailer according to the recommendations in the Operator's Manual 104RPN-00.00.00.04

NO.	DECAL	MEANING
4		<p>Regularly check if the nuts and bolts fixing the wheels and other components are properly tightened.</p> <p>104RPN-00.00.00.06</p>
5		<p>Caution!</p> <p>Before starting work, carefully read the Operator's Manual.</p> <p>70RPN-00.00.00.04</p>
6		<p>Conduit functions.</p> <p>Load box tipping Plug cap - blue</p> <p>Raising/lowering the tailgate Plug cap - black</p> <p>Hydraulic support Plug cap – red</p> <p>Rear axle lock Plug cap – green</p> <p>58RPN-00.00.041</p>
7		<p>Caution! Danger of electric shock.</p> <p>Keep a safe distance from overhead electric power lines during unloading.</p> <p>58RPN-00.00.020</p>

NO.	DECAL	MEANING
8		<p>Danger of crushing</p> <p>Do NOT perform any maintenance or repairs on the load box that is loaded, raised or not supported.</p> <p>58RPN-00.00.012</p>
9		<p>Danger of crushing</p> <p>Maintain a safe distance during opening and closing the tailgate.</p> <p>58RPN-00.00.013</p>
10		<p>Transport decal Securing points for the transport</p> <p>58RPN-00.00.019</p>
11		<p>Air pressure in the tyres. ⁽¹⁾</p>
12		<p>Manufacturer's website</p> <p>62RPN-00.00.014</p>

⁽¹⁾ – pressure value should be adapted to tyres

Numbers in the item column correspond to labels in figure (2.3)

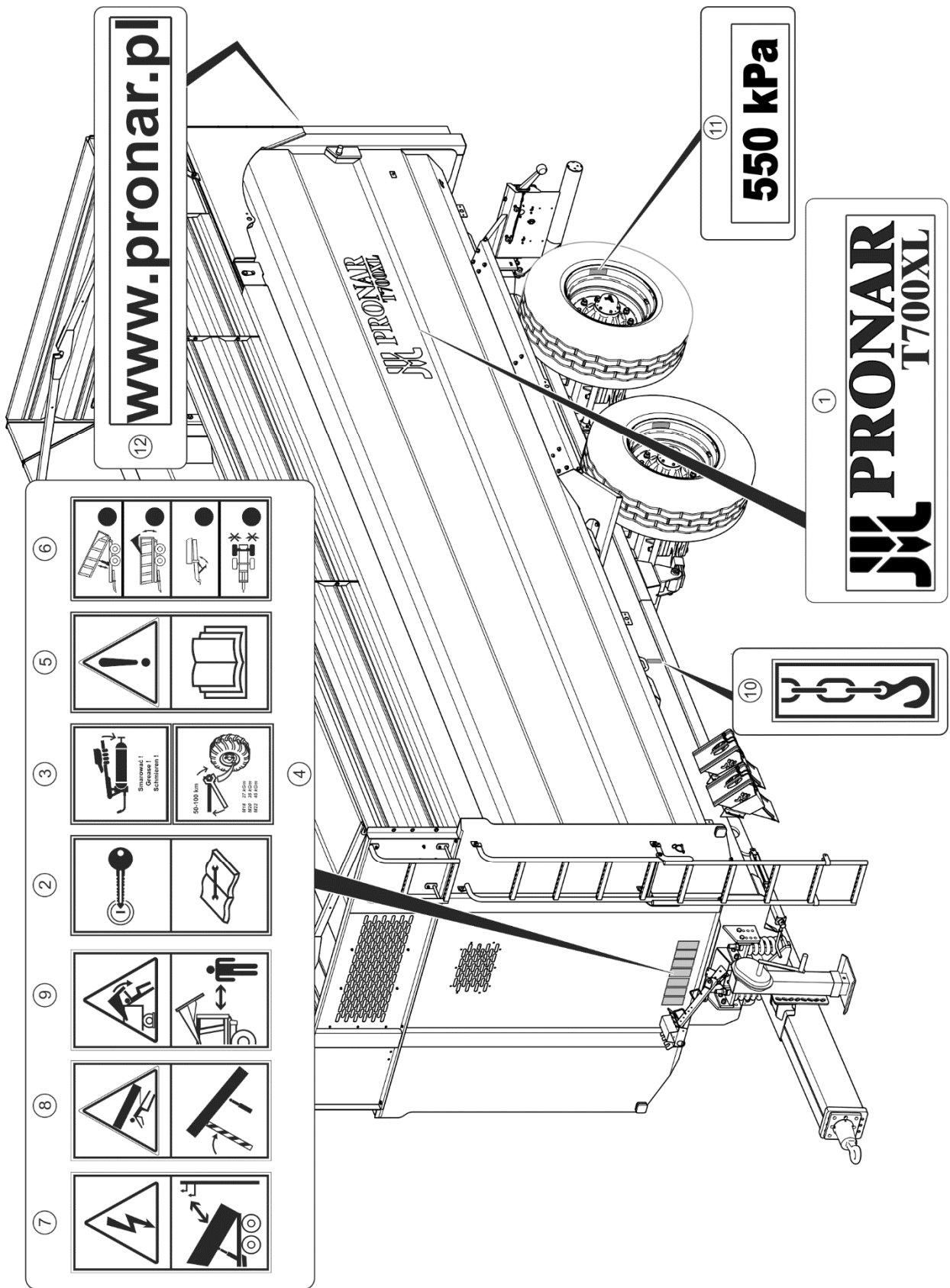


FIGURE 2.3 Locations of information and warning decals

SECTION

3

**DESIGN AND
OPERATION**

3.1 TECHNICAL SPECIFICATION

TABLE 3.1 Basic technical specification

CONTENTS	UNIT	T700XL
Trailer dimensions		
Total length	mm	8,520
Total width	mm	2,550
Total height	mm	3,040
Internal load box dimensions		
Length	mm	6,700
Width (front/rear)	mm	2,240 / 2,300
Height	mm	1,750 + 600
Weight and carrying capacity		
Tare weight	kg	6,000
Maximum gross weight	kg	24,000
Maximum carrying capacity	kg	18,000
Other information		
Wheel track	mm	1,960
Maximum drawbar load	kg	4,000
Cargo capacity (with 600 mm wall extensions)	m ³	35.7
Cargo capacity (no wall extensions)	m ³	26.6
Load surface	m ²	13.7
Lift of load surface	mm	1,290
Load box tipping angle - to the rear	(°)	55
Electrical system voltage	V	12
Hydraulic oil demand	l	40
Tractor power demand	kW / Horsepower	136.7 / 100.5
Maximum design speed	km/h	40
Noise emission level	dB	below 70

Information concerning tires is provided at the end of this publication in *ANNEX A*.

3.2 TRAILER CONSTRUCTION

3.2.1 CHASSIS

Trailer chassis consists of subassemblies indicated in figure (3.1). Lower frame (1) is a structure welded from steel sections. The main support elements of the frame are two longitudinal members connected with crossbars. Parking brake crank mechanism (13) is located on the left longitudinal member at the front of the frame.

In the middle section there are sockets used for mounting the tipping cylinder (5). Load box support (6) is mounted in front of the tipping cylinder. At the rear of the frame there is a beam with lugs serving as swivel points when tipping the load box to the rear. Below there is a fender (14). Lights support beams (7) are mounted on both sides at the rear of the frame.

Trailer suspension consists of two wheel axles (8), in a tandem arrangement, suspended on taper leaf springs (9) connected by rocker arm (10). Axles are secured to suspension springs using absorber plate and bolts. Axles are made from a bar terminated with pins, on which wheel hubs are mounted on cone bearings. The wheels are single and equipped with shoe brakes activated by mechanical cam expanders.

At the front of the frame, there is a drawbar with shock absorber (2) to which a drawbar eye is mounted (to choose from: rotating drawbar eye $\varnothing 50$ (11) or ball drawbar eye K80 (12)). The parking support with two-stage gear (3) is attached to the side of the drawbar. The support is used for supporting the trailer unhitched from the tractor. On customer request, the trailer can be equipped with a straight hydraulic support or hydraulic folding support.

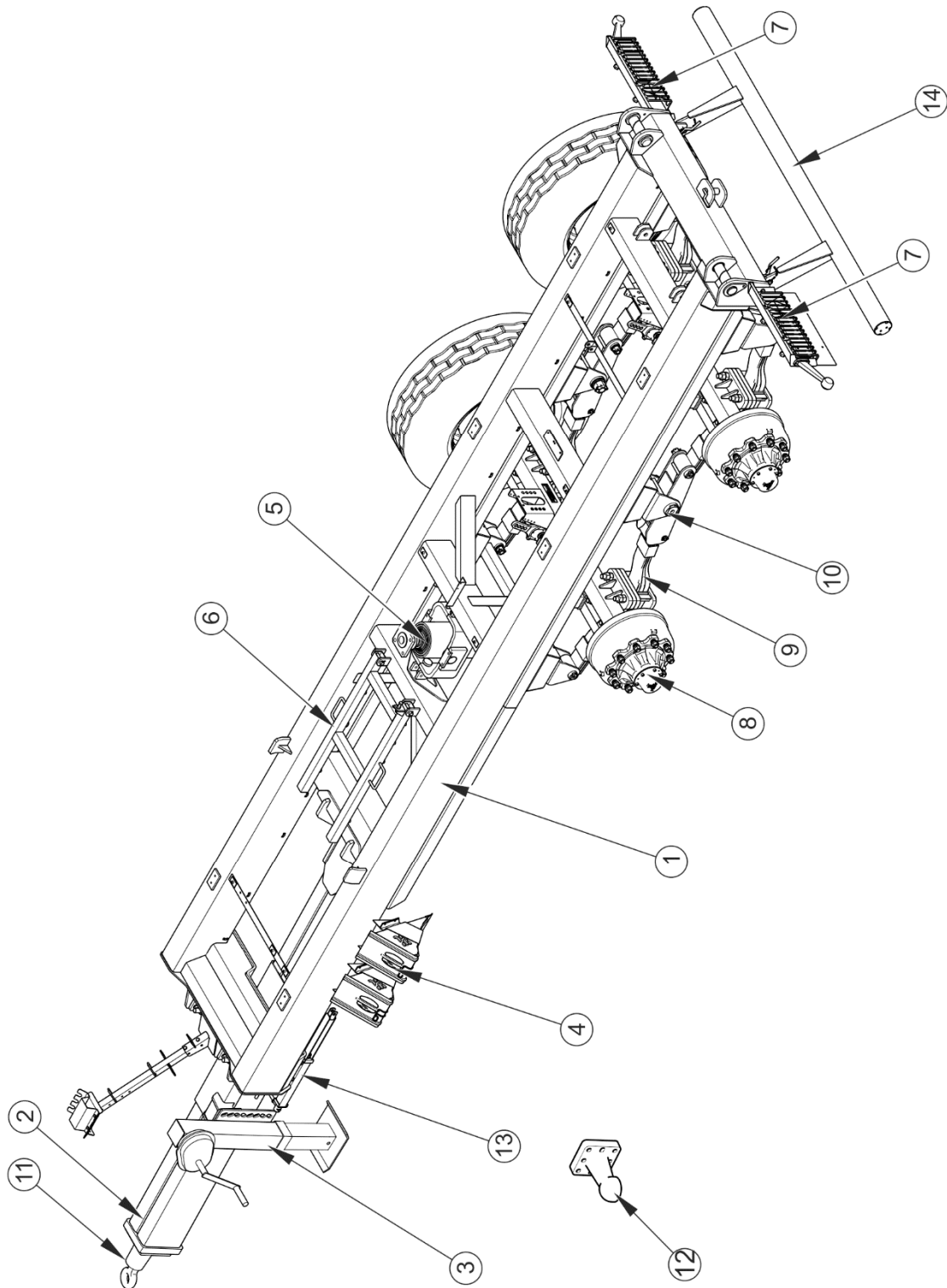


FIGURE 3.1 Trailer chassis

(1) lower frame, (2) drawbar, (3) parking support, (4) wheel chocks, (5) tipping cylinder, (6) load box support, (7) lights support beam, (8) wheel axle, (9) suspension spring, (10) tandem suspension spring rocker arm (11) - (12) drawbar eye, (13) parking brake mechanism, (14) rear bumper

3.2.2 LOAD BOX

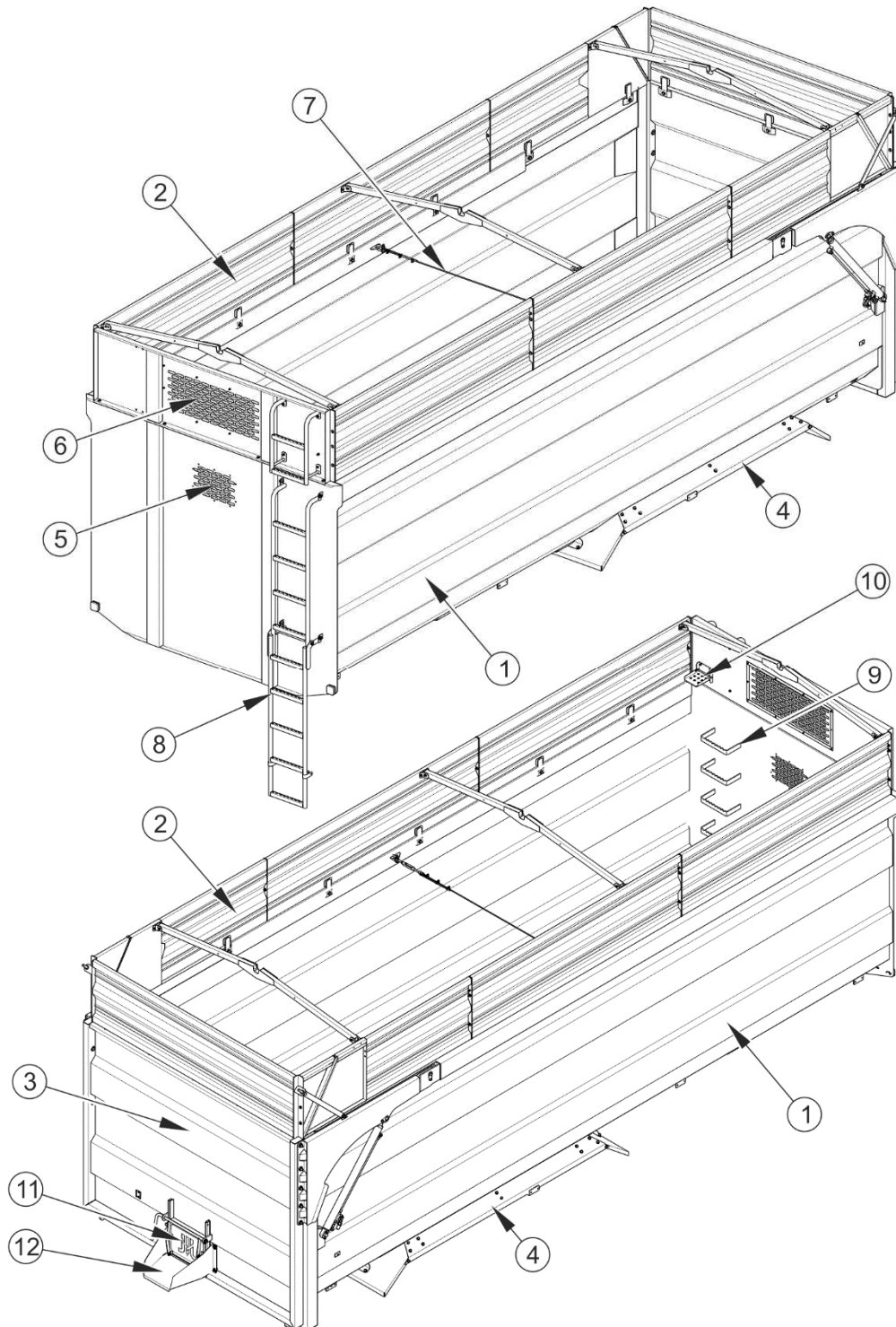


FIGURE 3.2 Load box

(1) load box, (2) wall extensions, (3) tailgate, (4) mudguard shields, (5) front wall window, (6) front wall extension window, (7) linking cable, (8) ladder, (9) load box steps, (10) wall extension step, (11) slide gate, (12) chute

Trailer load box (1) has a monocoque construction. It is made of steel plates and shapes. In the central part of the load box there is a linking cable. (7) In the front wall there is an inspection window protected with steel mesh (5). – figure (3.2)

The load box is mounted on the lower frame - Figure (3.1). The axis of rotation of the tilted load box is formed by the tipping pins located in the back of the lower frame. The trailer can be additionally equipped with a set of 600 mm-high wall extensions (2). In the front wall extension there is an inspection window protected with steel mesh (6). Folding ladder (8), wall extension step (10) and load box wall steps (11) facilitate access to the load box.

In the rear part of the load box there is tailgate (3) which is opened and closed using hydraulic cylinders. In order to enable more precise unloading of loose materials, a slide gate (11) is installed in the tailgate. A chute (12) mounted under the lower edge of the slide gate can be supplied as additional equipment of the trailer.

3.2.3 MAIN BRAKE

The trailer is equipped with one of four types of main brake:

- double conduit pneumatic system, figure (3.3),
- single conduit pneumatic system - figure (3.4),
- hydraulic brake system, figure (3.5).

The main brake (pneumatic or hydraulic brake) is activated from the tractor driver's cab by depressing the brake pedal. The function of the control valve (2) - figure (3.3), (3.4) is to activate the trailer's brakes simultaneously with the tractor's brakes. Furthermore, in case of an inadvertent disconnection of the conduit between the trailer and the tractor, the control valve will automatically activate the trailer's brakes. The valve is equipped with a brake applying button to be used when the trailer is disconnected from the tractor (see figure (3.6)). When compressed air conduit is connected to the tractor, the device automatically applying the brakes changes its position to allow normal brake operation.

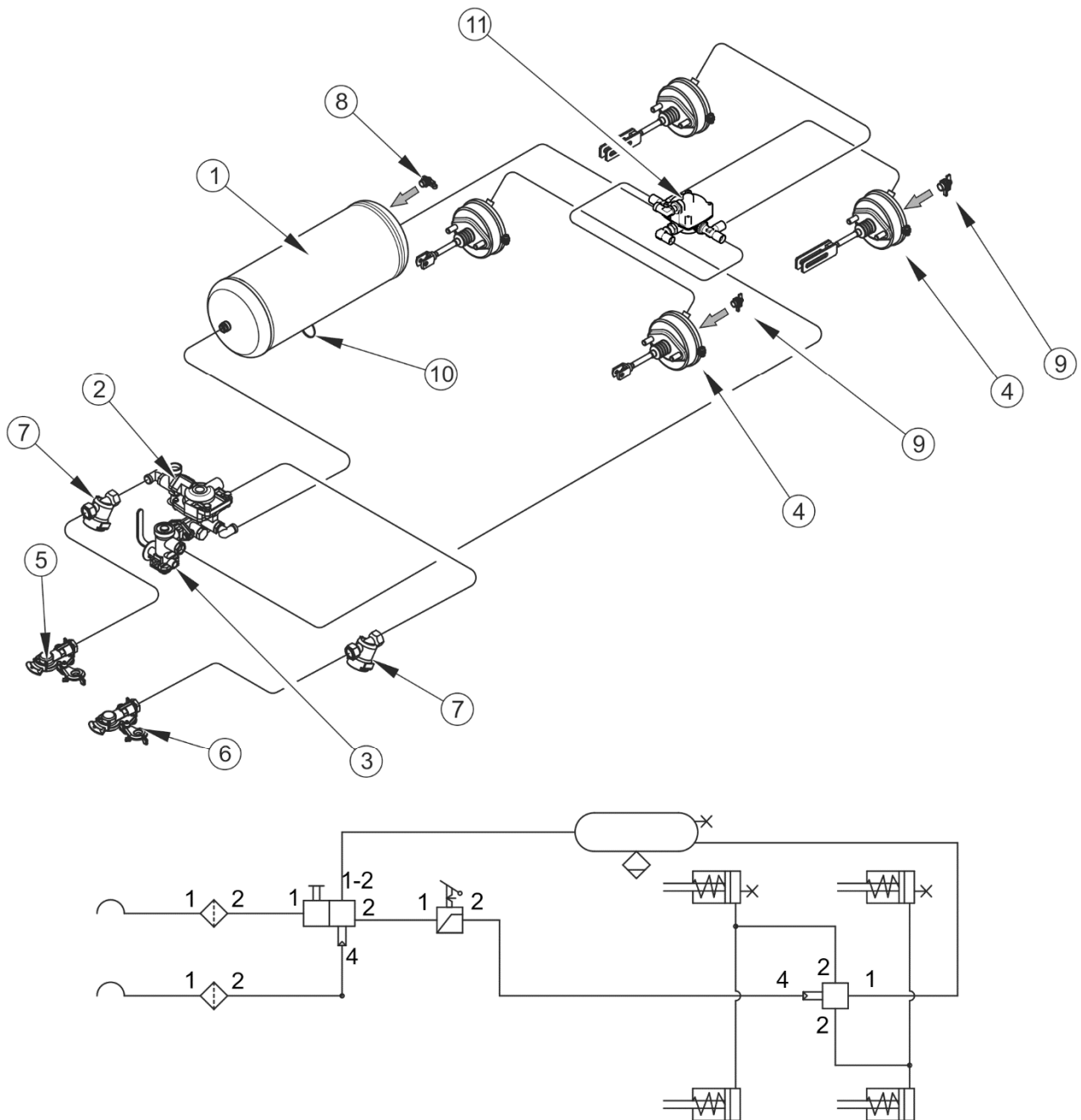


FIGURE 3.3 Design and diagram of the *double conduit* pneumatic brake system.

(1) air tank, (2) control valve, (3) manual braking force regulator, (4) pneumatic cylinder, (5) conduit connector (red), (6) conduit connector (yellow), (7) air filter, (8) air tank control connector, (9) pneumatic cylinder control connector, (10) drain valve, (11) relay valve

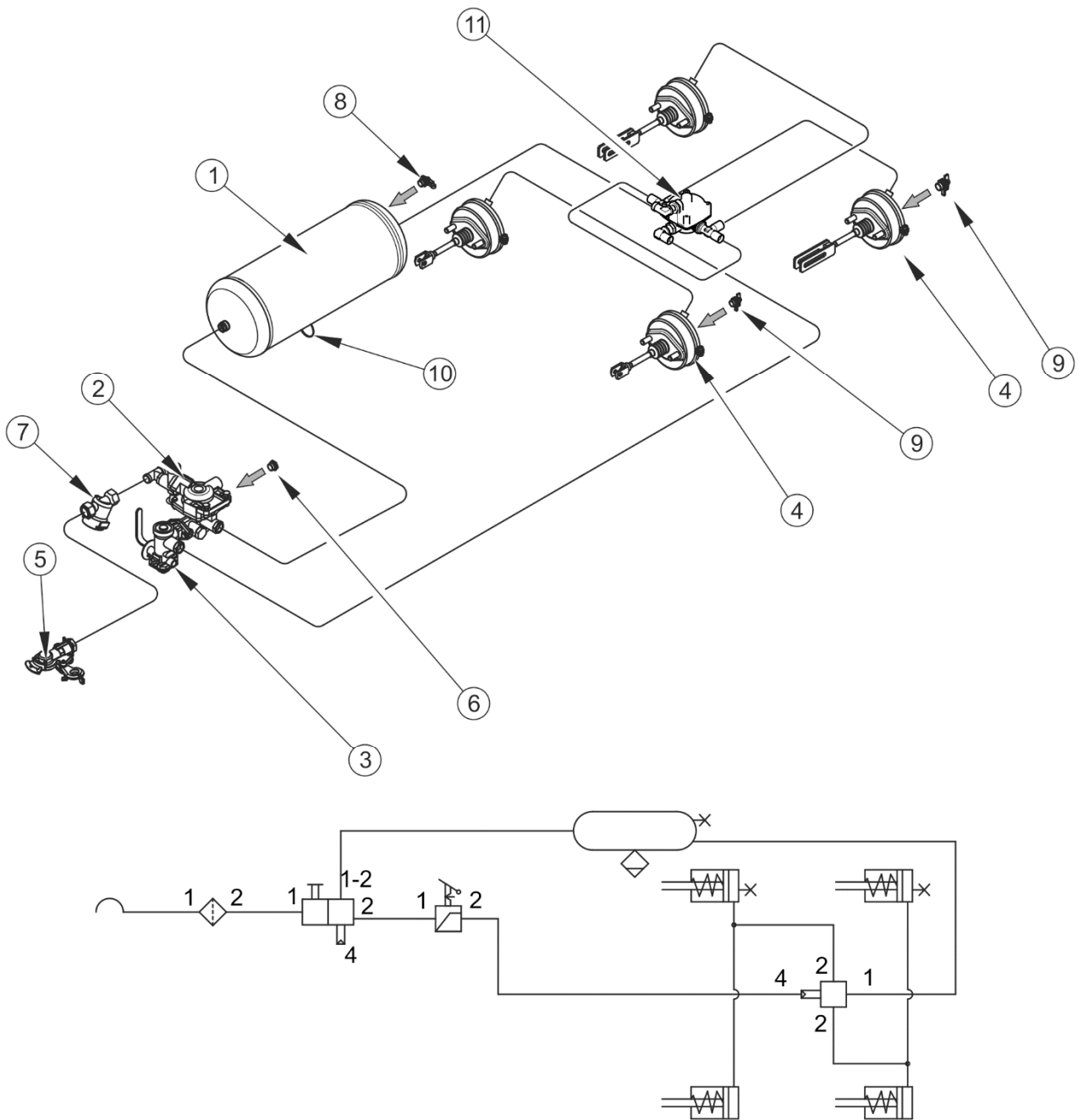


FIGURE 3.4 Design and diagram of the single conduit pneumatic *brake system*

(1) air tank, (2) control valve, (3) manual brake force regulator, (4) pneumatic cylinder, (5) conduit connector (black), (6) plug, (7) air filter, (8) air tank control connector, (9) pneumatic cylinder control connector, (10) drain valve, (11) relay valve

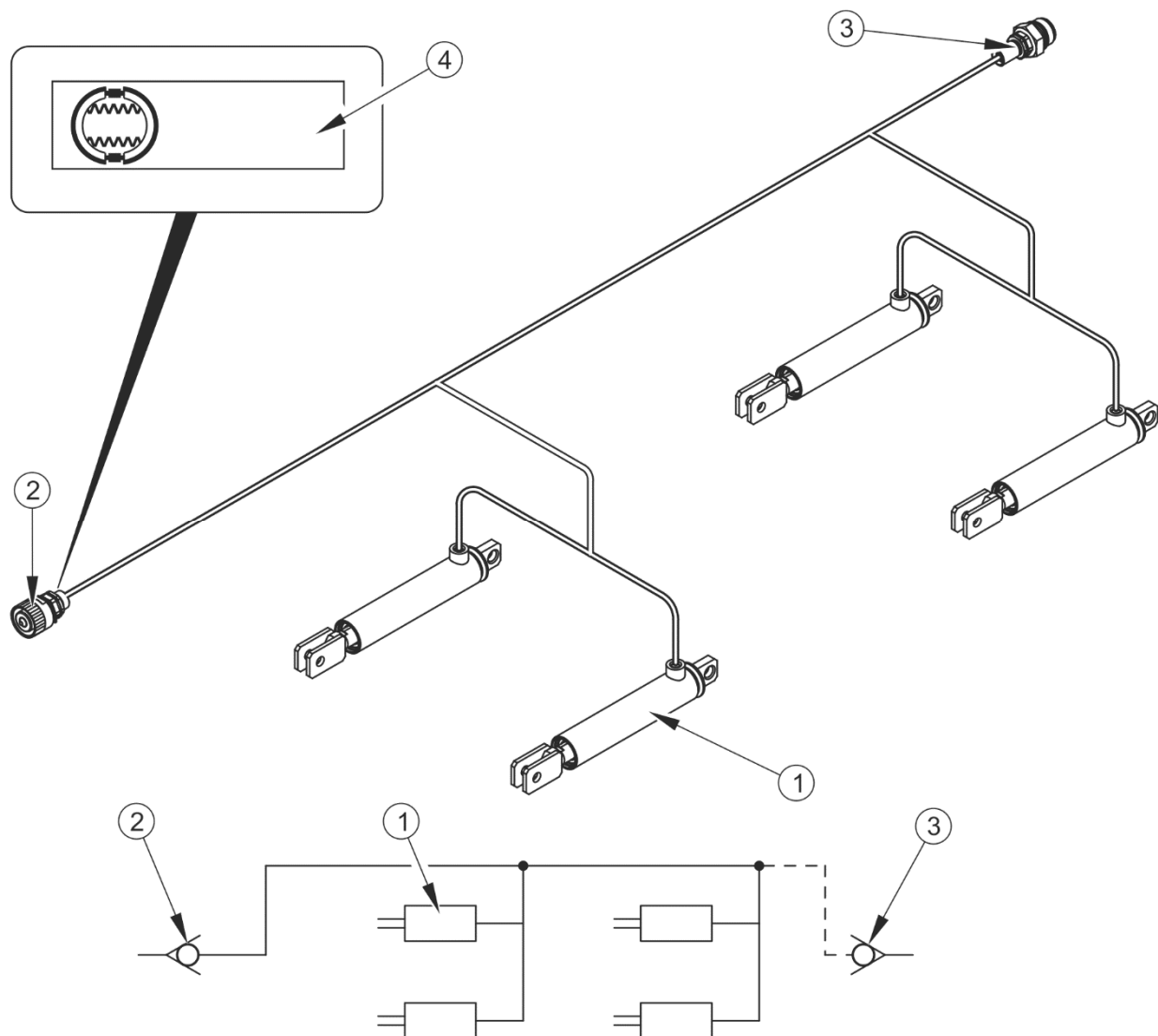


FIGURE 3.5 Design and diagram of hydraulic braking system

(1) hydraulic cylinder, (2) hydraulic quick coupler (socket), (3) quick coupler - plug, (4) information decal

Three-step braking force regulator (2)- figure (3.6) adjusts braking force depending on setting. Switching to a suitable working mode is done manually by machine operator using the lever (4) prior to moving off. Three working positions are available: A - "no load", B - "half load" and C - "full load".

For systems with automatic regulator, braking force depends on trailer load.

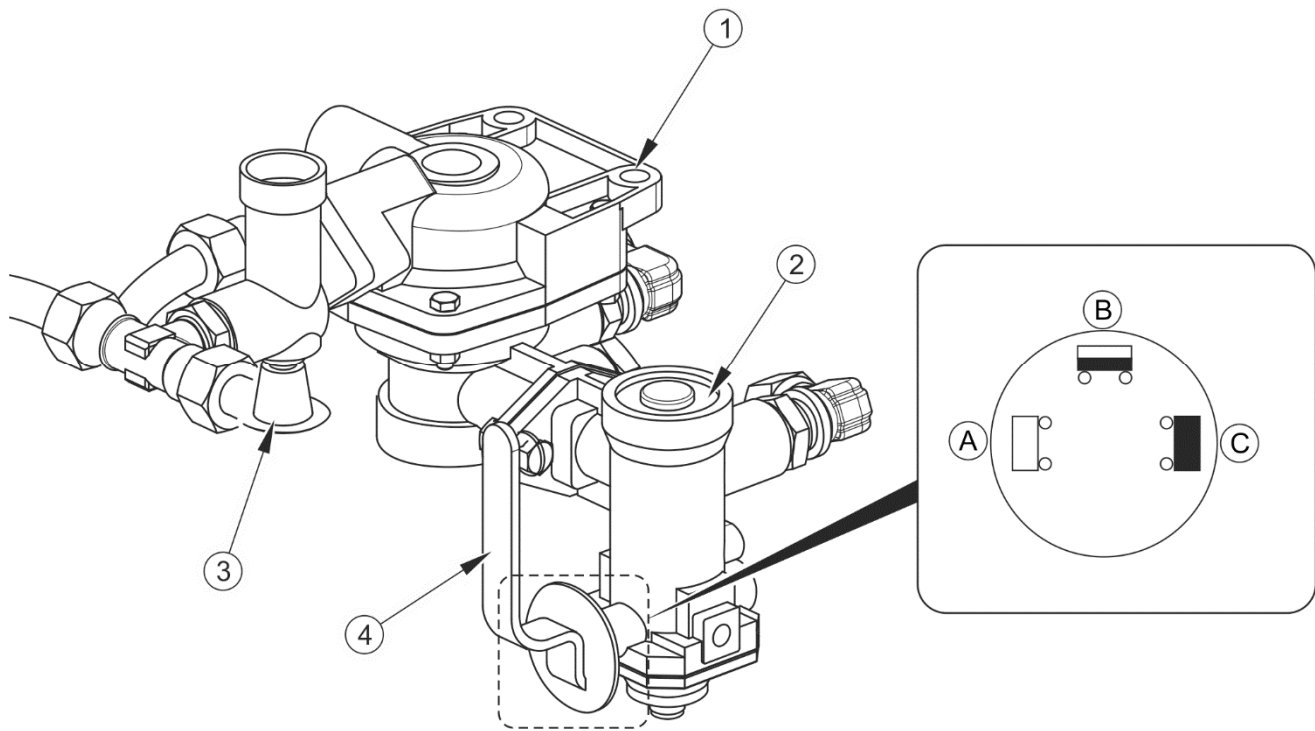


FIGURE 3.6 Control valve and braking force regulator

(1) control valve, (2) braking force regulator, (3) push-button for applying the trailer brakes while standing motionless, (4) regulator working position selection lever, (A) "NO LOAD" position, (B) "HALF LOAD" position, (C) "FULL LOAD" position

3.2.4 EMERGENCY BRAKE

T700XL trailer can be equipped with emergency brake - figure (3.7) activated by means of cables guided in rollers (6). The brake immediately stops the trailer in case of its disconnection from the tractor.

The ends of cable I (2) are attached to expander levers (1) of wheel axle. Cable I (2) is connected with cable II (3) through brake lever (4) with proper leverage and bottle screw (5). The end of cable II is attached to a fixed element of the tractor.

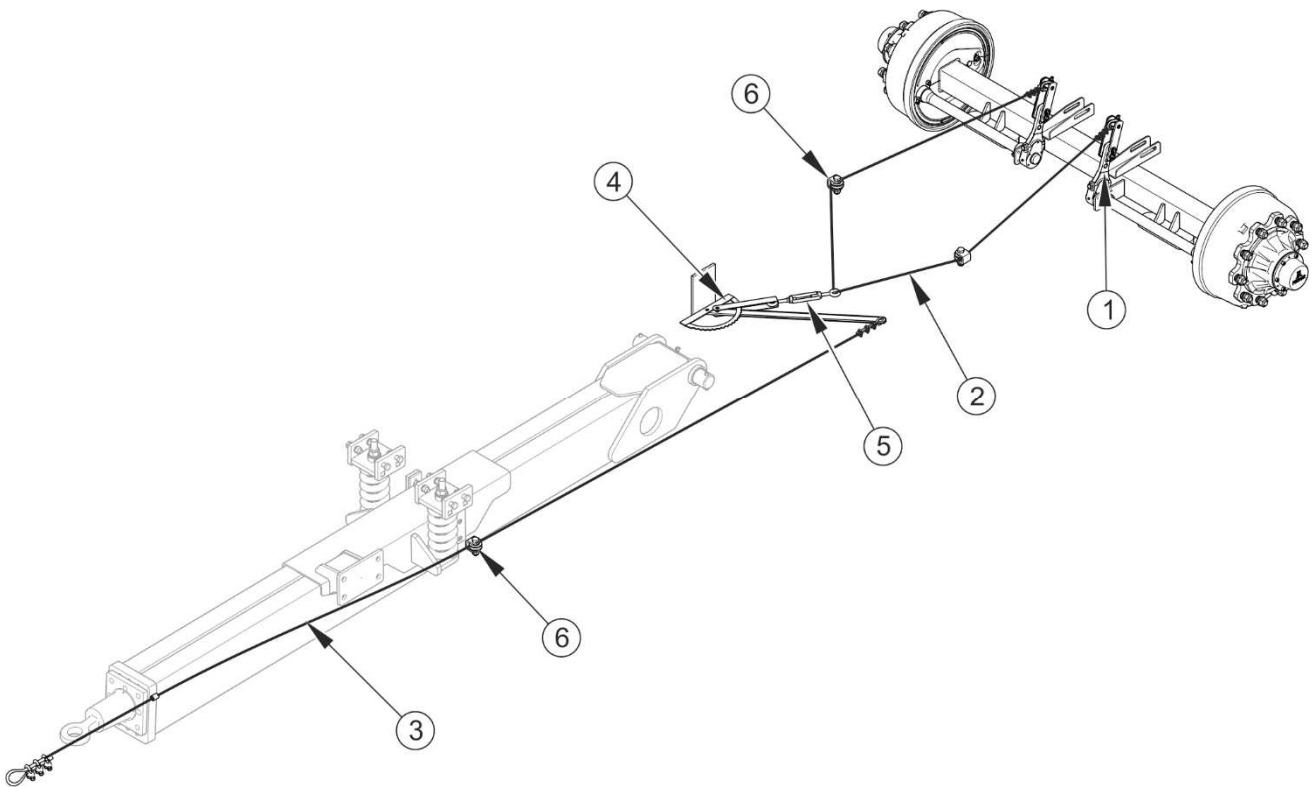


FIGURE 3.7 Emergency brake design

(1) expander arm, (2) cable I, (3) cable II, (4) brake lever, (5) bottle screw, (6) guide roller

3.2.5 PARKING BRAKE

The parking brake is used for immobilising trailer while standing motionless. System construction is shown in Figure (3.8). The brake crank mechanism (2) is welded to the left longitudinal member of the lower frame on the front of the trailer. Expander levers (1) of wheel axle are connected to lever (5) through arm (7), by means of cable II (4) guided in rollers (6). Lever (5) is connected to the brake crank mechanism (2) by means of steel cable I (3).

Tensioning cable I (3) (turning the crank mechanism clockwise), causes deflection of the lever (5) and tension of cable II (4) causing a deflection of the brake expander arms (1), which immobilize the trailer by parting the brake shoes.

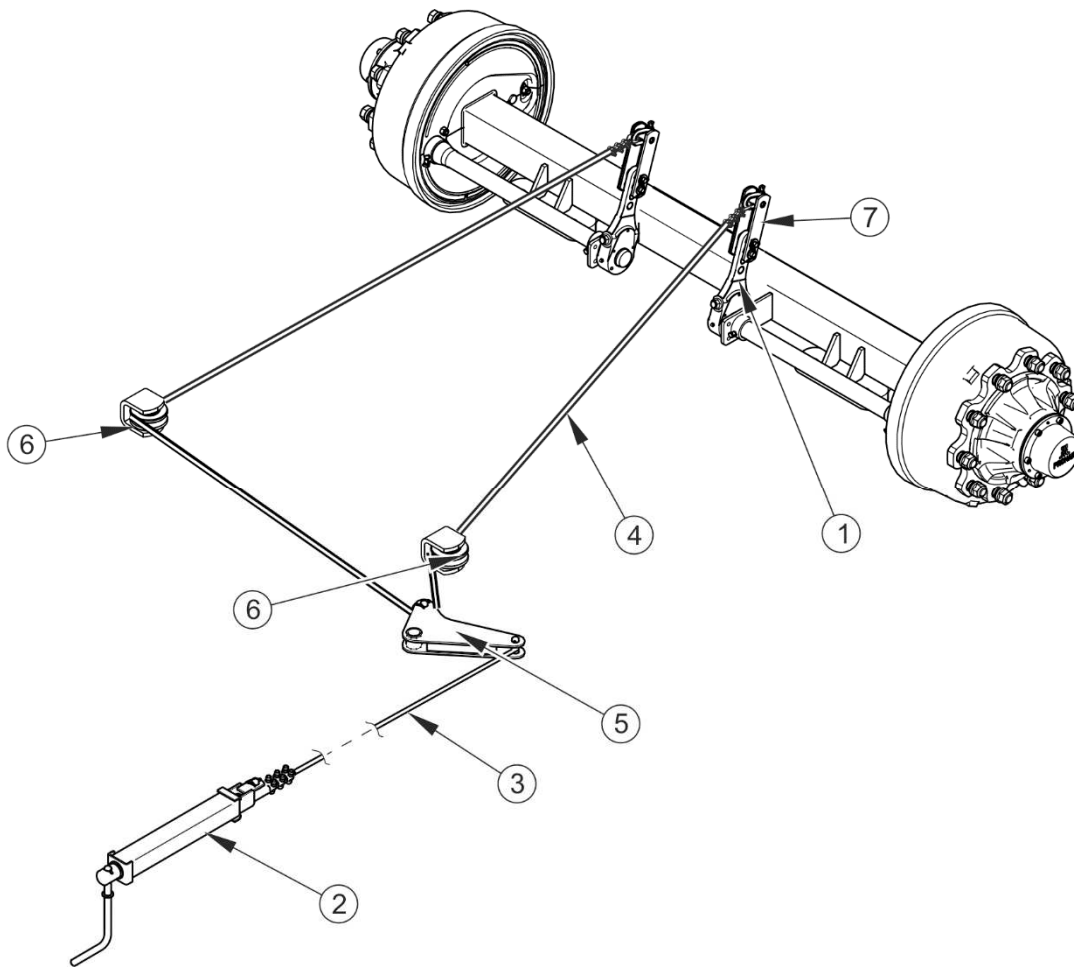


FIGURE 3.8 Parking brake design

(1) expander arm, (2) brake crank mechanism (3) steel cable I, (4) steel cable II (5) lever, (6) guide roller, (7) arm

3.2.6 HYDRAULIC TIPPING SYSTEM

Hydraulic tipping system serves for automatic unloading of trailer by tipping the load box to the rear. The hydraulic tipping system is supplied with oil from the tractor's hydraulic system. Hydraulic oil selective control valve of the tractor's external hydraulic system is used to control the load box tipping mechanism.

ATTENTION



Cut-off valve (3) – figure (3.9) limits the tipping angle of the load box when tipped to the rear. The length of the control cable (6) controlling this valve is factory adjusted by the Manufacturer and must not be changed when the trailer is used.

**TIP**

The hydraulic system of the trailer is filled with L-HL32 Lotos hydraulic oil.

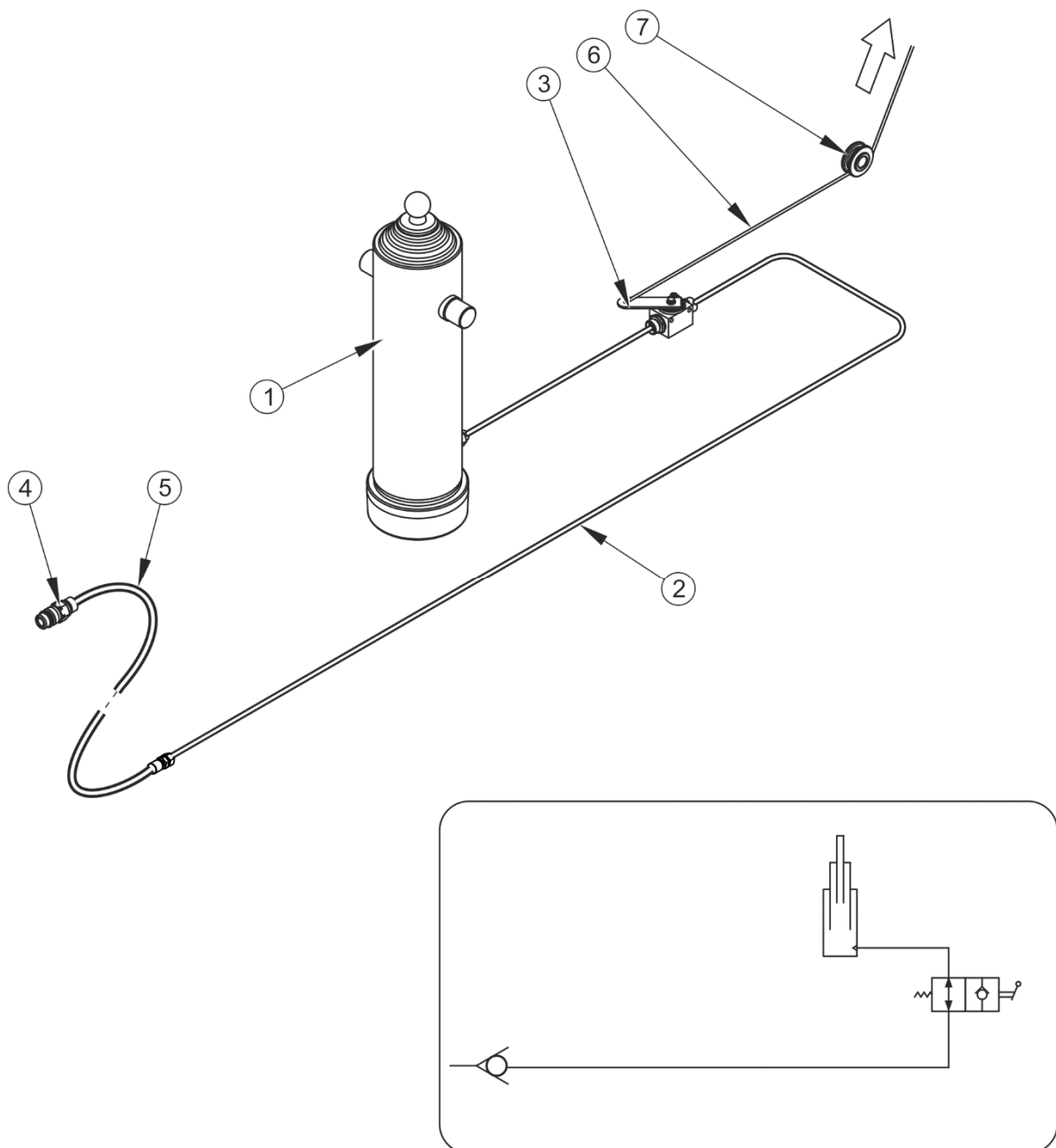


FIGURE 3.9 Design and diagram of the hydraulic tandem tipping system

(1) telescopic cylinder, (2) hydraulic pipe, (3) cut-off valve, (4) quick coupler, (5) hydraulic conduit, (6) control cable, (7) guide roller

3.2.7 HYDRAULIC SYSTEM OF THE SUPPORT (OPTION)

The parking stand hydraulic system extends the stand to support the trailer disconnected from the tractor or when it is parked in the garage after use. Using parking stand hydraulic system, the drawbar height can be adjusted when hitching and unhitching the trailer. The parking stand is supplied with oil by the tractor's hydraulic system. The parking stand is extended or withdrawn by extending or withdrawing a hydraulic cylinder.

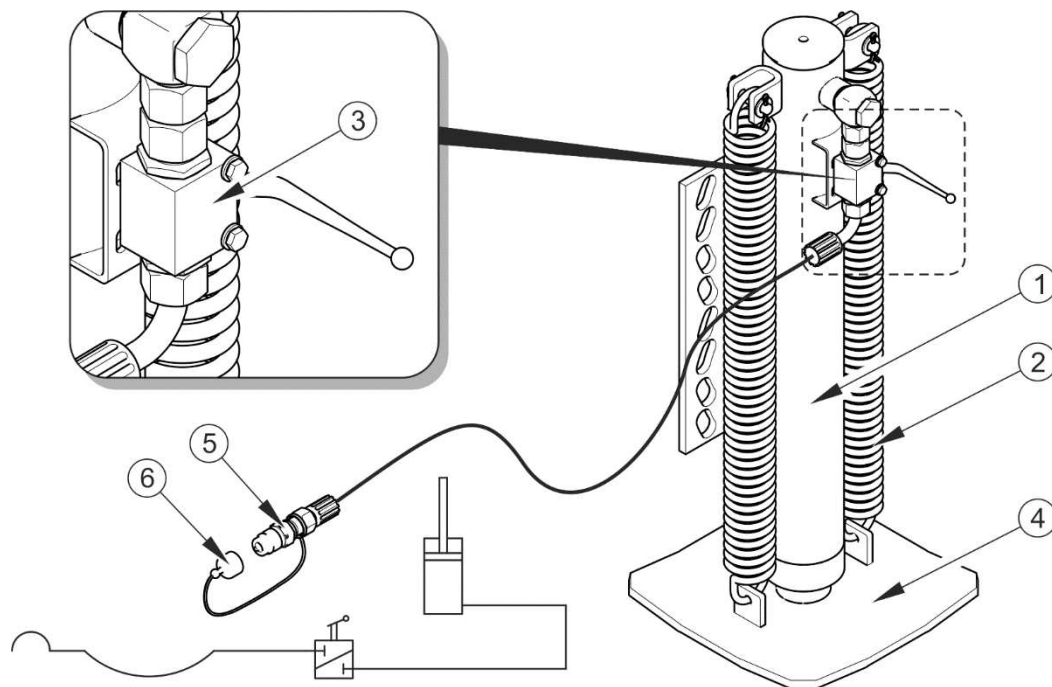


FIGURE 3.10 Design and diagram of the hydraulic system of the straight support

(1) hydraulic cylinder, (2) spring, (3) valve, (4) support foot, (5) quick coupler - plug, (6) plug cap (red)

The trailer can be equipped with straight hydraulic support – figure (3.10) or folding hydraulic support – figure (3.11).

Hydraulic oil manifold of the tractor's external hydraulic system is used for controlling the support's hydraulic cylinder. If the handle is shifted perpendicularly to valve (3), the support is locked in fixed position. The support is lowered by shifting the valve handle to open position, i.e. along the valve. Hydraulic oil supplied from the tractor's hydraulic manifold extends the cylinder rod to a desired height. After the pressure in hydraulic conduit is reduced, withdrawal of the straight support to transport position is forced by means of springs - Figure (3.10). The hydraulic conduit for controlling the support is terminated with a quick coupler - plug (5) and protected by means of a cap (6).

In case of the folding support, the support return spring is located inside the cylinder sleeve (2) – figure (3.11). The support is locked in transport position or in parking position by means of interlock pin (4).

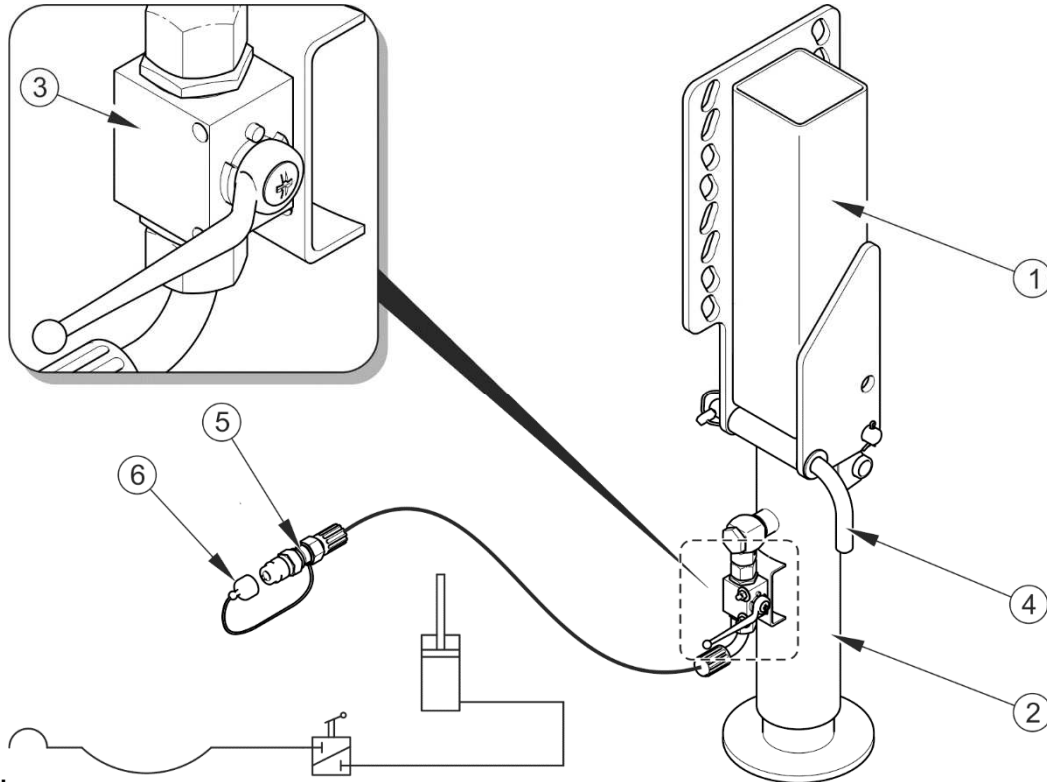


FIGURE 3.11 Design and diagram of the hydraulic system of the folding support

(1) body, (2) hydraulic cylinder, (3) valve, (4) interlock pin, (5) quick coupler - plug, (6) plug cap (red)



TIP

The hydraulic system of the support is filled with L-HL32 Lotos hydraulic oil.

3.2.8 TAILGATE HYDRAULIC SYSTEM

The hydraulic system of the tailgate controls raising and lowering of the tailgate. The hydraulic system is supplied with oil from the tractor external hydraulic system. Pressurised oil is fed through hydraulic conduits (2) and (3) terminated with quick-couplers (8) to hydraulic cylinders (1), which open or close the tailgate.

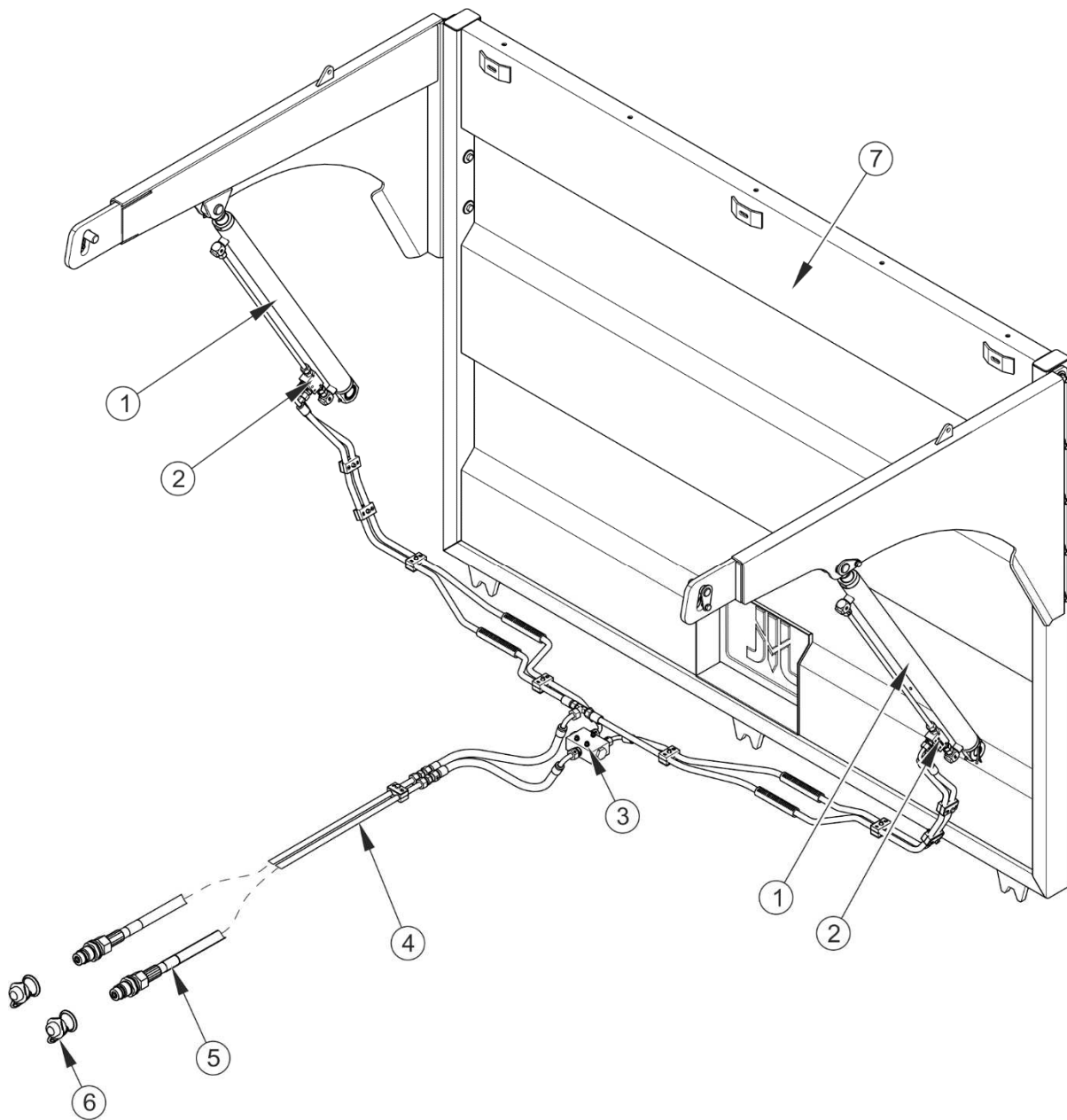


FIGURE 3.12 Design of the hydraulic system of the tailgate

(1) hydraulic cylinder, (2) hydraulic lock, (3) flow divider, (4) hydraulic conduit, (5) quick coupler - plug, (6) plug stopper (black), (7) tailgate

The hydraulic system - figure (3.12) is used for closing and opening the tailgate.(7) The hydraulic system is supplied with oil from the tractor external hydraulic system. Pressurised oil is fed to flow divider (3) through hydraulic conduits (4) connected to tractor by means of quick couplers (5). The flow divider divides the oil stream proportionally to the two hydraulic cylinders (1) which extend or withdraw in order to close or open the tailgate. Quick couplers (5) at the ends of the conduits are protected with black stoppers (6).

In the initial stage of opening, the tailgate raises slightly and releases the locks in the form of hooks (in the floor frame) and forks (in the tailgate) and then, it tilts upwards.

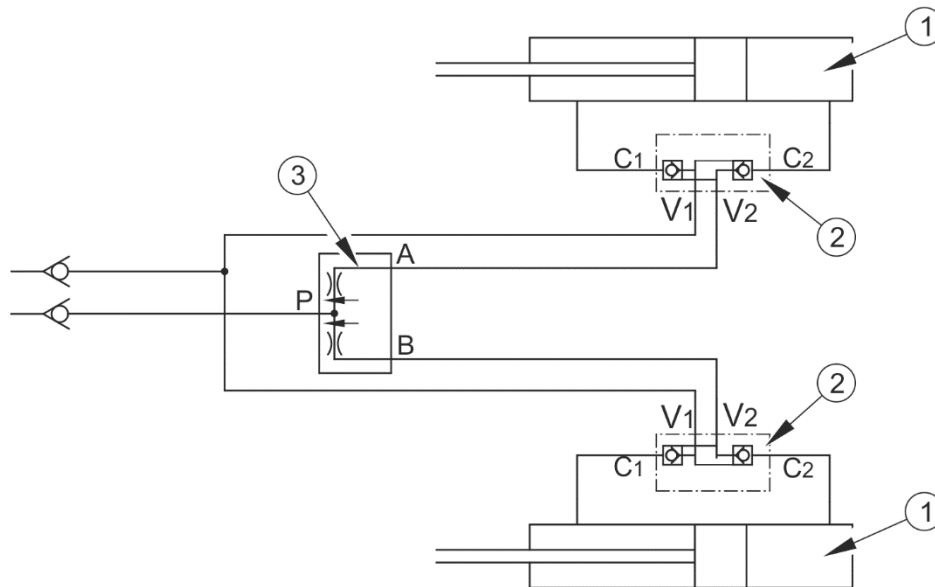


FIGURE 3.13 Diagram of the hydraulic system of the tailgate

(1) hydraulic cylinder, (2) two-sided hydraulic lock, (3) flow divider

3.2.9 LIGHTING SYSTEM

The trailer electrical system is designed for supply from direct current source of 12 V. Connection of the trailer electrical system with the tractor should be made through an appropriate connection lead.

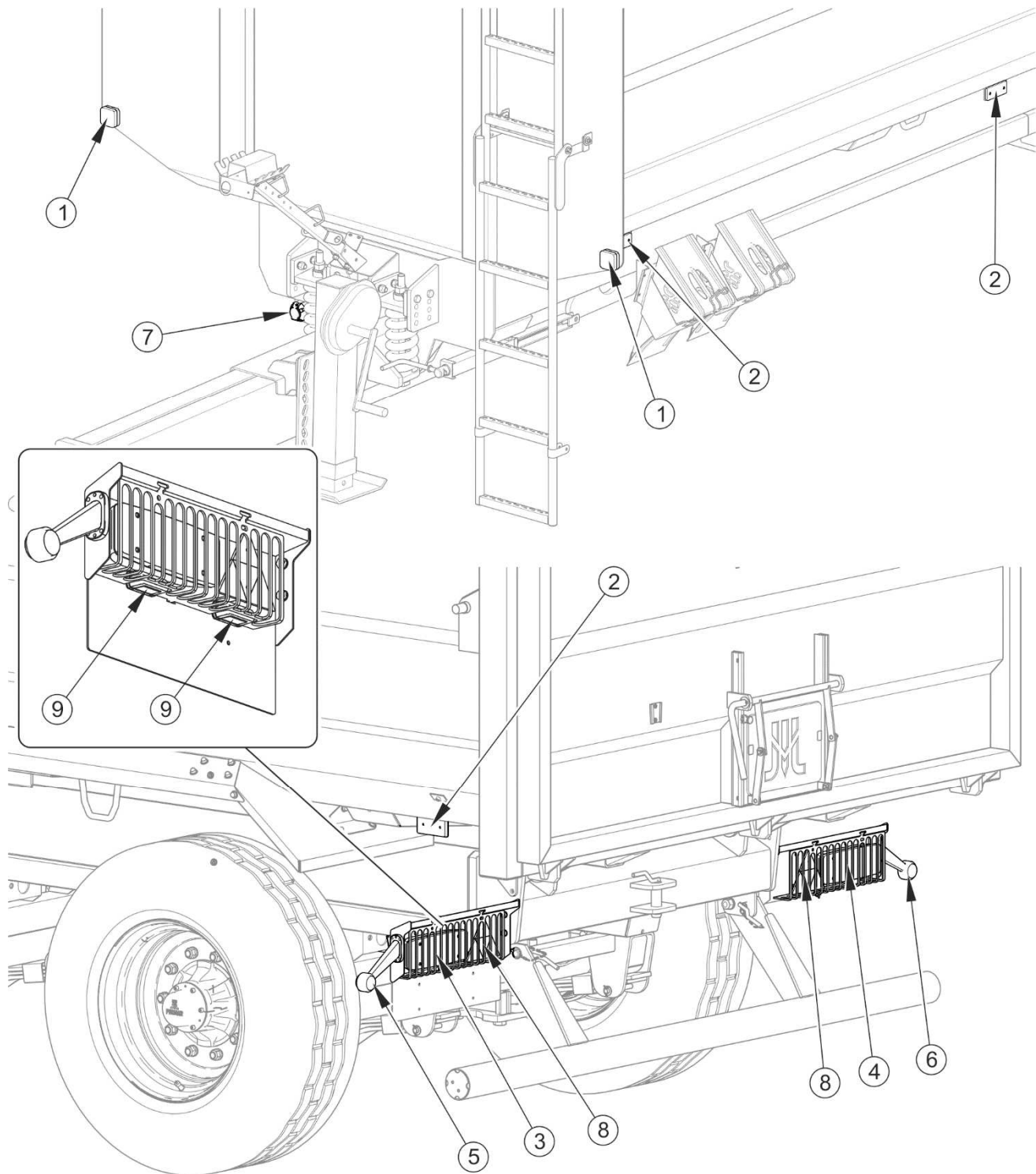


FIGURE 3.14 Positioning of electrical components and reflective lights

(1) front parking light, (2) side parking light, (3) rear left lamp assembly, (4) rear right lamp assembly, (5) rear left clearance light, (6) rear right clearance light, (7) 7-pin socket, (8) reflective warning triangle, (9) license plate light

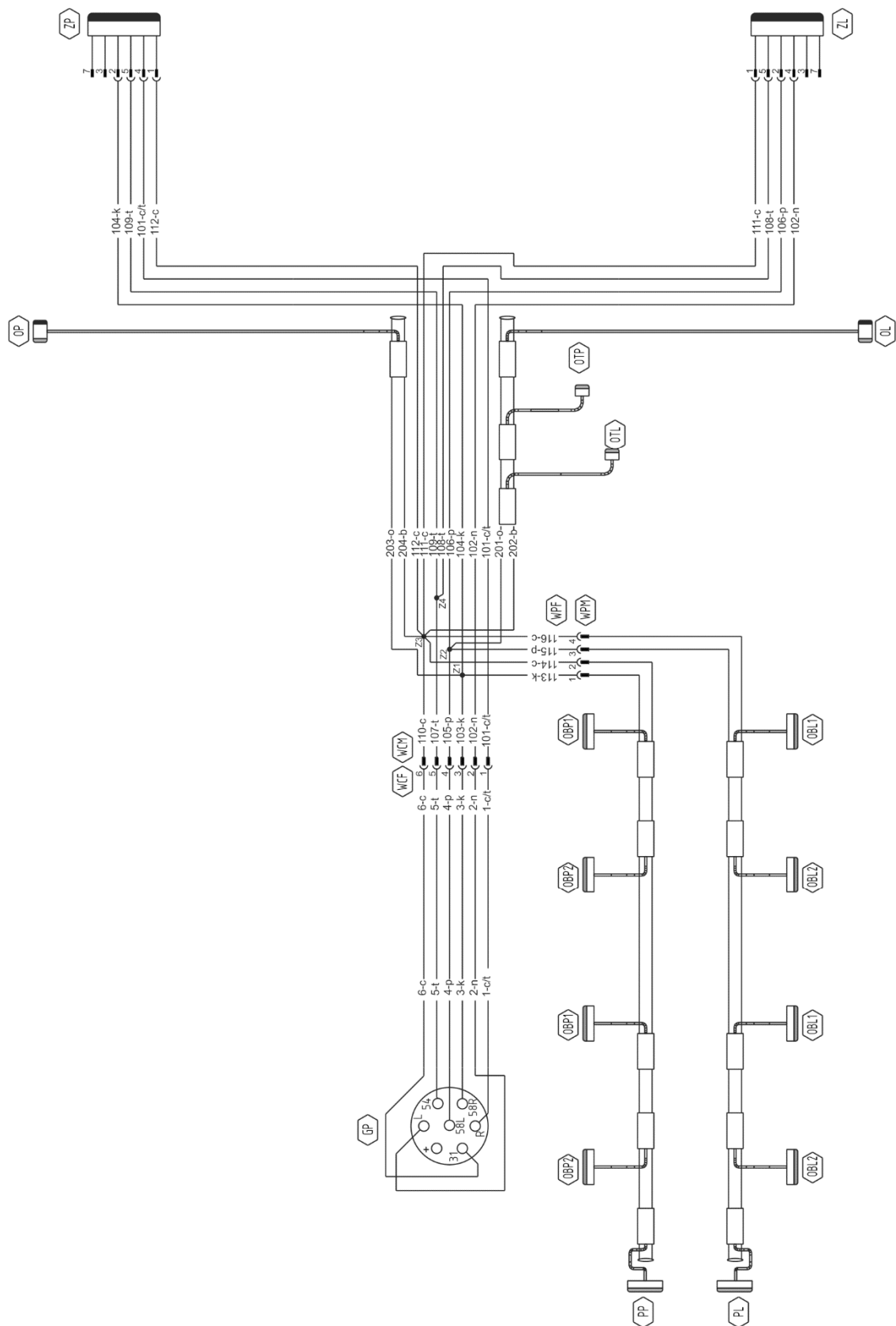


FIGURE 3.15 Electrical system concept diagram

Marking according to table (3.2), (3.3) and (3.4)

TABLE 3.2 List of electrical component markings

SYMBOL	NAME
ZP	Rear right lamp assembly
ZL	Rear left lamp assembly
GP	Front seven pin socket
OTP	Right license plate light
OTL	Left license plate light
PP	Front right parking light
PL	Front left parking light
OP	Rear right clearance light
OL	Rear left clearance light
OBL1, OBL2	Left clearance lamp
OBP1, OBP2	Right clearance lamp

TABLE 3.3 Marking of GP socket connections

MARKING	FUNCTION
31	Ground
+	Power supply +12V (not used)
L	Left indicator
54	STOP light
58L	Rear left parking light
58R	Rear right parking light
R	Right indicator

TABLE 3.4 Lead colour marking

MARK	COLOUR
B	White
C	Black
K	Red
N	Blue
P	Orange
T	Green
C/T	Black and green
R	Pink
O	brown
Z	Yellow

SECTION

4

**CORRECT
USE**

4.1 PREPARING THE TRAILER FOR WORK

4.1.1 PRELIMINARY INFORMATION

The trailer is supplied to the user completely assembled and does not require additional mounting operations of machine sub-assemblies. The manufacturer guarantees that the trailer is fully operational and has been checked according to quality control procedures and is ready for use. This does not release the user from an obligation to check the machine's condition after delivery and before first use.

4.1.2 HAND-OVER AND INSPECTION OF THE TRAILER AFTER DELIVERY

After delivery of the machine to the buyer, the user is obliged to check technical condition of the trailer. While buying the machine, the user must be informed by the seller about the method of use of the machine, risks resulting from the use for purposes other than intended, the method of the machine hitching and the principles of the machine construction and design. Detailed information concerning the machine hand-over are included in the *WARRANTY BOOK*.

ATTENTION



The seller is obliged to conduct the first start up of the trailer in the presence of the user.

The user trained by the seller is not released from the obligation to carefully read this Operator's Manual and adhere to the recommendations contained in it.

Checking the trailer after delivery

- Check completeness of the machine according to order (standard and optional equipment).
- Check technical condition of shields and protection devices.
- Check condition of paint coating; check the machine for traces of corrosion.
- Inspect the trailer's individual components for mechanical damage resulting from, among others, incorrect transport (dents, piercing, bent or broken components).
- Check technical condition of tyres and tyre pressure.

- Check if the nuts and bolts fixing the wheels are properly tightened.
- Check technical condition of drawbar eye and if correctly installed.
- Check technical condition of pneumatic conduits.
- Check technical condition of elastic hydraulic conduits.
- Check that there are no hydraulic oil leaks.
- Check tipping cylinder, tailgate cylinders and support cylinder for hydraulic oil leaks.
- Check electric lamps.

If non-conformities are found, do not hitch and start using the trailer. Discovered defects should be notified directly to the seller in order to remove them.

4.1.3 PREPARING THE TRAILER FOR THE FIRST USE, TEST RUN OF THE TRAILER

Preparing for the test run

- The user must read this *OPERATOR'S MANUAL* and observe all the recommendations contained in it.
- Adjust the height of the drawbar eye to the tractor hitch
- Check all the trailer's lubrication points, lubricate the machine as needed according to recommendations provided in section 5.7,
- Check if the nuts and bolts fixing the wheels are properly tightened.
- Visually inspect the trailer according to the guidelines presented in section *PREPARING THE TRAILER FOR NORMAL USE*.
- Drain the air tank in the braking system - see section 5.3.4.
- Ensure that pneumatic, hydraulic and electric connections in agricultural tractor are according to the requirements, if not the trailer should not be hitched to the tractor.

Test start

If all the above checks have been performed and there is no doubt as to the trailer's good technical condition, it can be connected to tractor. Start the tractor, check all systems and conduct test run of trailer without load (no load in load box). It is recommended that the inspection is conducted by two people, one of which should always remain in the tractor cab. Test start should be conducted according to the sequence shown below.

- ➔ Connect the trailer to appropriate hitch on agricultural tractor.
- ➔ Connect conduits of braking, electrical and hydraulic systems.
- ➔ Switch on individual lights, check correct operation of electrical system.
- ➔ Conduct test tipping of load box.
- ➔ Actuate and check if tailgate control system operates correctly.
- ➔ When moving off check if the main brakes operate correctly.
- ➔ Perform test drive.



TIP

Operating activities: hitching to/unhitching from tractor, adjustment of draw bar position, tipping of load box etc. are described in detail in further parts of the Operator's Manual, in sections 4 and 5.

If during test run worrying symptoms occur such as:

- noise and abnormal sounds originating from the abrasion of moving elements of the trailer design,
- brake system leak,
- hydraulic oil leak,
- incorrect operation of hydraulic and/or pneumatic cylinders,

or other faults, find the cause of the problem. If a fault cannot be rectified or the repair could void the warranty, please contact the dealer for additional clarifications or to perform repair.

After completion of test drive check tightness of wheel nuts.

4.1.4 PREPARING THE TRAILER FOR NORMAL USE

DANGER



Careless and improper use and operation of the trailer, and non-compliance with the recommendations given in this operator's manual is dangerous to your health.

The trailer must never be used by persons, who are not authorised to drive agricultural tractors, including children and people under the influence of alcohol or other drugs.

Non-compliance with the safety rules of this Operator's Manual can be dangerous to the health and life of the operator and others.

Scope of inspection activities

- Visually inspect if the tyres are properly inflated. In case of doubt, carefully check tyre pressure.
- Check technical condition of drawbar eye.
- Check correctness of electrical system operation.
- Check technical condition and completeness of shields and protection devices.
- Install the slow-moving vehicle warning sign - if the trailer is used on public roads.

4.2 HITCHING THE TRAILER TO TRACTOR AND UNHITCHING THE TRAILER FROM TRACTOR

The trailer may be hitched only to a technically sound agricultural tractor with the electric, pneumatic and hydraulic connections and the tractor's hitch conforming to the trailer Manufacturer's requirements.

In order to hitch the trailer to the tractor perform the actions below in the sequence presented.

Hitching to tractor

- ➔ Visually inspect the technical condition of the trailer.
- ➔ Immobilise trailer with parking brake.

- ➔ Position agricultural tractor directly in front of drawbar eye.
- ➔ Reverse the tractor and, if hydraulic support is used, connect the conduit to the support according to label (6) – table (2.1) (straight hydraulic support or folding hydraulic support).
- ➔ Using the support, set the drawbar at such a height as to make it possible to couple the machines.
 - ⇒ If the hydraulic support is used, operate the manifold in the tractor to raise or lower the trailer drawbar until the correct height is achieved.
 - ⇒ If the telescopic support is used, adjust the drawbar height by rotating the crank in proper direction - see chapter 4.2.1.
- ➔ Reverse tractor, hitch trailer, check coupling lock protecting machine against accidental unhitching.
 - ⇒ If the agricultural tractor is equipped with an automatic coupler, ensure that the hitching operation is completed and that drawbar eye is secured.
- ➔ Fold the support and secure it properly.
 - ⇒ If the telescopic support is used, raise the support as described in section 4.2.1 and secure it with securing pin (5) figure (4.1).
 - ⇒ After folding the hydraulic support, close the support valve (3) - figure (3.10) or (3.11) and set the manifold lever in the tractor in "neutral" position.
 - ⇒ When the trailer is hitched, the hydraulic folding support must be folded and secured with lock pin (4) figure (3.11).
- ➔ Turn off tractor engine. Ensure that unauthorised persons do not have access to the tractor cab.
- ➔ The trailer hitched to the tractor must be level. Empty trailer may be slightly tilted forwards from the level (about 50mm).
 - ⇒ If the trailer is not level, adjust the position of the trailer drawbar hitching eye or the tractor hitch.

- ➔ Connect pneumatic system conduits (applies to double conduit pneumatic system):
 - ⇒ Connect pneumatic conduit marked yellow with yellow socket in tractor.
 - ⇒ Connect pneumatic conduit marked red with red socket in tractor.
- ➔ Connect pneumatic system conduit (applies to single conduit pneumatic system).
 - ⇒ Connect pneumatic conduit marked black with black socket in tractor.
- ➔ Connect hydraulic brake system conduit (applies to trailer version with hydraulic brake system).
 - ⇒ The connection socket is different than in other systems (female socket).
- ➔ Connect hydraulic tipping system conduit.
 - ⇒ Hydraulic brake system conduit is marked according to information decal (6) – table (2.1).
- ➔ Connect conduits of the tailgate hydraulic system.
 - ⇒ Connect the conduits to the same section of the tractor hydraulic manifold.
 - ⇒ Conduits of the hydraulic system of the tailgate are marked according to information decal (6) – table (2.1).
- ➔ Connect main lead supplying electrical lighting system.

DANGER



When hitching, there must be nobody between the trailer and the tractor. When hitching the machine, tractor driver must exercise particular caution and make sure that nobody is present in the hazard zone.

When connecting the hydraulic conduits to the tractor, make sure that the hydraulic system of the tractor and the hydraulic system of the trailer are not under pressure.

Ensure sufficient visibility during hitching.

ATTENTION

Trailer may only be hitched to a technically reliable tractor, which has the appropriate hitch, required connection sockets for braking, hydraulic and electrical systems, and hydraulic oil in both machines is of the same type and may be mixed.

When hitching is completed, secure the electrical leads and hydraulic and braking system conduits in such a way that they do not become entangled in tractor's moving parts and are not at the risk of breaking or being severed when making turns.

Ensure compatibility of oils in tractor hydraulic system and in the trailer hydraulic system.

During connection of braking system conduits (pneumatic double conduit) the correct sequence of conduit connection is very important. First connect the yellow connector to yellow socket in the tractor and only then connect the red connector to the red socket in the tractor. Once the second conduit is connected, the brake applying system will switch to normal mode of operation (when pressure in the trailer's air tank reaches the proper level, the trailer's control valve will automatically switch to the position in which the machine brakes are applied).

**TIP**

Hydraulic and pneumatic conduits are marked with coloured protective covers, which identify the appropriate system conduit.

Unhitching the trailer

In order to unhitch the trailer from the tractor follow these steps.

- ➔ Immobilise tractor and trailer with parking brake.

DANGER

Do NOT unhitch the trailer when the load box is raised.

Exercise caution when unhitching the trailer from the tractor. Ensure good visibility. Unless it is necessary, do not go between tractor and trailer.

Before disconnecting conduits and drawbar eye, close tractor cab and secure it against access by unauthorised persons. Turn off tractor engine.

- ➔ Place chocks under trailer wheel.
 - ⇒ Wheel chocks shall be so placed that one is in front of the wheel and the second is behind wheel of rear axle - see section 2.

- ➔ Lower support to the ground.
 - ⇒ If folding hydraulic support is used, unfold the support and lock it in parking position using lock pin (4) - figure (3.11).
 - ⇒ If straight or folding hydraulic support is used, open the support valve - (figure (3.10) or (3.11)).
 - ⇒ Operate the manifold on the tractor in the direction corresponding to the support cylinder piston rod extension (hydraulic support).
 - ⇒ When the support is lowered, set manifold lever in tractor to "neutral" position.
 - ⇒ Close the valve located next to the support to lock the support in a fixed position.
 - ⇒ If the trailer is equipped with the telescopic support, lower the support as described in section 4.2.1 and secure it with securing pin (5) figure (4.1).
- ➔ Turn off tractor engine. Ensure that unauthorised persons do not have access to the tractor cab.
- ➔ Disconnect hydraulic conduits of tailgate, support and tipping system from the tractor
 - ⇒ Protect conduit ends with caps and place them on the hanger.
- ➔ Disconnect electric lead.
- ➔ Disconnect pneumatic system conduits and place them in the suitable place on the trailer (applies to double conduit pneumatic system).
 - ⇒ Disconnect pneumatic conduit marked red.
 - ⇒ Disconnect pneumatic conduit marked yellow.
- ➔ Disconnect pneumatic system conduits and place them in the suitable place on the trailer (applies to single conduit pneumatic system).
 - ⇒ Disconnect pneumatic conduit marked black.
- ➔ Disconnect hydraulic brake system conduit and place it on the hanger (applies to trailer version with hydraulic brake system).

- ➔ Unlock tractor hitch and disconnect trailer drawbar from tractor hitch and drive tractor away.



ATTENTION

If the ball hitch is used, first unlock the tractor hitch and then raise the drawbar by means of the support and drive the tractor away from the machine.

4.2.1 TELESCOPIC SUPPORT OPERATION

Proper height of drawbar eye in relation to tractor hitch can be set using the telescopic support with mechanical gear - figure (4.1).

Position (C) is used for fast rising and lowering the support foot in order to reduce the distance between the support foot and the ground. Position (B) is used for lowering and rising the drawbar of unloaded trailer. In position (B), the support foot (2) moves slowly and a large force is not required to raise the machine drawbar.

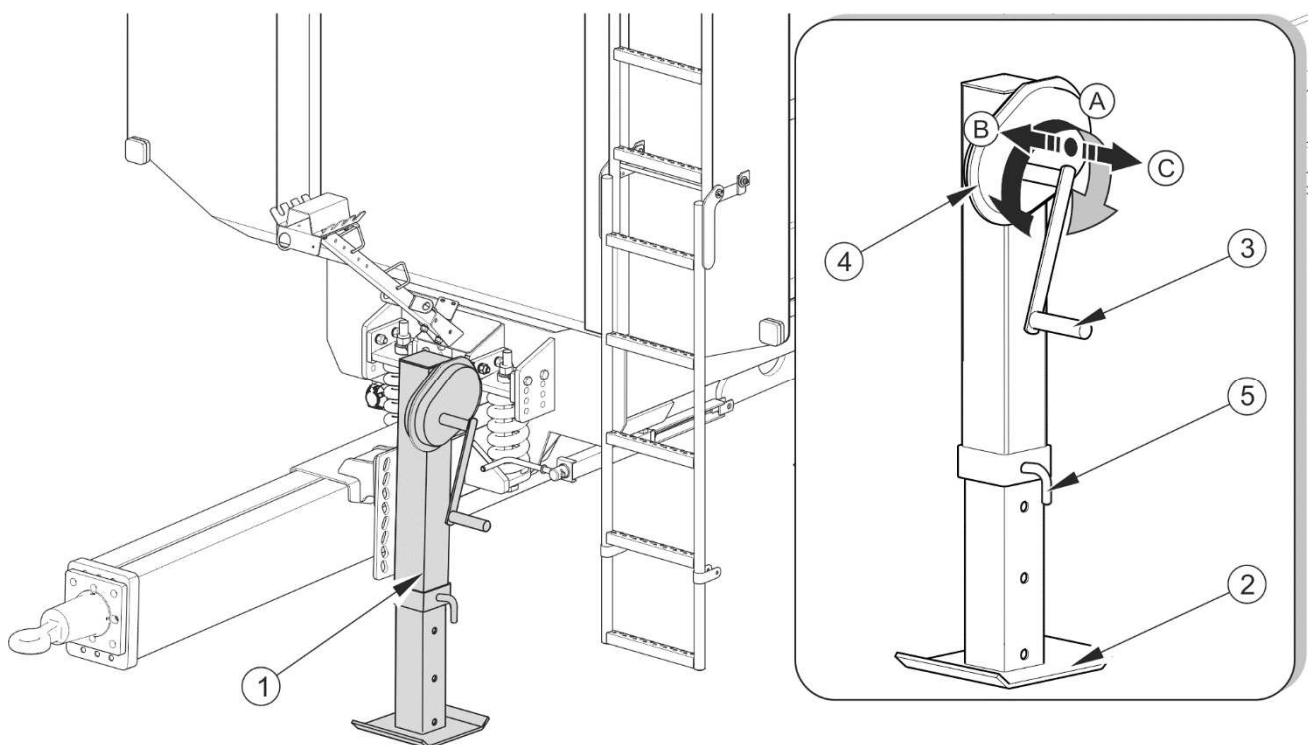


FIGURE 4.1 Adjusting the drawbar height

(1) telescopic support, (2) support foot, (3) crank, (4) gear, (5) securing pin, (A) neutral position, (B) position – I gear (speed under load), (C) position – II gear (high speed)

Raising the support

- ➔ Remove safety pin (5).
- ➔ Move support crank (3) from neutral position (A) to position (B).
- ➔ Turn the crank in proper direction in order to raise the support foot (2) maximally upwards.
- ➔ Install securing pin.
- ➔ Place crank in neutral position (A).

Lowering the support

- ➔ Remove safety pin.
- ➔ Move crank (3) to position (B) or (C).
- ➔ Turn the crank in proper direction in order to lower the support to the ground or adjust the drawbar eye height in relation to the hitch (if the trailer is to be hitched to tractor)

4.3 LOADING AND SECURING LOAD

4.3.1 GENERAL INFORMATION ABOUT LOADING



ATTENTION

The trailer is also designed for transport of harvested crops and agricultural products (volumetric or poured). It is permissible to transport other loads (timber, building materials packed loads), on the condition of securing the load box against damage (abrasion of paint covering, corrosion etc.).



DANGER

People or animals must not be carried on the trailer.

During work, keep a safe distance from overhead electric power lines.

Ensure that during unloading / loading or raising the load box nobody is near the trailer. Before tipping load box ensure that there is visibility and make certain that there are no bystanders.

The load on the trailer must be secured against slipping and contaminating the road during travel. If it is not possible to properly secure the load, do not transport it.

Before beginning loading make certain that the tailgate and chute slide gate are properly closed and secured. The trailer must be level, positioned to travel forwards and hitched to the tractor. Loading should only take place, when trailer is placed on flat level surface and hitched to tractor. If the trailer is equipped with tarpaulin cover, it should be rolled.

Regardless of the type of load carried, the user is obliged to secure it in such a manner that the load is unable to spread and cause contamination of the road. If this is impossible, do NOT transport this type of load.

Materials, which in contact with painted or steel surfaces may cause damage, should be transported in sealed packaging (bags, boxes, barrels, etc.). After unloading, the load box should be thoroughly cleaned with a strong jet of water.

If the transported materials exert high local pressure on the load box platform it should be protected against damage using thick planks, plywood or other materials of similar properties.

ATTENTION



Always aim at distributing the load uniformly in the load box.

Do NOT exceed the maximum carrying capacity of the trailer specified on the data plate.

In many cases, the use of the entire cargo space is not allowed because it leads to exceeding trailer's nominal carrying capacity.

During loading the trailer, the drawbar eye and the tractor hitch are subjected to great vertical loads.

Due to the various density of materials, using the total load box capacity may cause exceeding permissible carrying capacity of the trailer. Guideline specific weight of selected materials is shown in table (4.1). Take special care not to exceed the maximum carrying capacity of the trailer specified on the data plate.

TABLE 4.1 Guideline weights by volume of selected loads

TYPE OF MATERIAL	WEIGHT BY VOLUME kg/m ³
Root crops:	
raw potatoes	700 - 820
steamed crushed potatoes	850 - 950
dried potatoes	130 - 150

TYPE OF MATERIAL	WEIGHT BY VOLUME kg/m ³
sugar beet - roots	560 - 720
fodder beet - roots	500 - 700
Organic fertilisers: old manure mature manure fresh manure compost dry peat	700 - 800 800 - 900 700 - 750 950 - 1,100 500 - 600
Mineral fertilisers: ammonium sulphate potash salt super phosphate basic slag phosphate potassium sulphate milled lime fertiliser	800 - 850 1,100 - 1,200 850 - 1,440 2,000 - 2,300 1,200 - 1,300 1,250 - 1,300
Building materials: cement dry sand wet sand solid bricks hollow bricks stones soft wood hard sawn timber impregnated timber steel structures milled burnt lime cinders gravel	1,200 - 1,300 1,350 - 1,650 1,700 - 2,050 1,500 - 2,100 1,000 - 1,200 1,500 - 2,200 300 - 450 500 - 600 600 - 800 700 - 7,000 700 - 800 650 - 750 1,600 - 1,800
straw litter and bulk feeds meadow hay dried in the swath	10 - 18

TYPE OF MATERIAL	WEIGHT BY VOLUME kg/m ³
hay wilted in the swath	15 - 25
hay in gathering trailer (dry wilted)	50 - 80
wilted cut hay	60 - 70
dry baled hay	120 - 150
wilted baled hay	200 - 290
stored dry hay	50 - 90
stored cut hay	90 - 150
clover (lucerne) wilted in the swath	20 - 25
clover (lucerne) cut wilted on trailer	110 - 160
clover (lucerne) wilted on gathering trailer	60 - 100
dry stored clover	40 - 60
cut dry stored clover	80 - 140
dry straw in round bales	8 - 15
damp straw in round bales	15 - 20
cut damp straw in bulk trailer	50 - 80
cut dry straw in bulk trailer	20 - 40
cut dry straw in gathering trailer	50 - 90
cut dry straw in stack	40 - 100
baled straw (lightly crushed)	80 - 90
baled straw (heavily crushed)	110 - 150
cereal mass in round bales	20 - 25
cut cereal mass in bulk trailer	35 - 75
cut cereal mass in gathering trailer	60 - 100
green fodder in swath	28 - 35
cut green fodder in bulk trailer	150 - 400
green fodder in gathering trailer	120 - 270
fresh beet leaves	140 - 160
cut fresh beet leaves	350 - 400
beet leaves in gathering trailer	180 - 250
Concentrated feeds and mixed feeds:	
stored chaff	200 - 225
pressed cake	880 - 1,000

TYPE OF MATERIAL	WEIGHT BY VOLUME kg/m ³
milled dry feed	170 - 185
mixed feeds	450 - 650
mineral mixtures	1,100 – 1,300
ground oats	380 - 410
wet sugar beet pulp	830 - 1,000
pressed sugar beet pulp	750 - 800
dry sugar beet pulp	350 - 400
bran	320 - 600
bone meal	700 – 1,000
pasture salt	1,100 – 1,200
molasses	1,350 – 1,450
silage (pit silo)	650 – 1,050
hay silage (tower silo)	550 - 750
Seeds and grains: beans mustard peas lentils runner beans barley clover grass maize wheat oil seed rape linseed lupins oats lucerne rye	750 - 850 600 - 700 650 - 750 750 - 860 780 - 870 600 - 750 700 - 800 360 - 500 700 - 850 720 - 830 600 - 750 640 - 750 700 - 800 400 - 530 760 - 800 640 - 760
Others: dry soil	1,300 – 1,400

TYPE OF MATERIAL	WEIGHT BY VOLUME kg/m ³
wet soil	1,900 – 2,100
fresh peat	700 - 850
garden soil	250 - 350

Source: "Technology of machine work in agriculture", PWN, Warszawa 1985

Loading should be carried out by a person experienced in this type of work and having appropriate authorisation for operating equipment (if required).

Loose bulk material

Loading bulk materials is normally conducted with the use of loaders or conveyors and possibly loading manually. Do not load bulk materials to a height greater than that of side walls or extensions. On completion of loading, the load should be evenly spread over the whole surface of the load box.

Oilseed rape or seeds of other plants of very small size or powder materials can be transported provided the load box is properly sealed in places where gaps are bigger than the seed diameter or other carried material. Profiled rubber seals, silicone sealers, plastic wrap, rope or textile materials are recommended materials to provide sealing of the load box.

Additionally, it is recommended to protect the load with tarpaulin cover. It protects the load against spilling during travel, being blown away by the wind and also protects load against moisture. This is particularly dangerous in the case of bulk materials. They may absorb a significant amount of water, which may increase the bulk of the load during travel. In extreme cases the gross weight of the trailer may exceed the permissible vehicle gross weight.

Some bulk loads (e.g. building materials, such as gravel or slag) may cause more rapid damage to paintwork.

Loads of pieces or solid lumps

Loads of pieces or solid lumps are generally hard materials of significantly greater dimensions than bulk loads (stones, coal, bricks and ballast). These materials without prior preparation of the load box may cause indentation of the floor or sidewalls and abrasion of paintwork. To provide necessary protection, lay thick plywood, hard particle board, thick planks or other materials of similar properties on the load box platform and possibly sidewalls and extensions. Non-compliance with the instructions provided could invalidate the warranty.

Loading of material in pieces or solid lumps must be from a low height. The load must not fall with great force on the floor of the load box, even if it is protected.

Hazardous loads

According to the European ADR agreement concerning the international road transport of hazardous materials, the transport of this type of load (defined in detailed by this agreement) is forbidden with the use of agricultural trailers. The only exception are plant protection materials and artificial fertilisers, which may be transported on agricultural trailers on the condition that they are transported in the appropriate packaging and in quantities envisaged by the ADR agreement.

DANGER



If it is necessary to carry permitted hazardous materials, acquaint yourself with the regulations concerning transport of hazardous materials in force in the given country and also the regulations of the ADR agreement.

Carefully read the information leaflets provided by the load manufacturer, and to observe the instructions for transporting and handling the load. Ensure whether during loading work it is necessary to apply additional personal protection (masks, rubber gloves etc.)

High volume loads

High-volume loads such as hay, round or rectangular bales, straw, green fodder, etc. are recommended to be loaded using proper equipment: round bale grabs, rectangular bale grabs, etc. The load must not be higher than the load box wall extensions. Otherwise, the trailer will exceed the maximum height of 4m allowed for vehicles on public roads.

Loads in packaging

Loads transported in packaging (boxes, sacks) must be laid closely side-by-side beginning from the front side of the trailer. If it is essential to lay several layers, particular groups should be stacked alternately (in block system). The load must be laid tightly together and on the whole surface of the trailer floor. Otherwise, the load will move during travel. Due to the trailer design (the load box designed for the transport of agricultural crops and products, lack of load securing points), materials in packaging may not be loaded above the top of the walls or extensions of load box.

DANGER

Overloading the trailer, erroneous loading and securing of the load is the most frequent cause of accidents during transport.

If there is a danger of load packaging moving, do NOT transport this type of material. A moving load constitutes a serious hazard during travel for the tractor driver and other road users.

The load must be arranged in such a way that it does not threaten the stability of the trailer and does not hinder driving.

The arrangement of the load may not cause an overload on the axle or hitch system of the trailer.

Materials which may cause corrosion of steel, chemical damage or react in any other way negatively affecting the trailer structure may be transported only on condition of appropriate load preparation. Materials must be tightly packed (in plastic foil sacks, plastic containers etc.). During transport, packaging contents may not come into contact with load box. Therefore, ensure the appropriate tightness of containers.

It is impossible to describe all methods of loading due to the diversity of materials, tools, means of fixing and securing a load. The trailer user must carefully read the regulations concerning road transport and comply with them.

4.4 TRANSPORTING LOADS

When driving the tractor with the trailer on public roads, comply with the road traffic regulations. Listed below are the key guidelines for driving the tractor and trailer combination.

- Before moving off make sure that there are no bystanders, especially children, near the trailer or the tractor. Take care that the driver has sufficient visibility.
- Make sure that the trailer is correctly attached to the tractor and tractor's hitch is properly secured.
- Vertical load borne by the trailer drawbar eye affects the steering of the agricultural tractor.
- The trailer must not be overloaded, loads must be uniformly distributed so that the maximum permissible axle loads are not exceeded. The trailer's maximum

carrying capacity must not be exceeded as this can damage the trailer and pose a risk to the operator or other road users.

- Permissible design speed and maximum speed allowed by road traffic law must not be exceeded. The driving speed should be suitable for the current road conditions, the trailer load, type of load carried and other conditions relevant for driving performance of the trailer.
- When not connected to the tractor, the trailer must be immobilised using parking brake and possibly also with chocks or other objects without sharp edges placed under the front and back wheels. Do NOT leave unsecured trailer. In the event of machine malfunction, pull over on the hard shoulder avoiding any risk to other road users and position reflective warning triangle according to traffic regulations.
- When driving on public roads, the trailer must be marked with a slow-moving vehicle warning sign attached to the rear wall of load box, if the trailer is the last vehicle in the group.
- While driving on public roads the trailer must be fitted with a certified or authorised reflective warning triangle.
- Comply with all road traffic regulations and keep all road lights and indicator lights clean at all times and ensure they are in good condition. Any damaged or lost lamps or indicator lights must be immediately repaired or replaced.
- Avoid ruts, depressions, ditches or driving on roadside slopes. Driving across such obstacles could cause the trailer or the tractor to suddenly tilt. This is of special importance because loaded trailer's centre of gravity is higher (especially a high volume load), which reduces safety. Driving near ditches or channels is dangerous as there is a risk of the wheels sliding down the slope or the slope collapsing.
- Speed must be sufficiently reduced before making a turn or driving on an uneven road or a slope.
- When driving, avoid sharp turns especially on slopes.

**ATTENTION**

Travelling with a high-volume load over ruts, ditches, roadside slopes etc. constitutes a great risk of overturning the trailer. Exercise particular caution.

- Please note that the braking distance of the tractor and trailer combination is substantially increased at higher speeds and loads.
- Monitor trailer's behaviour when travelling on an uneven terrain, and adjust driving speed to road conditions, slow down early enough when turning.
- Driving the trailer across the ground with steeper slopes may cause the trailer to tip over as a result of loss of stability. Prolonged driving across steep ground may lead to loss of braking efficiency.

4.5 UNLOADING

The trailer is equipped with hydraulic tipping system and suitable frame structure and the load box allowing tipping to the rear. Tipping of the load box is controlled from driver's cab using external tractor hydraulic system selective control valve.

Unloading trailer is performed in the following sequence:

- ➔ tractor with trailer must be placed to drive forwards on flat and hard ground,
- ➔ immobilise tractor with parking brake,
- ➔ open the trailer tailgate by means of hydraulic cylinders by operating a lever of the tractor hydraulic manifold,
- ➔ raise the load box by means of the manifold lever in the tractor cab,
- ➔ after unloading, lower the load box and clean the floor edges,
- ➔ close the tailgate by operating the suitable hydraulic circuit from the tractor,
 - ⇒ Tailgate must be closed until the tailgate forks are locked in the load box hooks,
- ➔ before moving off make sure that the tailgate is properly locked,
- ➔ remove remains of load from the trailer.

ATTENTION

Tipping may only be performed when trailer is hitched to tractor.

Tipping the load box must be done on hard and level ground.

Do NOT tip load box in strong gusty winds conditions.

Do NOT move off or drive when load box is raised.

Before unloading the trailer, check that the pins connecting the load box with the lower frame are properly secured.

Do NOT jerk the trailer forwards if load is bulky or reluctant to pour and does not unload.

While unloading bulky materials be especially careful. Do NOT tip load box on uneven or wet ground and move and jerk trailer during unloading. Bulky materials are normally difficult to unload. Therefore, proceed cautiously and patiently. Careless operation of trailer may pose a danger to operators and bystanders can also cause damage to the machine.

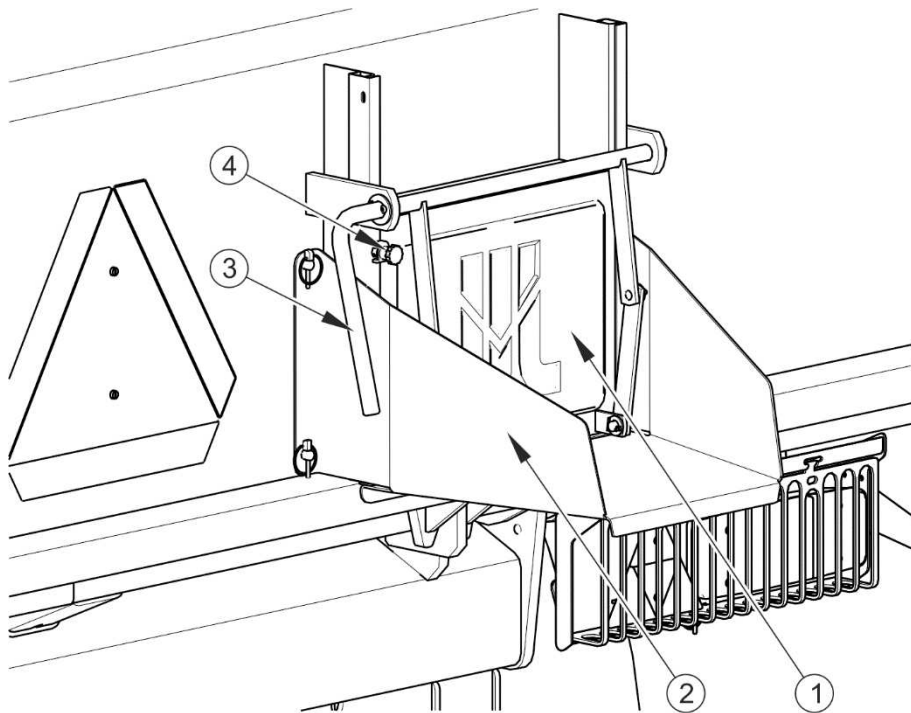


FIGURE 4.2 Chute

(1) chute slide gate, (2) chute, (3) lever, (4) locking bolt

DANGER

Ensure that during unloading nobody is near tipped load box or load material pouring out.

When closing the rear grain chute gate take particular care to avoid crushing fingers.

Rear load box wall is equipped with chute slide gate (1) – figure (4.2) and chute (2) (optional equipment) which is used for unloading loose materials. Chute design allows very accurate dosing of the material to packaging (sacks, boxes etc.). The opening gap can be controlled using lever (3). In order to do that loosen the bolt interlocking slide gate (4), open the slide as required and lock again using the bolt. During unloading through chute, load box must be raised slowly and smoothly. Raising the load box quickly will exert large pressure on the rear part of the load box due to displacement of the carried material and could compromise trailer's stability.

4.6 PROPER USE AND MAINTENANCE OF TYRES

- When working on the tyres, chocks or other objects without sharp edges should be placed under the wheels of the trailer to prevent it from rolling. Wheel may be taken off the trailer axle only when the trailer is not loaded.
- Repair work on the wheels or tyres should be carried out by persons trained and entitled to do so. This work should be carried out using appropriate tools.
- Inspect tightness of wheel nuts after the first use of the trailer, every 2 - 3 hours during first month of work and then every 30 hours of use (travel). The inspection should be repeated individually if a wheel has been removed from the wheel axle. Wheel nuts should be tightened according to recommendations provided in section 5 *MAINTENANCE*.
- Regularly check and maintain correct air pressure in tyres according to Operator's Manual (especially if trailer is not used for a longer period).
- Pressure and tyres should be also checked during the whole day of intensive work. Please note that higher temperatures could raise tyre pressure by as much as 1 bar. At high temperatures and pressure, reduce load or speed.

- Do not release air from warm tyres to adjust the pressure or the tyres will be underinflated when temperatures return to normal.
- Tyre valves should be protected with caps to avoid soiling.
- Do not exceed the trailer's maximum design speed.
- When the trailer is operated all day, stop working for a minimum of one hour in the afternoon.
- Adhere to 30 minutes rest for cooling tyres after driving 75 km or after 150 minutes continuous travel depending on which occurs first.
- Avoid potholes, sudden manoeuvres or high speeds when turning.

SECTION

5

MAINTENANCE

5.1 PRELIMINARY INFORMATION

When using the trailer, regular inspections of its technical condition are essential and the performance of maintenance procedures, which keep the machine in good technical condition. In connection with this the user of the trailer is obliged to perform all the maintenance and adjustment procedures defined by the Manufacturer.



ATTENTION

Repairs during the warranty period may only be performed by authorised service points.

Detailed procedures and extent of activities which the user may perform by himself are described in this section. In the event of unauthorised repairs, changes to factory settings and other actions, which are not regarded as possible for the trailer operator to perform, the user shall invalidate the warranty.

5.2 MAINTENANCE OF BRAKES AND AXLES

5.2.1 PRELIMINARY INFORMATION

Work connected with the repair, change or regeneration of axle and brakes elements should be entrusted to specialist establishments, having the appropriate technology and qualifications for this type of work.

The responsibilities of the user are limited to:

- initial inspection of axle brakes,
- inspection and adjustment of slackness of axle bearings,
- mounting and dismounting wheel, inspection of wheel tightening,
- checking air pressure, evaluating technical condition of wheels and tyres,
- mechanical brakes adjustment,

Procedures connected with:

- changing grease in axle bearings,

- changing bearings, hub seals,
- changing brake linings, repairing brake,

may be performed by specialist workshops.



DANGER

Do NOT use the trailer when brake system is unreliable.

5.2.2 INITIAL INSPECTION OF AXLE BRAKES



Initial inspection of axle brakes must be conducted:

- *after first use,*
- *after first travel with load.*

After purchasing trailer, the user is responsible for general checking of brake system of trailer axle.


Inspection procedures

- ➔ Hitch trailer to tractor and place chocks under trailer wheel.
- ➔ Check fixing of cylinder and return springs.
- ➔ Engage and release in turn the main brake and then the trailer parking brake.
 - ⇒ Main brake and parking brake should be engaged and released without great resistance and severity.
- ➔ Check cylinder movement and correct return of piston to start position.
 - ⇒ The help of a second person is required, who shall engage trailer brake.
- ➔ Check if axle elements are in place, (cotter pins in castellated nuts, expansion rings etc.).
- ➔ Check hydraulic cylinders or pneumatic cylinders for tightness - compare sections 5.3.2 and 5.4.2.

5.2.3 CHECKING BRAKE SHOE LININGS FOR WEAR

During use of trailer, friction lining of brake drums is subject to wear. In such a case, the complete brake shoes should be replaced with new ones. Excessive wear of brake shoes is the condition in which the thickness of linings which are glued or riveted to steel structures of brake shoes is smaller than the minimum value. Check brake shoe linings for wear through the inspection opening (2) – see Figure (5.1).

Check brake shoe linings for wear:



- every 6 months,
- if brakes overheat,
- if brake cylinder piston stroke is significantly longer,
- if there are unusual noises from the drum of wheel axle.

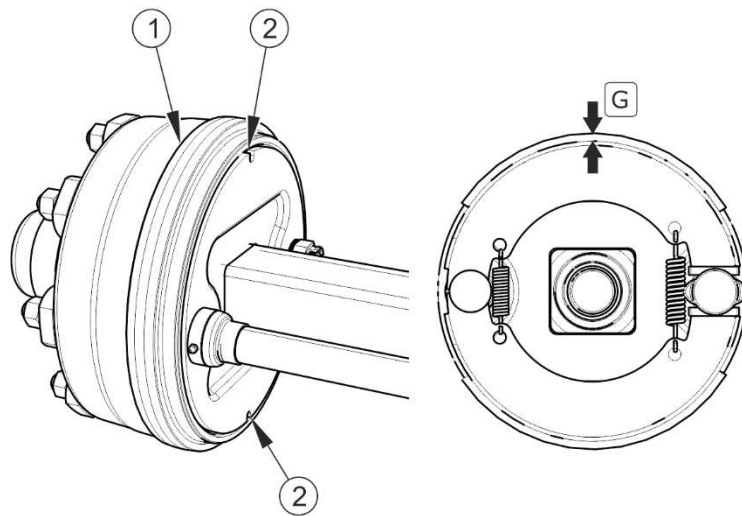



FIGURE 5.1 *Checking brake shoe linings*

(1) wheel axle drum, (2) inspection opening for checking wear of brake shoe linings, (G) brake shoe lining thickness



ATTENTION

Minimum thickness of the trailer brake linings is 5 mm.

5.2.4 CHECKING WHEEL AXLE BEARINGS FOR SLACKNESS

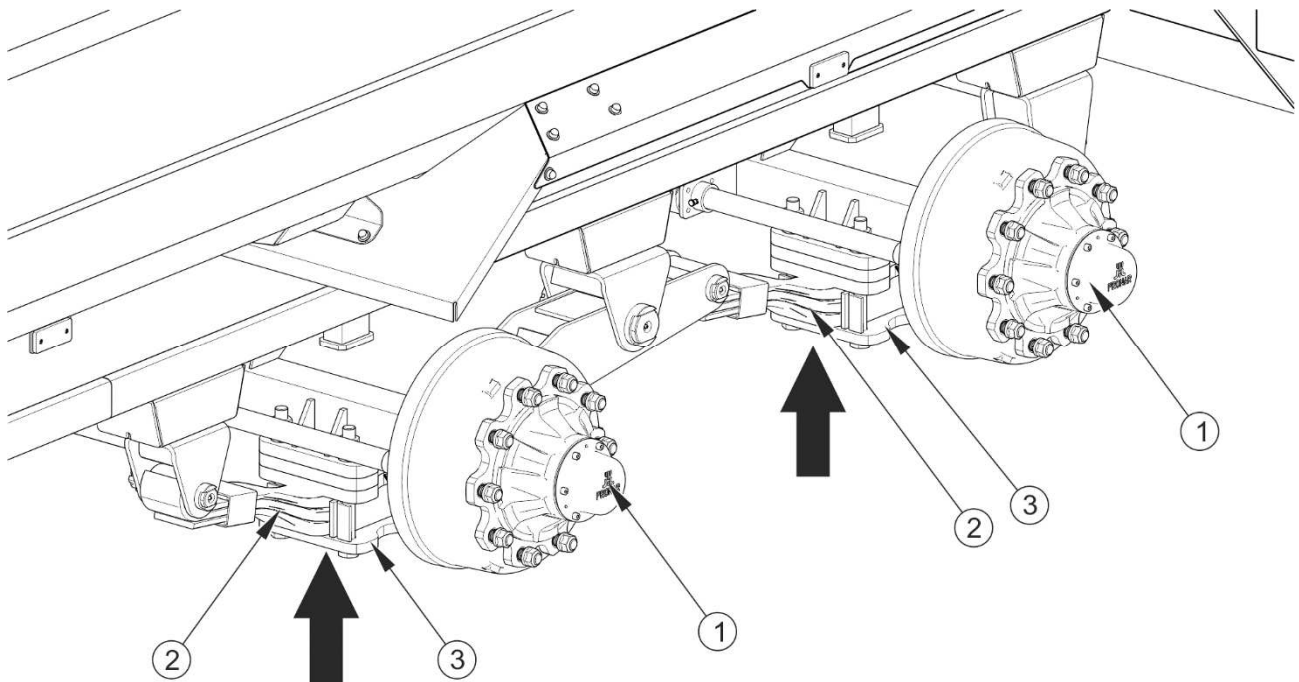


FIGURE 5.2 *Lifting jack support point*

(1) axle, (2) suspension spring, (3) absorber plate

DANGER



Before commencing work the user must read the instructions for lifting jack and adhere to the manufacturer's instructions.

The lifting jack must be stably supported on the ground and absorber plate.

Ensure that trailer shall not move during inspection of axle bearing slackness.

Preparation procedures

- ➔ Hitch trailer to tractor, immobilize tractor with parking brake.
- ➔ Park tractor and trailer on hard level ground.
 - ⇒ Tractor must be placed to drive forward.
- ➔ Place the wheel chocks under the wheel opposite to the lifted wheel. Ensure that trailer shall not move during inspection.
- ➔ Raise the wheel (opposite to the side where chocks are placed).

- ⇒ The lifting jack should be placed under the absorber plate (3) fixing the axle (1) to the suspension spring (2) - figure (5.2). Recommended support point is marked with an arrow. Lifting jack must be suitable for the weight of trailer.

Checking wheel axle bearings for slackness

- ➔ Turning the wheel slowly in both directions check that movement is smooth and that the wheel rotates without excessive resistance.
- ➔ Turn the wheel so that it rotates very quickly, check that the bearing does not make any unusual sounds.
- ➔ Moving the wheel try to detect slackness.
 - ⇒ You may use a lever placed under the wheel supporting the other end of the lever on the floor.
- ➔ Repeat the procedure for each wheel individually, remembering that the jack must be on the side opposite to the chocks.

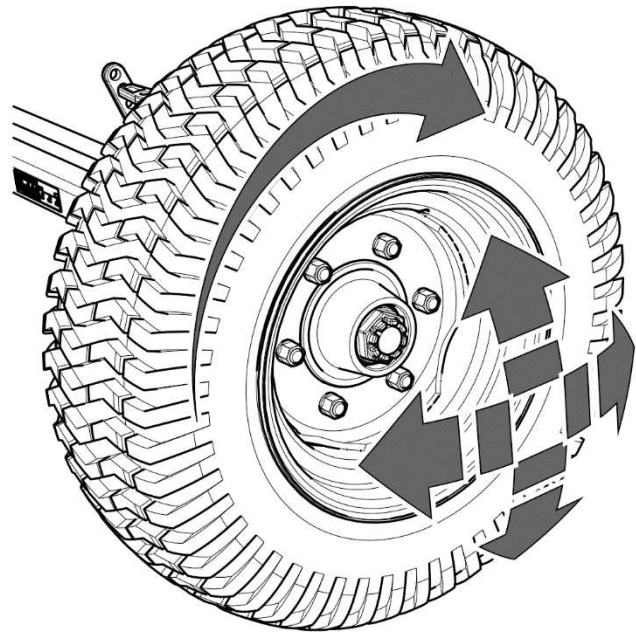


FIGURE 5.3 *Checking bearings for slackness*

If slackness is felt, adjust bearings. Unusual sounds coming from bearing may be symptoms of excessive wear, dirt or damage. In such an event, the bearing, together with sealing ring, should be replaced with new parts, or cleaned and greased again. During inspection of bearings ensure that possibly detected slackness comes from the bearing and not from the suspension system (e.g. slackness of leaf spring pins etc.).

**TIP**

If hub cover is damaged or missing, contamination and dampness enter the hub, which causes significantly faster wear of bearing and hub seals.

Life of bearings is dependent on working conditions of the trailer, loading, speed of travel and lubrication conditions.

Check condition of hub cover, if necessary replace it with a new cover. Inspection of bearing slackness may only be conducted when the trailer is hitched to tractor and the load box is empty and not raised.



Check wheel axle bearings for slackness:

- *after travelling the first 1,000 km,*
- *after intensive use of trailer,*
- *every six months use or every 25,000 km.*

5.2.5 ADJUSTMENT OF SLACKNESS OF WHEEL AXLE BEARINGS

The wheel should turn smoothly without stiffness or detectable resistance not originating from abrasion of brake shoes in brake drum. Adjustment of bearing slackness may only be conducted, when the trailer is hitched to a tractor and the load box is empty.

Preparation procedures

- ➔ Prepare tractor and trailer for adjustment procedures according to description provided in section 5.2.4.

Adjustment of slackness of wheel axle bearing

- ➔ Take off hub cover (1) – figure (5.3).
- ➔ Take out cotter pin (3) securing castellated nut (2).
- ➔ Tighten castellated nut in order to eliminate slackness.
 - ⇒ Wheel should rotate with insignificant resistance.
- ➔ Undo nut (not less than 1/3 rotation) to align the nearest thread groove with the opening in wheel axle pin. Wheel should rotate without excessive resistance.

⇒ Nut must not be excessively tightened. Do not apply excessive pressure because working conditions of the bearings may deteriorate.

- ➔ Secure castellated nut with cotter pin and mount the hub cap.
- ➔ Delicately tap the hub cap with rubber or wooden mallet.

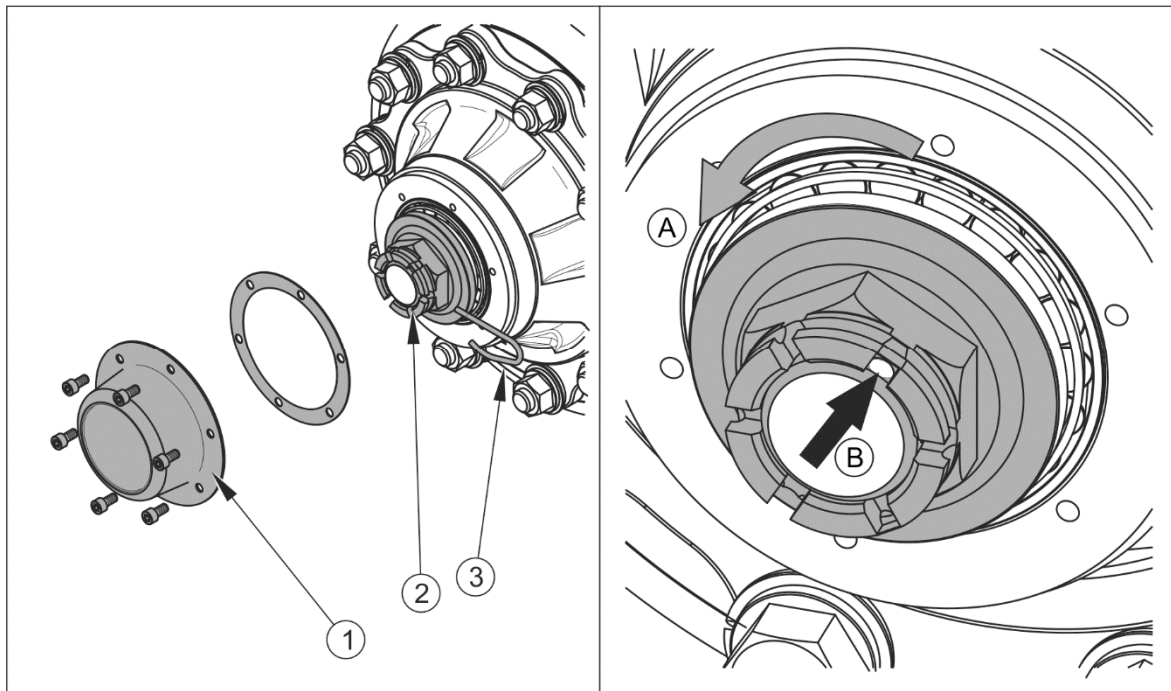


FIGURE 5.4 Adjustment of slackness of axle bearings

(1) hub cover, (2) castellated nut, (3) cotter pin



TIP

If the wheel is dismantled, bearing slackness is easy to check and adjust.

5.2.6 MOUNTING AND DISMOUNTING WHEEL, INSPECTION OF WHEEL NUT TIGHTENING.

Dismounting wheel

- ➔ Immobilise trailer with parking brake.
- ➔ Place the wheel chocks under the wheel opposite to the dismantled wheel.
- ➔ Ensure that trailer shall not move during wheel dismantling.

- ➔ Loosen wheel nuts according to sequence shown in figure (5.5).
- ➔ Place a lifting jack and raise the trailer to a sufficient height so that the wheel to be replaced does not touch the ground.
 - ⇒ The lifting jack should have sufficient lifting capacity and should be technically reliable.
 - ⇒ The lifting jack must be positioned on a level and hard surface so as to prevent sinking into the ground or relocating the jack during lifting.
 - ⇒ If necessary, use proper backing plates in order to reduce unit pressure of the jack's base on the ground and prevent its sinking into the ground.
- ➔ Dismount wheel.

Wheel mounting



TIP

Wheel nuts should be tightened using the torque of 450 Nm - M22x1.5 nuts.

- ➔ Clean axle pins and nuts of contamination.
 - ⇒ Do not grease thread of nuts and pins.
- ➔ Check condition of pins and nuts, if necessary replace them.
- ➔ Place wheel on hub, tighten nuts so that wheel rim tightly fits the hub.
- ➔ Lower the trailer, tighten nuts according to recommended torque and given sequence.

ATTENTION



Wheel nuts may not be tightened with impact wrench because of danger of exceeding permissible tightening torque, the consequence of which may be breaking the thread connection or breaking off the hub pin.

The greatest precision is achieved using a torque spanner. Before commencing work, ensure that correct tightening torque value is set.

Tightening nuts

Nuts should be tightened gradually diagonally, (in several stages, until obtaining the required tightening torque) using a torque spanner. Tightening of nuts should be checked with the frequency given in the below table.

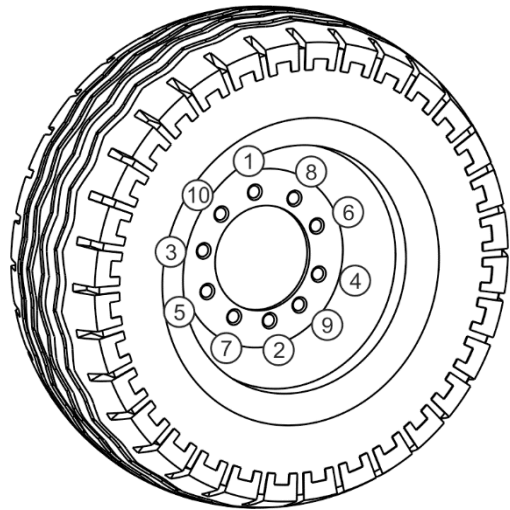


FIGURE 5.5 Sequence of tightening and undoing nuts

Checking wheel tightening:



- After the first use of trailer (one-time inspection).
- Every 2 – 3 hours of trailer travel (during the first month of trailer use).
- Every 30 hours of trailer travel.
- The above actions should be repeated individually if a wheel has been removed from the wheel axle.

5.2.7 CHECKING AIR PRESSURE IN TYRES, EVALUATING TECHNICAL CONDITION OF TYRES AND STEEL WHEELS

Air pressure in tyres should be checked each time after changing a spare wheel and at least once a month. In the event of intensive use, air pressure in tyres should be checked more frequently. During this time, the trailer must be unloaded. Checking should be done before travelling when tyres are not heated, or after an extended period of parking.



TIP

Tyre pressure values are specified in information decal, placed on wheel or on upper frame above trailer wheel.

While checking pressure pay attention to technical condition of wheels and tyres. Look carefully at tyre sides and check the condition of tread. In case of mechanical damage consult the nearest tyre service and check whether the tyre defect requires tyre replacement.

**DANGER**

Damaged tyres or wheels may be the cause of a serious accident.

Wheels should be inspected with regard to distortion, breaking of material, breaking of welds, corrosion, especially in the area of welds and contact with tyre.

Proper technical condition and appropriate maintenance of wheels significantly extends the life of these components and ensures appropriate level of safety to trailer users.



Checking air pressure in tyres and visual inspection of steel wheels:

- *every month of use,*
- *every week during intensive work.*

5.2.8 MECHANICAL BRAKES ADJUSTMENT

Considerable wear of brake shoe linings results in increased brake cylinder piston stroke and worse braking efficiency.

**TIP**

Correct brake cylinder piston stroke should be within the range of 25 – 45 mm.

During braking, the brake cylinder piston stroke should be within the specified operating range and the angle between brake cylinder piston (1) and expander arm (3) should be about 90° – compare figure (5.8), (5.9). Trailer wheels must brake simultaneously.

Braking force decreases also when the operating angle of the brake cylinder rod (5) – figure (5.6), (5.7) in relation to the expander arm (1) is wrong. In order to obtain the optimum mechanical operating angle, the cylinder piston fork (6) must be installed on the expander arm (1) in such a manner as to ensure that the operating angle at full braking is about 90°.

The inspection involves measuring the extension length of each brake cylinder rod while braking at parking. If the brake cylinder piston stroke exceeds the maximum value (45 mm), the braking system should be adjusted.

During dismantling of cylinder fork (6) remember or mark the original position of the cylinder fork pin (7) - figure (5.6), (5.7). Mounting position depends on the type of the braking system and size of the trailer tires. It is selected by the manufacturer and cannot be changed.



ATTENTION

Incorrectly adjusted brake may cause rubbing of brake shoes against brake drums, which may lead to faster wear of brake linings and/or brake overheating.



Check technical condition of brakes:

- *Before the period of intensive use.*
- *Every 6 months.*
- *After repair of braking system.*
- *In case of uneven trailer wheel braking.*

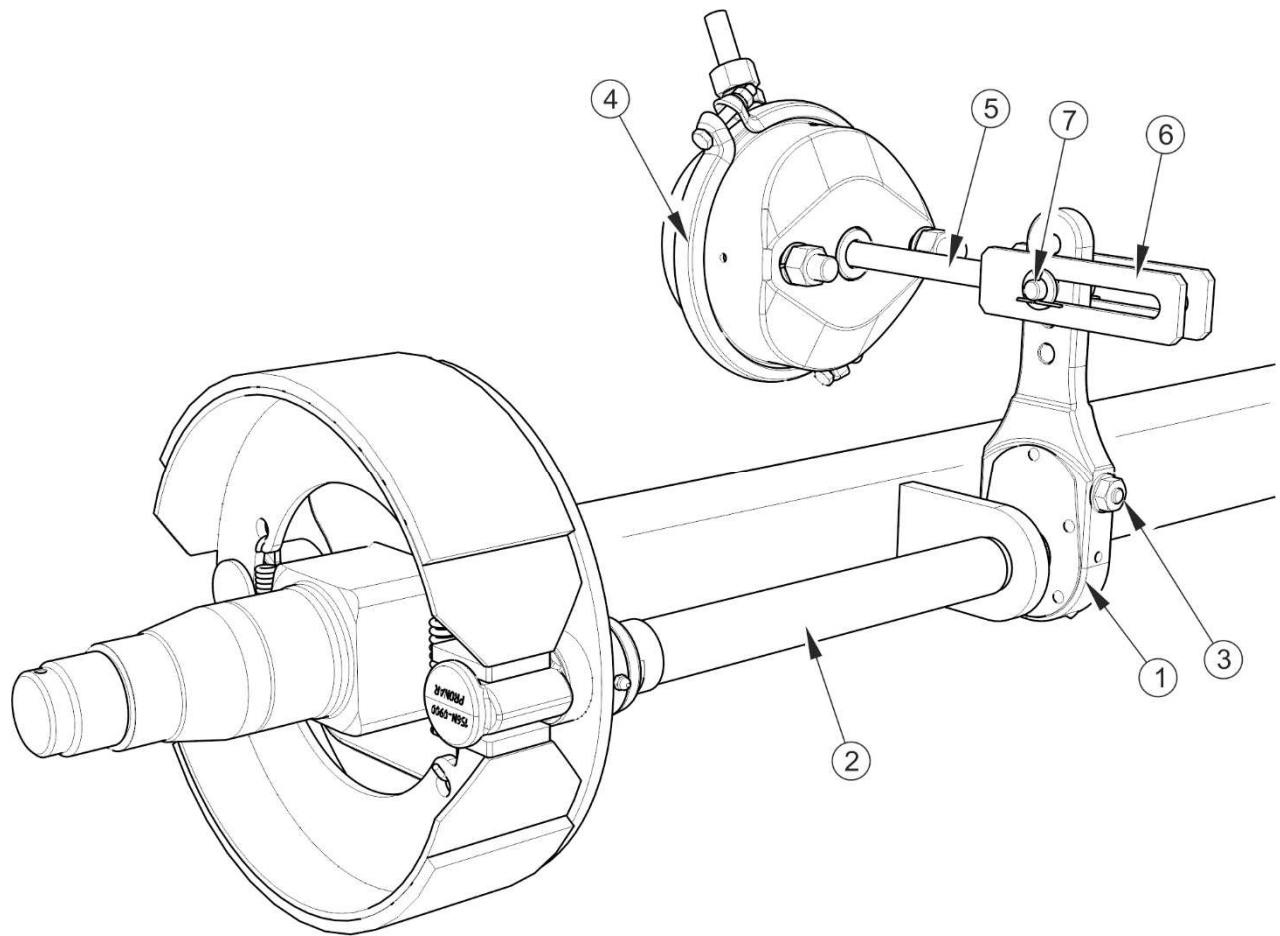


FIGURE 5.6 *Design of pneumatic wheel axle brake*

(1) *expander arm* , (2) *expander shaft*, (3) *adjustment bolt*, (4) *pneumatic cylinder*, (5) *cylinder piston rod*, (6) *cylinder fork*, (7) *cylinder pin*

ATTENTION



The positions for fixing the brake cylinder in the bracket openings and the brake cylinder pin in the expander arm are determined by the Manufacturer and must not be changed.

Each time when dismantling the pin or brake cylinder, the original fixing position should be marked.

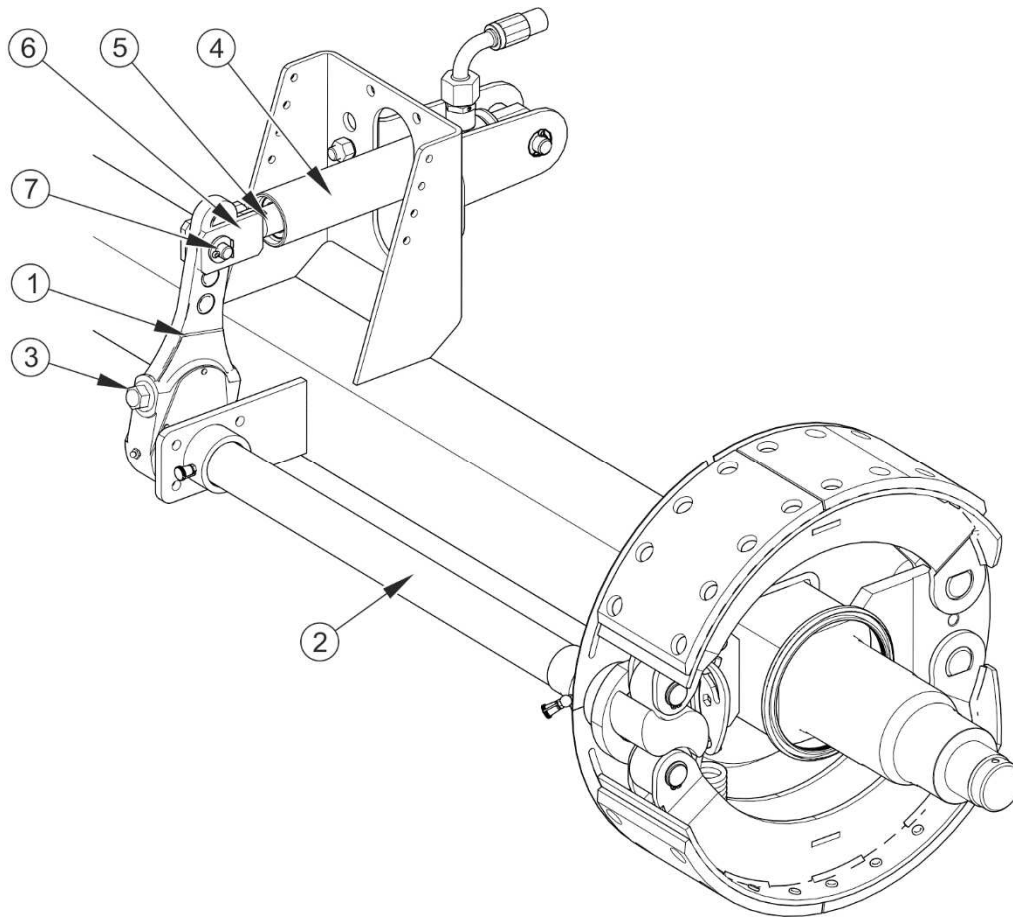


FIGURE 5.7 *Design of hydraulic wheel axle brake*

(1) expander arm , (2) expander shaft, (3) adjustment bolt, (4) hydraulic cylinder, (5) cylinder piston rod, (6) cylinder fork, (7) cylinder pin

TABLE 5.1 **Operating parameters of cylinders**

TYPE OF CYLINDER	NOMINAL STROKE L [MM]	MINIMUM STROKE L _{min} [MM]	MAXIMUM STROKE L _{max} [MM]
Pneumatic	75	25	45
Hydraulic	140	25	45

Required maintenance activities

- Hitch trailer to tractor.
- Turn off tractor engine and remove key from ignition.
- Immobilise tractor with parking brake.

- ➔ Make sure that the trailer's brakes are not engaged.
- ➔ Secure the trailer against moving by placing wheel chocks.

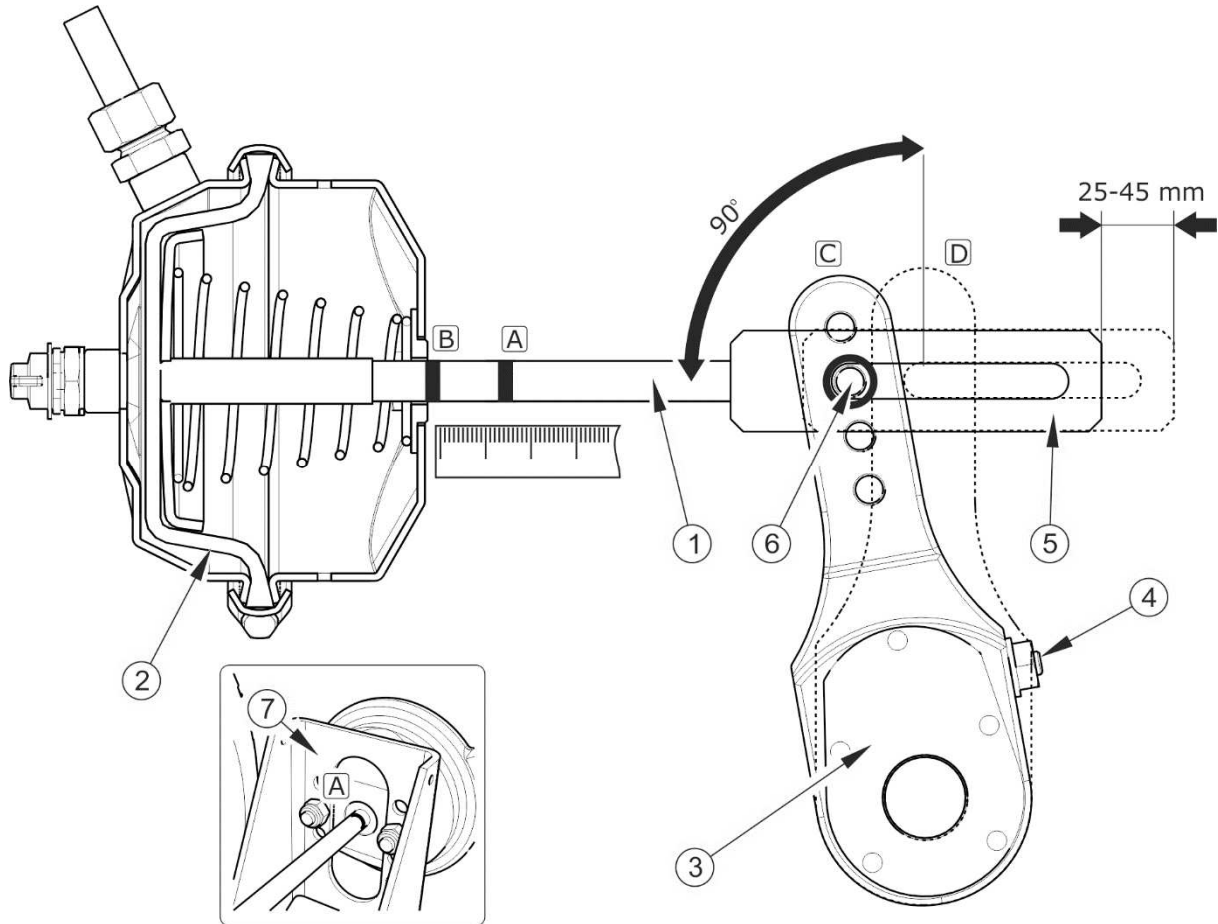


FIGURE 5.8 Principle of pneumatic brake adjustment

(1) cylinder piston rod, (2) brake cylinder membrane, (3) expander arm, (4) adjustment bolt, (5) cylinder fork, (6) fork pin, (7) brake cylinder bracket, (A) mark on the cylinder piston rod at brake release position, (B) mark on the cylinder piston rod at full braking position, (C) position of arm at brake release position, (D) position of arm at full braking position

- ➔ Make a line (A) on the brake cylinder piston (1) to indicate the position of the maximum withdrawal of the brake cylinder piston rod when the trailer's brakes are released.
- ➔ Press the tractor brake pedal and mark the position of the maximum extension of the brake cylinder piston rod with a line (B).

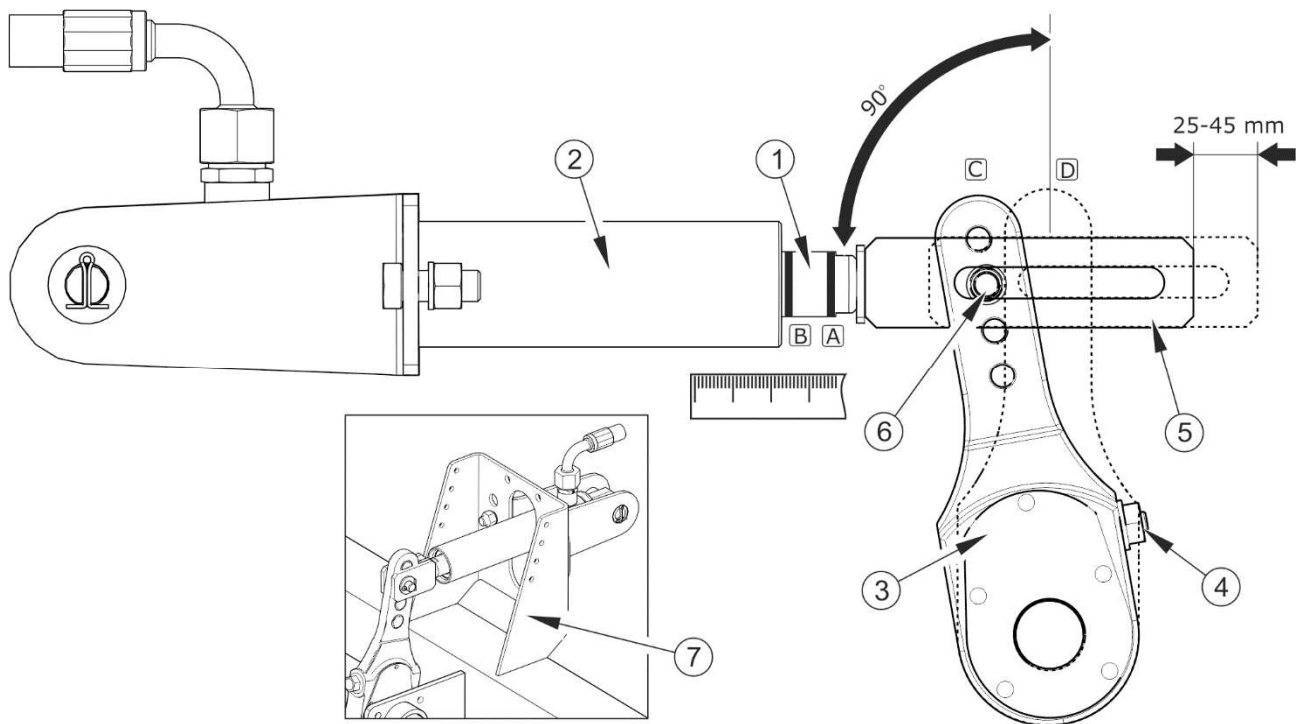


FIGURE 5.9 Principle of hydraulic brake adjustment

(1) cylinder piston rod, (2) cylinder housing, (3) expander arm, (4) adjustment bolt, (5) cylinder fork, (6) fork pin, (7) brake cylinder bracket, (A) mark on the cylinder piston rod at brake release position, (B) mark on the cylinder piston rod at full braking position, (C) position of arm at brake release position, (D) position of arm at full braking position

- Measure the distance between lines (A) and (B). If the stroke of the brake cylinder piston rod is outside the proper operating range (25 – 45 mm), adjust the expander arm.
- Dismantle brake cylinder fork pin (6) – figure (5.8), (5.9).
- Remember or mark the original position of pin (6) in expander arm opening (3) – figure (5.8).
- Check if the brake cylinder piston rod moves freely and within the whole nominal range.
- Check if the brake cylinder vent holes are not blocked with impurities and that there is no water or ice inside the brake cylinder (pneumatic cylinder). Check if the brake cylinder is correctly installed.

**ATTENTION**

Do not disassemble the membrane cylinder. The membrane is glued into and may lose its tightness.

- ➔ Clean the brake cylinder. If necessary, defrost the brake cylinder and drain water through the unblocked vent holes. (pneumatic cylinder). Replace damaged brake cylinder with a new one. When installing the brake cylinder, maintain its original position with regard to bracket (7).
- ➔ Rotate adjustment bolt (4) to align the marked expander arm opening with the brake cylinder fork opening.
 - ⇒ During the adjustment, membrane (2) must rest on the rear wall of the brake cylinder – compare figure (5.8) - (pneumatic cylinder).
- ➔ Install the brake cylinder fork pin and washers and secure the pin with cotter pins.
- ➔ Rotate adjustment bolt (4) to the right until one or two clicking sounds are heard in the expander arm regulating mechanism.
- ➔ Repeat adjustment activities for the other brake cylinder on the same axle.
- ➔ Engage the brake.
- ➔ Remove previous marks and measure the brake cylinder piston rod stroke again.
- ➔ If the brake cylinder piston rod stroke is outside the proper operating range, repeat the adjustment.

5.2.9 CHANGE OF PARKING BRAKE CABLE AND ADJUSTMENT OF CABLE TENSION.

Proper operation of the parking brake is dependent on the effectiveness of the front axle brake and the correct brake cable tension.

Replacing the parking brake cable

- ➔ Hitch trailer to tractor. Park trailer and tractor on level surface.
- ➔ Place securing chocks under one trailer wheel.

- ➔ Fully unscrew the bolt of the brake crank mechanism (1).
- ➔ Loosen the nuts (7) of U-shaped clamps (5).
- ➔ Remove the pins of the lever (4) and crank mechanism (1), remove the shackle (6).
- ➔ Dismantle handbrake cables (2) and (3).

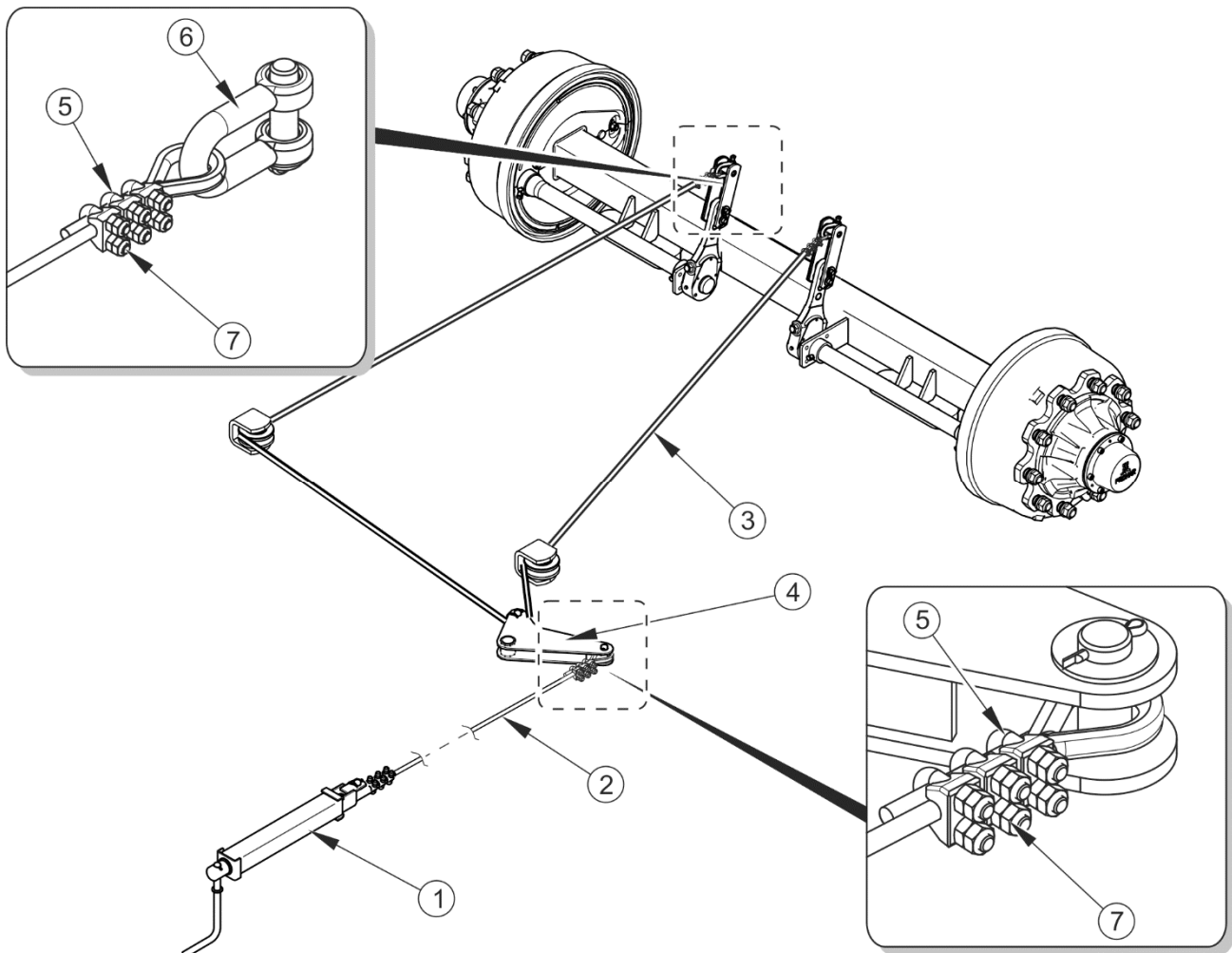


FIGURE 5.10 *Adjustment of parking brake cable tension*

(1) brake crank mechanism, (2) brake cable I, (3) brake cable II (4) brake lever, (5) U-shaped clamp, (6) shackle (7) clamping nuts

- ➔ Clean parking brake components, lubricate parking brake crank mechanism and pins of cable guide rollers.
- ➔ Install new cables (2) and (3).
- ➔ Install bolts and new securing cotter pins.

- ➔ After the first load of cable, re-check the condition of cable end, correct if necessary.

Installation of steel cable

- ➔ Secure cable ends by means of heat shrink tubing (5).
- ➔ Install thimble (3) on cable (1).
- ➔ Install clamp jaws (2) and tighten nuts (4) using proper tightening torque.
- ➔ Clamp jaws must be placed on the load bearing side of cable - see figure (5.11).
- ➔ The first clamp should be placed directly on the thimble.
- ➔ The first clamp should be placed directly on the thimble.

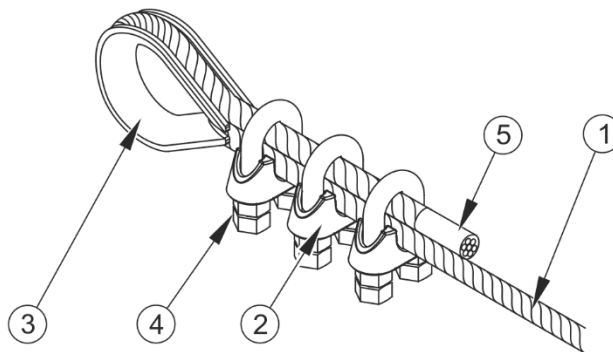


FIGURE 5.11 *Installing the parking brake cable*

(1) steel cable, (2) clamp jaw, (3) thimble, (4) nut, (5) heat shrink tubing

Adjustment of parking brake cable tension

- ➔ Hitch trailer to tractor. Park trailer and tractor on level surface.
- ➔ Place securing chocks under one trailer wheel.
- ➔ Unscrew the brake mechanism bolt maximally (1) – figure (5.10), (counterclockwise).
- ➔ Loosen nuts (7) of cable clamps (5) of handbrake cable (2).
- ➔ Tighten cable and tighten clamps.

- ⇒ Length of parking brake cables should be so selected that at total release of working and parking brake the cables would be loose and hanging by 1 - 2 cm compared to fully tensioned cables.

Adjustment of parking brake cable tension should be conducted in the event of:

- stretching of cable,
- loosening of parking brake cable clamps
- after adjustment of axle brakes,
- after repairs to axle brake system,
- after repairs in parking brake system.

Before commencing adjustment make certain that the main break is correctly regulated and is functioning properly.



Checking and/or adjustment of parking brake:

- *every 12 months,*
- *if needed.*

5.3 PNEUMATIC SYSTEM MAINTENANCE

5.3.1 PRELIMINARY INFORMATION

Work connected with repair, replacement or regeneration of system components (brake cylinders, conduits, control valve, braking force regulator, etc.) should be entrusted to specialist establishments, having the appropriate technology and qualifications for this type of work.

The duties of the operator connected with the pneumatic system maintenance include:

- checking tightness and visual inspection of the system,
- cleaning the air filter (filters),
- draining water from air tank,
- cleaning drain valve,
- cleaning and maintaining pneumatic conduit connections,

- replacement of the pneumatic conduit.



DANGER

Do NOT use the trailer when brake system is unreliable.

5.3.2 CHECKING AIR TIGHTNESS AND VISUAL INSPECTION OF PNEUMATIC SYSTEM



Check system tightness

- *after travelling the first 1,000 km,*
- *each time after making repairs or changing system components,*
- *annually.*

Checking air tightness of pneumatic systems

- ➔ Hitch trailer to tractor.
- ➔ Immobilise tractor and trailer with parking brake. Place chocks under trailer rear wheel.
- ➔ Start tractor in order to supplement air in trailer brake system tank.
 - ⇒ In single conduit systems air pressure should be between 5.8 - 6.5 bar.
 - ⇒ In double conduit systems air pressure should amount to approx. 6.5 bar.
- ➔ Turn off tractor engine.
- ➔ Check system components by releasing brake pedal in tractor.
 - ⇒ Give particular attention to conduit connections and brake cylinders.
- ➔ Repeat the system check with depressed tractor brake pedal.
 - ⇒ The help of a second person is required.

In the event of the appearance of leaks, compressed air will escape at the places of damage, with a characteristic hiss. Lack of system tightness may be also detected by covering checked elements with washing fluid or other foaming preparations, which will not react

aggressively with system components. Damaged components should be replaced or repaired. If leaks appear at connections then tighten the connections. If air continues to escape, replace connection components or seals.

Visual inspection of the system

During tightness inspection attention should additionally be given to technical condition and degree of cleanness of the system components. Contact of pneumatic conduit seals etc. with oil, grease, petrol etc. may cause damage and accelerate the ageing process. Bent, permanently deformed, cut or worn conduits should be replaced.



Visual inspection of the system

- *Conduct inspection of system at the same time as when checking tightness.*



ATTENTION

Repair, exchange or regeneration of pneumatic system components may only be performed in a specialised workshop.

5.3.3 CLEANING THE AIR FILTERS

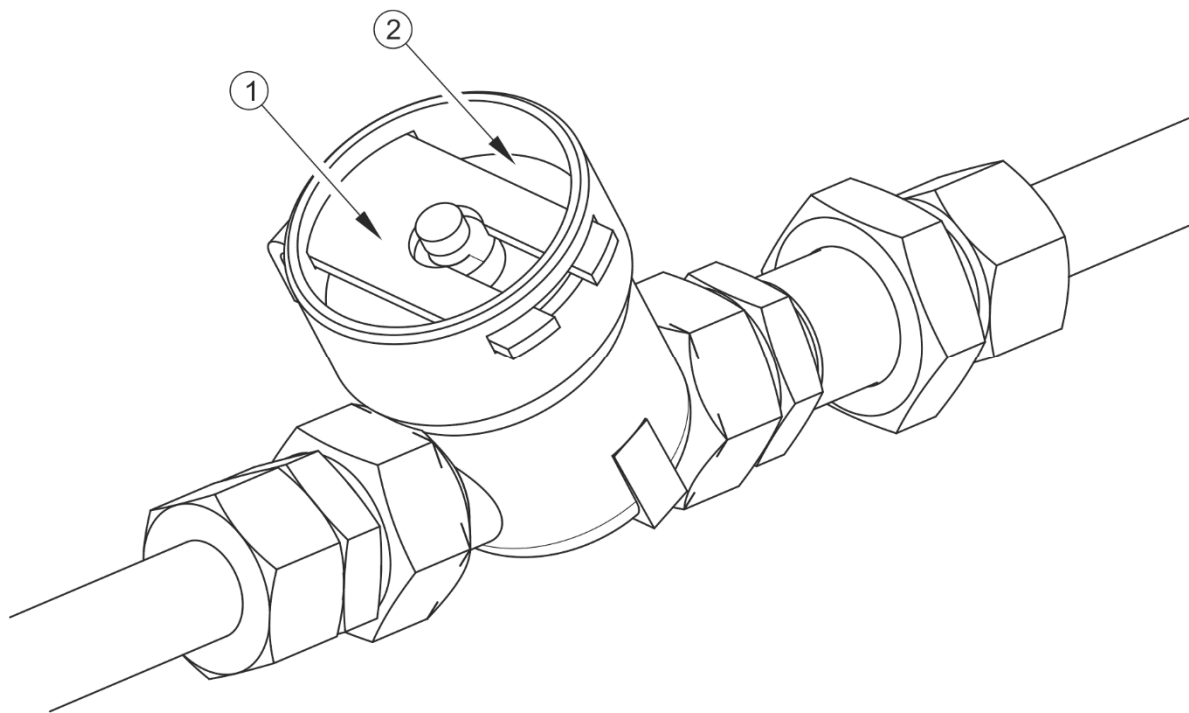


FIGURE 5.12 Air filter

(1) securing slide lock, (2) air filter cover



DANGER

Before proceeding to dismantle filter, reduce pressure in supply conduit. While disengaging filter slide gate, hold cover with other hand. Stand away from filter cover vertical direction.

Depending on trailer working conditions, but not less than once in three months, take out and clean air filter elements, which are located in pneumatic system connection conduits. Filter elements are reusable and are not subject to change unless they are mechanically damaged.

Required maintenance activities

- ➔ Reduce pressure in supply conduit.
 - ⇒ Reduction of pressure in conduit may be achieved by pressing the head of the pneumatic connection until resistance is felt.
- ➔ Slide out securing slide lock (1) – figure (5.12).

- ⇒ Hold the filter cover (2) with the other hand. After removing slide lock, the cover is pushed off by the spring located in the filter housing.
- ➔ The filter element and the filter body should be carefully washed out and blown through with compressed air. Assembly should be done in reverse order.



Cleaning the air filter (filters):

- *every 3 months of use,*

5.3.4 DRAINING WATER FROM AIR TANK

Required maintenance activities

- ➔ Tilt drain valve stem (1) located in the lower part of tank (2).
- ⇒ The compressed air in the tank causes the removal of water to the exterior.
- ➔ Released valve stem should automatically close and stop flow of air from the tank.



Draining water from air tank:

- *after each week of use.*

If the valve stem resists returning to its position, then the whole drain valve must be unscrewed and cleaned or replaced (if it is damaged) - see section 5.3.5.

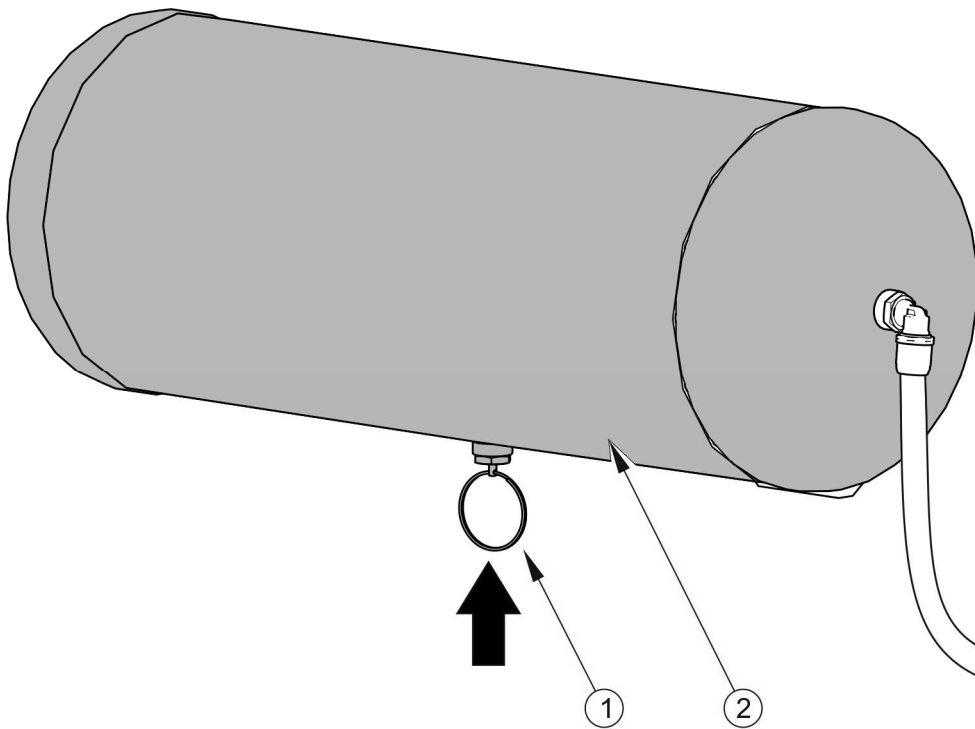


FIGURE 5.13 *Draining water from air tank*

(1) drain valve, (2) air tank

5.3.5 CLEANING THE DRAIN VALVE



DANGER

Release air from the air tank before dismantling drain valve.

Required maintenance activities

- ➔ Completely reduce pressure in air tank.
 - ⇒ Reduction of pressure in tank is achieved by tilting the drain valve stem.
- ➔ Unscrew valve.
- ➔ Clean valve, blow with compressed air.
- ➔ Change copper seal.
- ➔ Screw in valve, fill tank with air and check tank tightness.



Cleaning valve:

- *every 12 months (before winter period).*

5.3.6 CLEANING AND MAINTAINING PNEUMATIC CONDUIT CONNECTIONS AND PNEUMATIC SOCKETS



DANGER

Unreliable and dirty trailer connections may cause unreliability and faulty functioning of braking system.

Damaged connection body or socket for connecting the second trailer should be replaced. In event of damage to cover or seal, change these elements for new reliable elements. Contact of pneumatic connector seals with oils, grease, petrol etc. may cause damage and accelerate ageing process.

If the trailer is unhitched from the tractor, connections should be protected by covers or placed in their designated sockets. Before the winter period it is recommended to preserve the seal with special preparations (e.g. silicon grease for rubber elements).

Each time before hitching the machine, inspect technical condition and cleanness of connectors and sockets in tractor. If necessary, clean or repair tractor sockets.



Inspecting trailer connections:

- *connection should be inspected every time before connecting trailer to tractor or second trailer.*

5.3.7 REPLACEMENT OF PNEUMATIC CONDUIT

Pneumatic conduits should be replaced when permanently deformed, cut or frayed.

Push-in fittings are used for connecting conduits with pneumatic system components. The fittings enable simple, fast and tight connection by pushing the conduits in. If leaks appear at

connections, the user may tighten the fitting by himself using a tightening torque according to table (5.2). If air continues to escape, replace fittings with new ones.

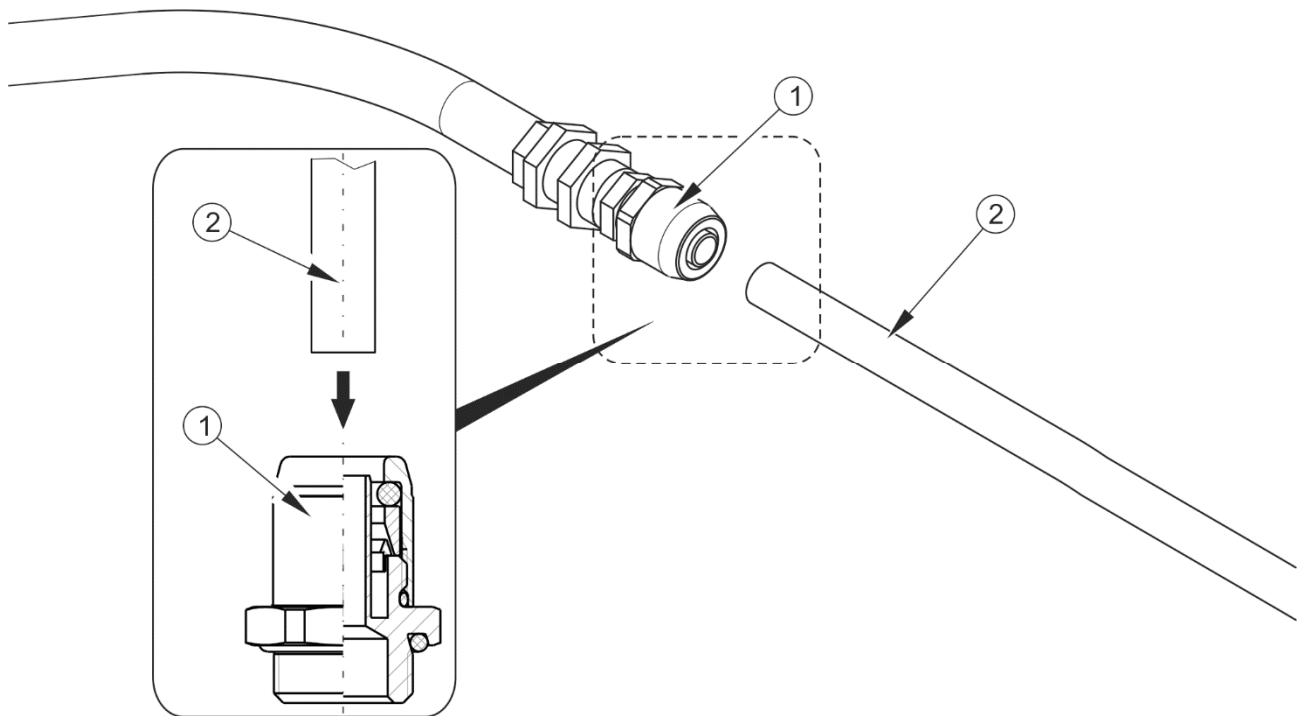


FIGURE 5.14 *Installation of pneumatic conduit*

(1) pneumatic conduit, (2) connecting nut (3) clamping ring, (4) reinforcing sleeve

TABLE 5.2 **Tightening torques for pneumatic system fittings**

PART NAME	THREAD	TIGHTENING TORQUE (NM)
Pneumatic system fittings	M12x1.5	24
	M14x1.5	30
	M16x1.5	35
	M18x1.5	36
	M22x1.5	40

5.4 HYDRAULIC SYSTEM MAINTENANCE

5.4.1 PRELIMINARY INFORMATION

Work connected with the repair, change or regeneration of hydraulic system components (hydraulic cylinders, valves etc.) should be entrusted to specialist establishments, having the appropriate technology and qualifications for this type of work.



TIP

Bleeding of the hydraulic system is not required during normal operation of the trailer.

The duties of the operator connected with the hydraulic system maintenance include:

- checking tightness and visual inspection of the system,
- checking technical condition of hydraulic connections.



DANGER

Do NOT tip trailer with unreliable hydraulic tipping system.

Do NOT use the trailer if the hydraulic system of the support is unreliable.

Do NOT use the trailer if hydraulic brake system is unreliable.

Do NOT use the trailer if hydraulic tailgate system is unreliable.

5.4.2 CHECKING HYDRAULIC SYSTEM TIGHTNESS

Required maintenance activities

- ➔ Hitch trailer to tractor.
- ➔ Connect all hydraulic system conduits according to maintenance instructions.
- ➔ Clean connections and cylinders (tipping cylinder, tailgate cylinders and possibly, support cylinder and hydraulic brake cylinders).
- ➔ Conduct test tipping of load box backwards. Check operation of cut-off valve. Leave the trailer in the maximally raised position, check cylinder tightness.
 - ⇒ In the maximally raised position the cut-off valve should be closed.

- ⇒ The cables that limit tipping should not be tensioned.
- ➔ Raise and lower the hydraulic support several times (option).
- ➔ Open and close the tailgate several times.
- ➔ Press tractor brake pedal several times
 - ⇒ If the trailer is equipped with hydraulic brake system.
- ➔ Check cylinders and hydraulic conduits for tightness.

If oil is found on hydraulic cylinder body, check origin of leak. Inspect seals when hydraulic cylinder is completely extended. Minimum leaks are permissible with symptoms of "sweating", however in the event of noticing leaks in the form of "droplets" stop using the trailer until faults are remedied. If unreliability is evident in brake cylinders, do NOT use trailer with damaged system until faults are remedied.



Checking tightness:

- *after the first week of use,*
- *every 12 months of use.*

5.4.3 CHECKING TECHNICAL CONDITION OF HYDRAULIC CONNECTIONS AND SOCKETS.

Hydraulic connections for connecting with the tractor and sockets designed for connecting the second trailer must be in good working condition and kept clean. Each time before connecting, check if sockets in the tractor and connections of the second trailer are maintained in good working condition. Tractor and trailer hydraulic systems are sensitive to the presence of permanent contamination, which may cause damage to precision system components (jamming of hydraulic valves, scratching of cylinder surfaces etc.)



Inspection of hydraulic connections and sockets:

- *each time before connecting trailer to tractor or before connecting the second trailer.*

5.4.4 REPLACEMENT OF HYDRAULIC CONDUITS

Rubber hydraulic conduits must be replaced every 4 years regardless of their technical condition. This should be entrusted to specialised workshops.



Replacement of hydraulic conduits:

- every 4 years.

5.5 MAINTENANCE OF ELECTRICAL SYSTEM AND WARNING ELEMENTS

5.5.1 PRELIMINARY INFORMATION

Work connected with the repair, change or regeneration of electrical system components should be entrusted to specialist establishments, having the appropriate technology and qualifications for this type of work.

The responsibilities of the user are limited to:

- technical inspection of electrical system and reflectors,
- changing bulbs (if lamps are equipped with bulbs).



ATTENTION

Do NOT travel with out of order lighting system. Damaged lamp lenses, and burned-out bulbs must be replaced immediately before travelling. Lost or damaged reflective lights must be replaced.

Required maintenance activities

- ➔ Connect trailer to tractor with appropriate connection lead.
 - ⇒ Check if the connection lead is reliable. Check connection sockets in tractor and trailer.
- ➔ Check completeness and technical condition of trailer lights.
- ➔ Check completeness of all reflectors.
- ➔ Check correct mounting of the slow-moving vehicle warning sign holder.

- ➔ Before driving on to public road, check that the tractor is equipped with a warning reflective triangle.



Checking technical condition of electrical system:

- *each time while connecting the trailer.*



TIP

Before driving off, make certain that all lamps and reflective lights are clean.

5.5.2 CHANGING BULBS

Maintenance of electrical system involves periodical inspection of the lighting system operation.

LED lights are maintenance-free. If the trailer is equipped with rear lamps with bulbs, it may be necessary to change the bulbs. Compatible bulbs are shown in table (5.3).

TABLE 5.3 List of bulbs

LAMP	LAMP TYPE	BULB / QUANTITY IN 1 LAMP	NUMBER OF LAMPS
Rear left lamp assembly	WE 549L	R10W / 1 pc P21W / 2 pcs	1
Rear right lamp assembly	WE 549P	R10W / 1 pc P21W / 2 pcs	1

5.6 TRAILER LUBRICATION

Trailer lubrication should be performed with the aid of a manually or foot operated grease gun, filled with recommended grease. Before commencing work insofar as is possible remove old grease and other contamination. Remove and wipe off excess oil or grease.

TABLE 5.4 Trailer lubrication schedule

ITEM	LUBRICATION POINT	NUMBER OF LUBRICATION POINTS	TYPE OF GREASE	FREQUENCY
1	Wheel hub bearing	4	A	24M
2	Drawbar eye (rotating, ball type)	1	B	14D
3	Expander shaft sleeve	6	A	3M
4	Parabolic leaf springs	4	C	6M
5	Socket for installation of tipping ram and cylinder suspension	4	B	1M
6	Tipping cylinder ball bearing	1	B	3M
7	Parking brake mechanism	1	A	6M
8	Leaf spring sliding surface	8	A	3M
9	Drawbar pin	1	A	3M
10	Tipping pin	2	B	3M
11	Brake expander arm	4	A	3M
12	Telescopic support	2	A	3M
13	Lower bearing of tailgate cylinder	4	A	3M
14	Upper bearing of tailgate cylinder	4	A	3M
15	Slide gate guide	2	D	1M

ITEM	LUBRICATION POINT	NUMBER OF LUBRICATION POINTS	TYPE OF GREASE	FREQUENCY
16	Chute string pin	6	D	1M
17	Leaf spring pin	4	A	3M
18	Rocker arm pin	1	A	3M

Lubrication periods: M - month; D – day

Before beginning to grease leaf springs remove contamination, wash with water and leave to dry. Do not use pressure washers, which may cause moisture penetration between individual leaf spring plates. Absorber plates should be lubricated using an agent having both anticorrosion and lubricating properties, it is recommended to apply on outer leaf spring surfaces very thin layer of lithium or lime alkali grease. For this purpose, silicone aerosol preparation (for lubricating guides, locks etc. - see table) can be also used. Sliding surface of leaf spring and leaf spring pin should be lubricated according to recommendations contained in table (5.4).

Parts, which should be lubricated with machine oil, should be wiped with dry cleaning cloth and then a small quantity of oil should be applied do surfaces (with oil can or brush). Wipe off excess oil.

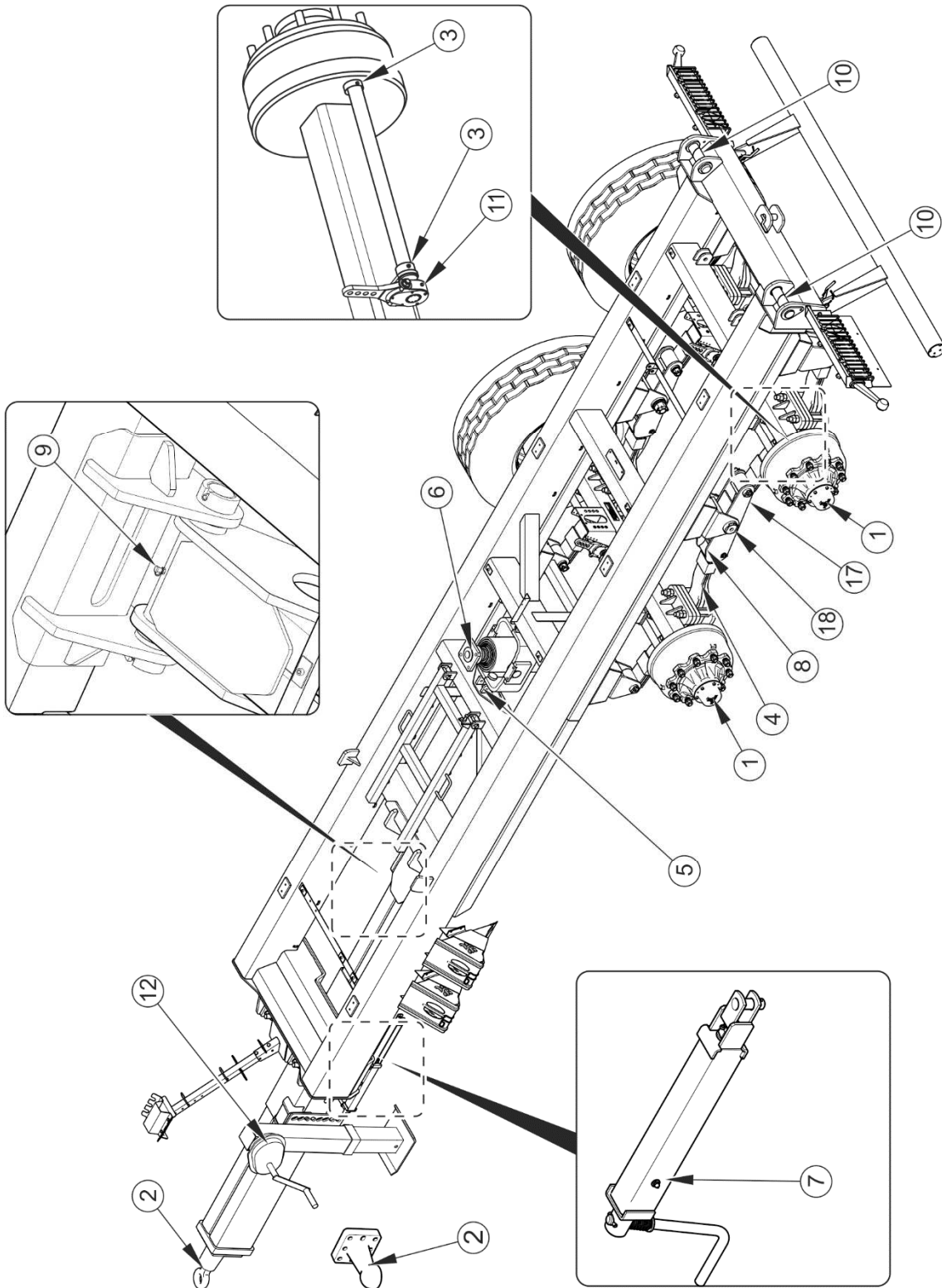


FIGURE 5.15 Trailer's lubrication points

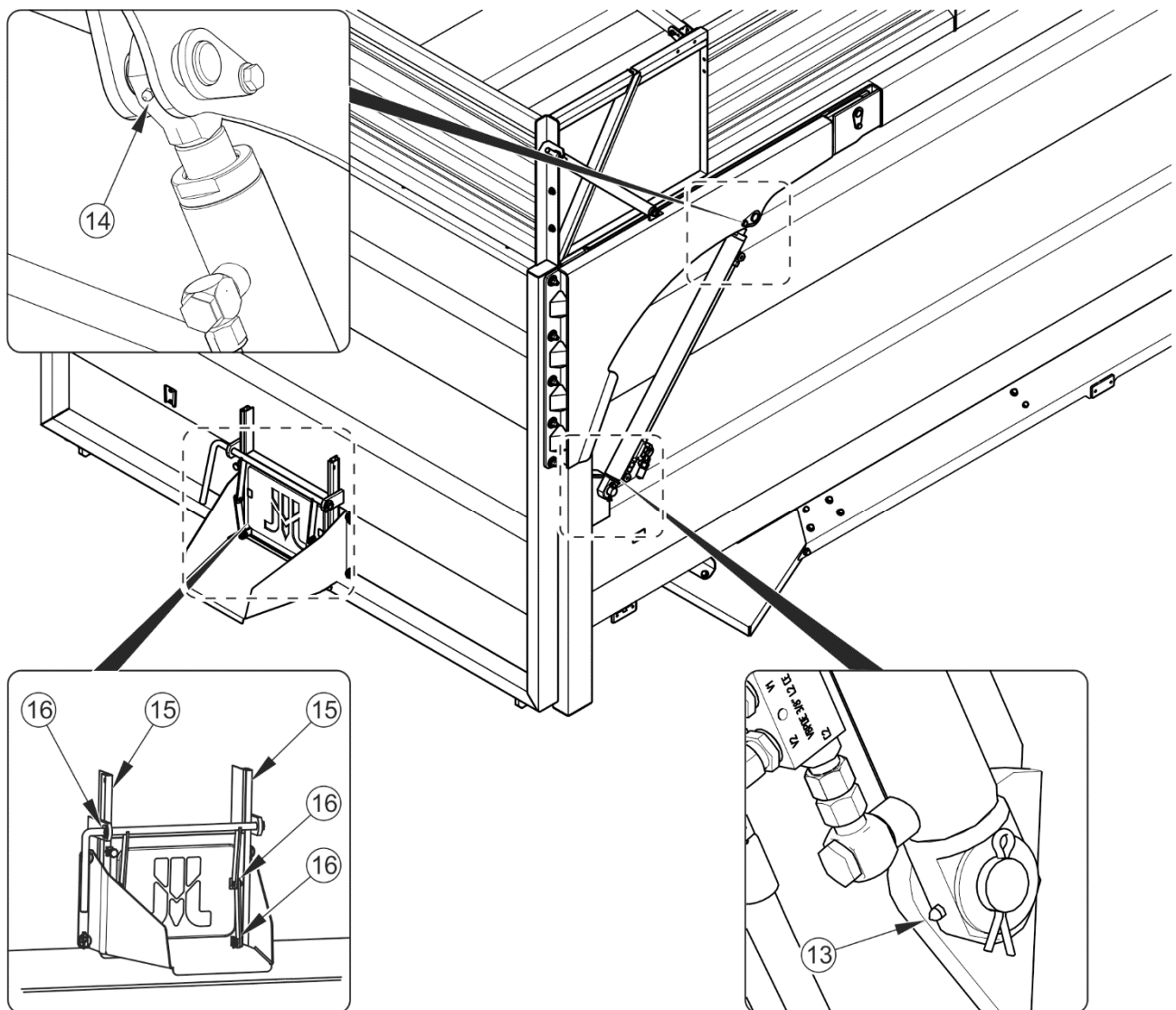


FIGURE 5.16 *Trailer's lubrication points*

TABLE 5.5 **Recommended lubricants**

MARKING ACCORDING TO TAB. (5.4)	DESCRIPTION
A	machine general-purpose grease (lithium, calcium grease),
B	permanent grease for heavily loaded elements with addition of MOS_2 or graphite
C	anticorrosion preparation in aerosol
D	ordinary machine oil, silicon grease in aerosol

Change of grease in hub bearings should be entrusted to specialised service points, equipped with the appropriate tools. According to the recommendations of the axle Manufacturer, dismantle the entire hub, remove the bearing and individual sealing rings. After careful washing and inspection, mount lubricated elements. If necessary, bearing and seals should be replaced with new parts. Lubrication of axle bearings shall be performed at least once in 2 years or every 50,000 km. In the event of intensive use, lubrication should be performed more frequently.

Empty grease or oil containers should be disposed of according to the recommendations of the lubricant Manufacturer.



During trailer use the user is obliged to observe lubrication instructions according to attached lubrication schedule.

5.7 MAINTENANCE OF SUSPENSION SYSTEM

Maintenance of the suspension system includes checking technical condition of such elements as suspension springs, rods, rocker arms, U bolts and other connecting elements of suspension components. The scope of the suspension system maintenance includes also periodic lubrication of individual lubrication points according to chapter 5.6 as well as inspection and tightening of bolt connections.



If the trailer is operated in severe conditions or is operated intensively, the maintenance activities should be performed more frequently.



ATTENTION

Bolt and nut connections of the trailer's suspension system should be tightened under load.

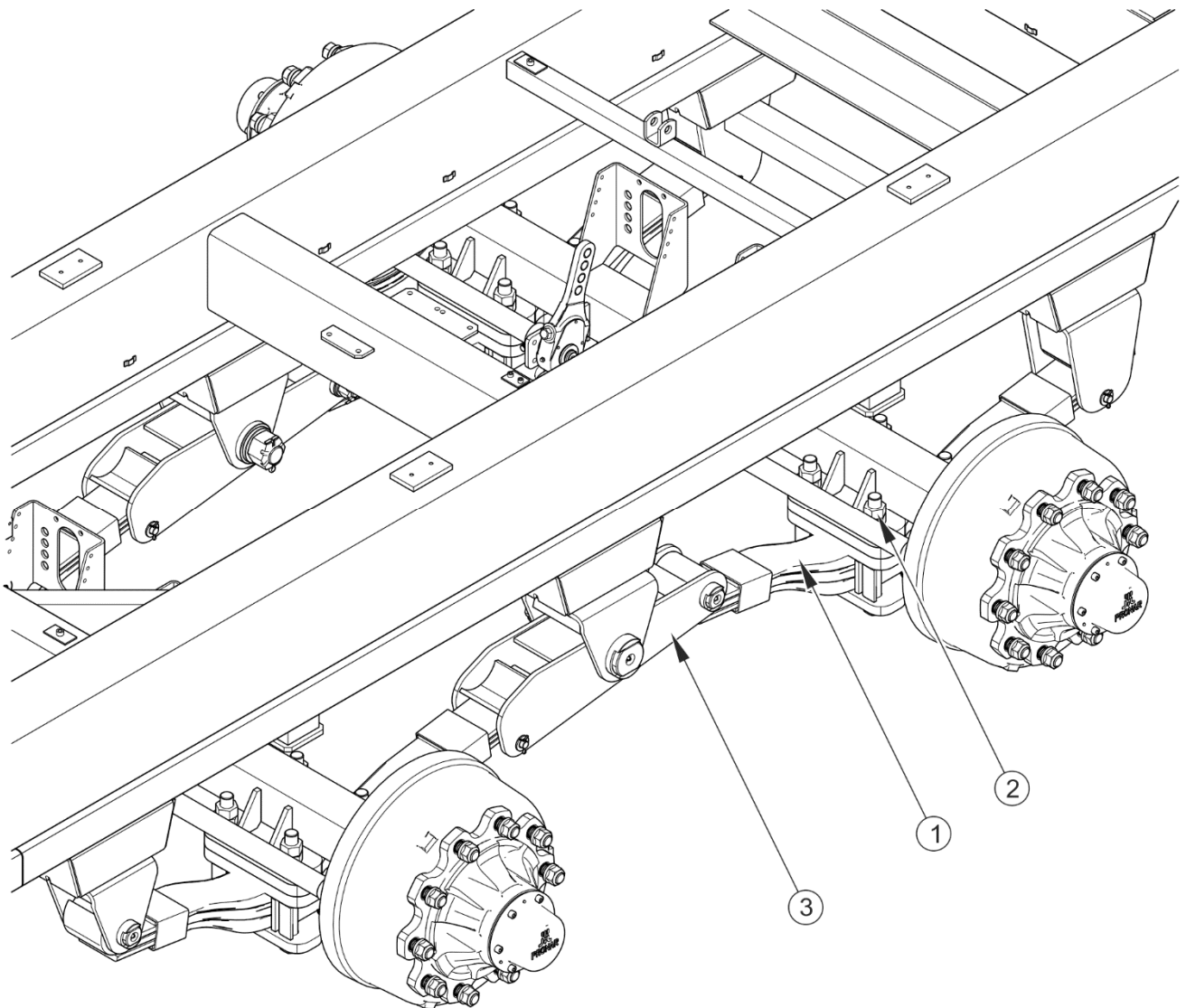


FIGURE 5.17 Tandem suspension

(1) parabolic leaf spring, (2) bolt fixing the axle to leaf spring (M24x2x190), (3) rocker arm

TABLE 5.6 Mechanical suspension system maintenance schedule

FREQUENCY	MAINTENANCE ACTIVITIES
After the first travel with load.	Tighten all nuts of the axle fixing bolts (item 2) using recommended tightening torque specified in table (5.8). The nuts should be tightened diagonally.
Before intensive work or every 6 months.	Tighten all bolt and nut connections of the suspension system (suspension spring stirrups, rocker arm pins, suspension spring pins)

FREQUENCY	MAINTENANCE ACTIVITIES
Once a year	Check the condition of the suspension springs (item 1): carefully clean and brush the sides of the suspension springs in order to confirm that there are no cracks.
	If there is a clearance between suspension springs and the axle, check the complete fixing system: bolts (item 2), guiding and clamping plates of the suspension spring bolts.

When checking technical condition of the suspension system, pay attention to degree of wear of individual parts and looseness of system components and confirm that all components are complete and free from cracks and deformations. If any of the suspension system components is damaged or excessively worn, immediately stop operating the trailer and replace or repair the damaged element.

5.8 CONSUMABLES

5.8.1 HYDRAULIC OIL

Always adhere to the principle that the oil in the trailer hydraulic system and in the tractor hydraulic system are of the same type. In the event of application of different types of oil make certain that both hydraulic substances may be mixed together. Application of different oil types may cause damage to trailer or tractor. In a new machine, the hydraulic system is filled with L HL32 Lotos hydraulic oil.

In the event of necessity of changing hydraulic oil for another oil, check the recommendations of the oil Manufacturer very carefully. If it is recommended to flush the system with the appropriate preparation, then comply with these recommendations. Attention should be given, so that chemical substances used for this purpose do not damage the materials of the hydraulic system. During normal trailer use change of hydraulic oil is not necessary, but if required, this operation should be entrusted to a specialist service point.

TABLE 5.7 L-HL 32 Lotos hydraulic oil characteristics

ITEM	NAME	UNIT	VALUE
1	ISO 3448VG viscosity classification	-	32
2	Kinematic viscosity at 40°C	mm ² /s	28.8 – 35.2
3	ISO 6743/99 quality classification	-	HL
4	DIN 51502 quality classification	-	HL
5	Flash-point	C	230

Because of its composition the oil applied is not classified as a dangerous substance, however long-term action on the skin or eyes may cause irritation. In the event of contact of oil with skin wash the place of contact with water and soap. Do NOT apply organic solvents (petrol, kerosene). Contaminated clothing should be changed to prevent access of oil to skin. In the event of contact of oil with eye, rinse with large quantity of water and in the event of the occurrence of irritation consult a doctor. Hydraulic oil in normal conditions is not harmful to the respiratory tract. A hazard only occurs when oil is strongly atomised (oil vapour), or in the case of fire during which toxic compounds may be released. Oil fires should be quenched with the use of carbon dioxide, foam or steam extinguishers. Do not use water to quench oil fires.

5.8.2 LUBRICANTS

For parts under great load it is recommended to apply lithium grease with molybdenum disulphide (MOS₂) or graphite additive. In the case of less loaded sub-assemblies the application of general purpose machine greases is recommended, which contain anticorrosive additives and have significant resistance to being washed away by water. Aerosol preparations (silicon greases and anticorrosive-lubricating substances) should have similar characteristics.

Before using the grease, read its information leaflet. Particularly relevant are safety rules and handling procedures for a given lubricant as well as waste disposal procedure (used containers, contaminated rags etc.). Information leaflet (material safety data sheet) should be kept together with grease.

5.9 CLEANING THE TRAILER

Trailer should be cleaned depending on requirements and before longer idle periods (e.g. before winter period). Before using pressure washer the user is obliged to acquaint himself with the operating principles and recommendations concerning safe use of this equipment.

Trailer cleaning guidelines

- Before cleaning the trailer open the tailgate. Carefully clean load remains from the load box (sweep out or blow out with compressed air), especially where tailgate and extensions join together.
- To clean trailer only use clean running water or water with a cleaning detergent additive with neutral pH.
- Using pressure washer increases washing effectiveness, but particular care must be taken during work. During washing, washer nozzle may not be closer than 50 cm from the surface being cleaned.
- Water temperature shall not exceed 55°C.
- Do not direct water stream directly at system and equipment elements of trailer i.e. control valve, braking force regulator, brake cylinders, hydraulic cylinders, pneumatic, electric and hydraulic plugs, lights, electrical connections, information and warning decals, identification plates, conduit connections, spring leaves and lubrication points etc. Great water jet pressure may cause mechanical damage to these elements.
- For cleaning and maintenance of plastic coated surfaces it is recommended to use clean water or special preparations designed for this purpose.
- Do not apply organic solvents, preparations of unknown origin or other substances, which may cause damage to lacquered, rubber or plastic surfaces. In the event of doubt it is recommended to make a test on an unseen surface area.
- Surfaces smeared with oil or grease should be cleaned by application of benzene or other degreasing agents and then washed with clean water with added detergent. Comply with recommendations of the Manufacturer of cleaning agents.

**DANGER**

Carefully read the instructions for application of detergents and maintenance preparations.

While washing with detergents wear appropriate protective clothing and goggles protecting against splashing.

- Washing detergent should be kept in original containers, optionally in replacement containers, but very clearly marked. Preparations may not be stored in food and drink containers.
- Ensure cleanliness of elastic conduits and seals. The plastic from which these elements are made may be susceptible to organic substances and some detergents. As a result of long-term reaction of some substances, the ageing process may be accelerated and risk of damage increased. Rubber elements should be maintained with the aid of special preparations after previous thorough washing.
- After finishing washing wait until trailer is dry and then grease all inspection points according to recommendations. Remove excess oil or grease with a dry cloth.
- Observe environmental protection principles and wash trailer in a place designed for this purpose.
- Washing and drying trailer must take place at temperatures above 0°C.
- After washing and drying, trailer should be greased at all control points regardless of previous date of lubrication.

5.10 STORAGE

Trailer should be kept in closed or roofed building. If the machine will not be used for a long time, it is essential to protect it from adverse weather conditions (sunlight and rain), which cause corrosion and accelerate ageing of tyres. The protection should be made according to the below instructions.

- The machine must be unloaded, placed on hard ground, on its wheels and secured against rolling away with wheel chocks.

- Carefully remove all remains of plant materials (grain, hay, straw, green fodder, etc.) because such materials can absorb moisture and stimulate corrosion.
- Trailer should be very carefully washed and dried.
- Corroded places should be cleaned of rust, degreased and protected using undercoat paint and then painted with topcoat paint according to colour scheme.
- In the event of prolonged work stoppage, it is essential to lubricate all elements regardless of the date of the last lubrication.
- Wheel rims and tyres should be carefully washed and dried.
- Shield the tyres if they may be exposed to solar radiation.
- During longer storage of unused trailer it is recommended that every 2 to 3 weeks the machine may be moved a bit so that the place of contact of tyres with ground is changed. The tyres will not be deformed and maintain proper geometry. Also, air pressure in tyres should be inspected from time to time and, if necessary, pressure should be increased to appropriate value.
- If trailer is equipped with tarpaulin cover, it should be carefully washed and dried. If possible, clean tarpaulin cover should be stored unrolled, otherwise carefully roll it without folding and breaking the material.

5.11 TIGHTENING TORQUE FOR NUT AND BOLT CONNECTIONS

Unless other tightening parameters are given, during maintenance-repair work apply appropriate torque to tighten nut and bolt connections. Recommended tightening torque for the most frequently used nut and bolt connections are given in table below. Given values apply to non-lubricated steel bolts.

TABLE 5.8 Tightening torque for nut and bolt connections

THREAD METRIC	5.8 ⁽¹⁾	8.8 ⁽¹⁾	10.9 ⁽¹⁾
	Md [Nm]		
M10	37	49	72

THREAD METRIC	5.8 ⁽¹⁾	8.8 ⁽¹⁾	10.9 ⁽¹⁾
	Md [Nm]		
M12	64	85	125
M14	100	135	200
M16	160	210	310
M20	300	425	610
M24	530	730	1,050
M27	820	1,150	1,650
M30	1,050	1,450	2,100

⁽¹⁾ – strength class according to DIN ISO 898 standard

Hydraulic conduits should be tightened with torque of 50 – 70 Nm.

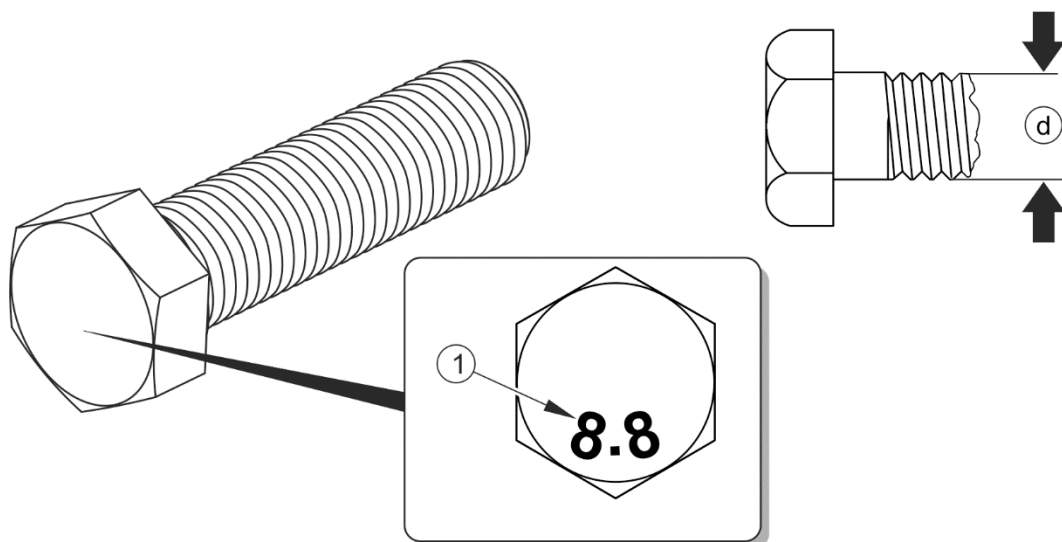


FIGURE 5.18 Bolt with metric thread

(1) strength class, (d) thread diameter

5.12 ADJUSTMENT OF DRAWBAR POSITION

Location of the drawbar should be selected individually depending on the height of trailer tyres and the height of the tractor hitch to which the trailer will be coupled. The height should be set in such a manner as to ensure that the trailer hitched to the tractor is level. Empty trailer may be slightly tilted forwards from the level (about 50mm).

In order to adjust the drawbar position, perform the following activities:

- ➔ immobilise trailer with parking brake,
- ➔ prevent the trailer from rolling by placing chocks under the wheels,

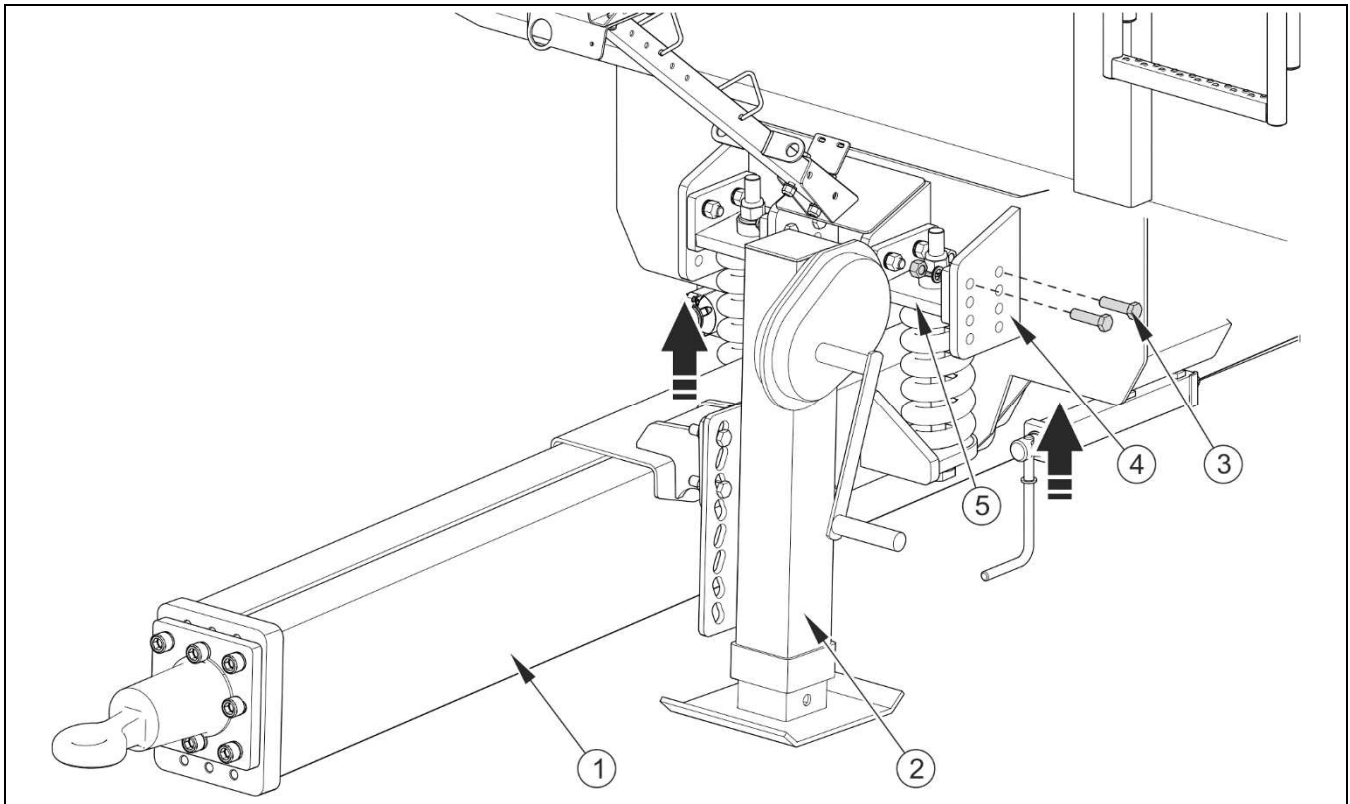


FIGURE 5.19 *Adjusting the drawbar height*

(1) drawbar, (2) support, (3) bolt connection, (4) spring guide, (5) spring fixing plate

- ➔ support the trailer on both sides of the drawbar under the front beam of the lower frame by means of supports of a suitable height and strength.
 - ⇒ the drawbar should be supported with telescopic support (2) or hydraulic support,
- ➔ dismantle bolt and nut connections (3) fixing the drawbar to the lower frame,
- ➔ position the drawbar with regard to the lower frame by means of the crank of the telescopic support or, when the hydraulic support is used, using the appropriate manifold lever in the tractor cab.
 - ⇒ Set the drawbar height in such a manner as to align the openings in the spring guide (4) in the lower frame with the openings in the spring fixing plate (5).

⇒ The trailer design makes it possible to set the drawbar in 4 different heights.

- ➔ When the drawbar height is set, install bolt and nut connections (3) and tighten them using tightening torque according to table (5.8).



ATTENTION

The tension of drawbar springs is selected and set by the Manufacturer and must not be changed.

5.13 TROUBLESHOOTING

TABLE 5.9 Troubleshooting

FAULT	CAUSE	REMEDY
Problem with moving off	Brake system pneumatic conduits not connected	Connect brake conduits (applies to pneumatic systems)
	Applied parking brake	Release parking brake.
	Damaged pneumatic system connection conduits	Replace.
	Leaking connections	Tighten, replace washers or seal sets, replace conduits.
	Control valve or braking force regulator damaged	Check valve, repair or replace.
Noise in axle hubs	Excessive bearing slackness	Check slackness and adjust if needed
	Damaged bearing	Replace bearings.
	Damaged hub parts	Replace.

FAULT	CAUSE	REMEDY
Poor reliability of braking system	Insufficient pressure in the system	<p>Check pressure on tractor pressure gauge, wait till compressor fills tank to required pressure.</p> <p>Damaged air compressor in tractor Repair or replace.</p> <p>Damaged brake valve in tractor. Repair or replace.</p> <p>Leaking system conduits or connections. Check system for tightness.</p>
Excessive heating of axle hubs	Incorrect main or parking brake adjustment	Regulate setting of expander arms
	Worn brake linings	Change brake shoes
Incorrect hydraulic system operation	Improper hydraulic oil viscosity	Check oil quality, make sure that the oil in both machines is of the same type. If necessary change oil in tractor or in trailer.
	Insufficient tractor hydraulic pump output, tractor hydraulic pump is damaged	Check tractor hydraulic pump.
	Damaged or contaminated cylinder	Check cylinder piston rod (bending, corrosion), check cylinder for tightness (cylinder rod seal), if necessary, repair or replace the cylinder.
	Excessive cylinder loading	Check mechanism controlled by cylinder for mechanical damage.
Incorrect hydraulic system operation	Damaged hydraulic conduits	Check and ascertain that hydraulic conduits are tight, not fractured and properly tightened. If necessary replace or tighten.

NOTES

A series of horizontal dotted lines for writing notes.

ANNEX A

Trailer Pronar T700XL wheel dimensions

TYRE DIMENSIONS	WHEEL RIM SIZE
Wheel 385/ 65- 22,5 18PR	Wheel rim 11.75x22.5; ET=-30
Wheel 445 / 65 R22,5 170F	Wheel rim 14.00x22.5; ET=-30
Wheel 550 / 60- 22,5 171A8	Wheel rim 16.00x22.5; ET=-30
Wheel 560 / 60- 22,5 16PR 161D	Wheel rim 16.00x22.5; ET=-30
Wheel 600/55R22,5 16PR 169A8	Wheel rim 20.00x22.5; ET=-40
Wheel 600/50R22,5 170A8	Wheel rim 20.00x22.5; ET=-40
Wheel 620/50R22,5 172A8	Wheel rim 20.00x22.5; ET=-40
Wheel 650/50R22,5 175A8	Wheel rim 20.00x22.5; ET=-40