



PRONAR Sp. z o.o.

17-210 NAREW, UL. MICKIEWICZA 101A, PODLASKIE PROVINCE

tel.:	+48 085 681 63 29	+48 085 681 64 29
	+48 085 681 63 81	+48 085 681 63 82
fax:	+48 085 681 63 83	+48 085 682 71 10

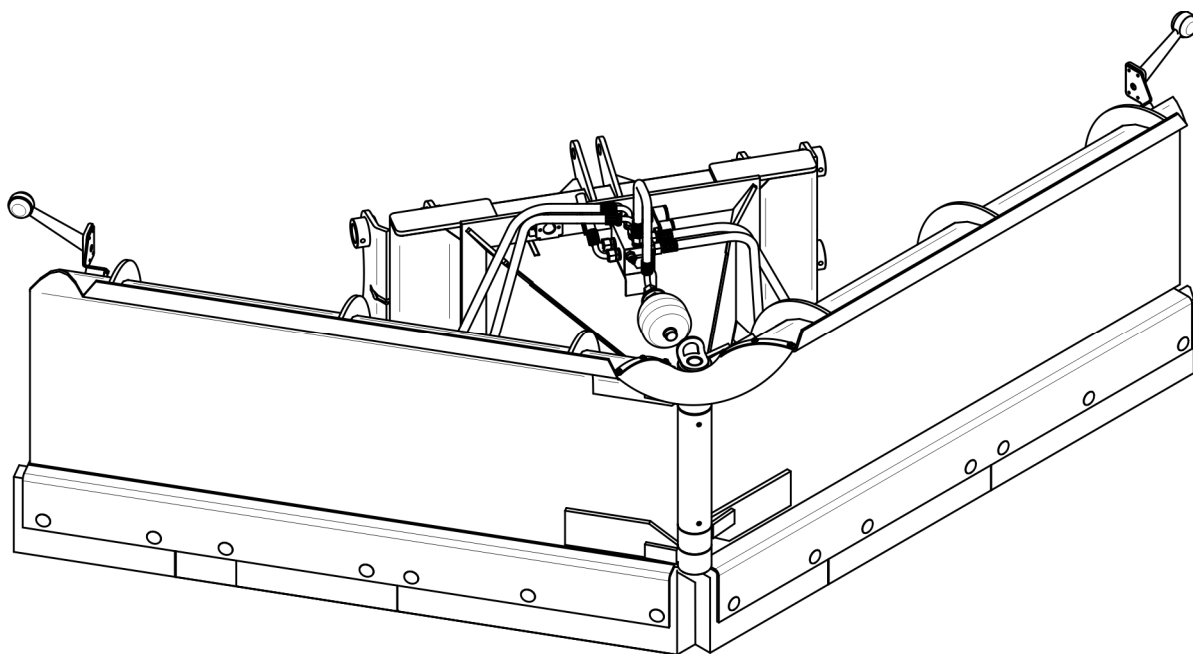
www.pronar.pl

OPERATOR'S MANUAL

SNOW PLOUGH

PRONAR PUV-3000 / PUV-3300

TRANSLATION OF THE ORIGINAL INSTRUCTIONS



ISSUE 1C-08-2011

PUBLICATION NO 279N-00000000-UM



INTRODUCTION

Information contained herein is current at date of publication. As a result of improvements, some numerical values and illustrations contained in this publication may not correspond to the factual specification of the machine supplied to the user. The manufacturer reserves the right to introduce design changes in machines produced that facilitate operation and improve the quality of their work, without making minor amendments to this Operator's Manual.

This Operator's Manual is an integral part of the machine's documentation. Before using the machine, the user must carefully read this Operator's Manual and observe all recommendations. This guarantees safe operation and ensures malfunction free work of the machine. The machine is designed to meet obligatory standards, documents and legal regulations currently in force.

This Operator's Manual describes the basic safety rules and operation of PRONAR PUV-3000; PUV-3300 snow plough. If the information contained in the Operator's Manual needs clarification then the user should refer for assistance to the sale point where the tractor was purchased or to the Manufacturer

MANUFACTURER'S ADDRESS:

*PRONAR Sp. z o.o.
ul. Mickiewicza 101A
17-210 Narew*

CONTACT TELEPHONES

+48 085 681 63 29

+48 085 681 64 29

+48 085 681 63 81

+48 085 681 63 82

SYMBOLS APPEARING IN THIS OPERATOR'S MANUAL

Information, descriptions of danger and precautions and also recommendations and prohibitions associated with user safety instructions are marked:



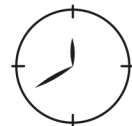
and also preceded by the word "**DANGER**". Failure to observe the instructions may endanger the machine operator's or other person's health or life.

Particularly important information and instructions, the observance of which is essential, are distinguished in the text by the sign:



and also preceded by the word "**ATTENTION**". Failure to observe the instructions may lead to damage to the machine as a result of improper operation, adjustment or use.

In order to focus the user's attention on the need to perform maintenance, the relevant section of the Operator's Manual is marked with the pictogram:



Additional tips and advice for machine operation are marked:



and also preceded by the word „**TIP**”.

DIRECTIONS USED IN THIS OPERATOR'S MANUAL

Left side – side to the left hand of the operator facing in the direction of machine's forward travel.

Right side – side to the right hand of the operator facing in the direction of machine's forward travel.



PRONAR Sp. z o.o.

ul. Mickiewicza 101 A
17-210 Narew, Polska

tel./fax (+48 85) 681 63 29, 681 63 81, 681 63 82,
681 63 84, 681 64 29

fax (+48 85) 681 63 83

http://www.pronar.pl

e-mail: pronar@pronar.pl

EC DECLARATION OF CONFORMITY OF THE MACHINERY

PRONAR Sp. z o.o. declares with full responsibility, that the machine:

Description and identification of the machinery		
Generic denomination and function:	Snow plough	
Type:	PUV-3000	PUV-3300
Model:	–	–
Serial number:		
Commercial name:	Snow plough PRONAR PUV-3000 Snow plough PRONAR PUV-3300	

to which this declaration relates, fulfills all the relevant provisions of the Directive **2006/42/EC** of The European Parliament and of The Council of 17 May 2006 on machinery, and amending Directive 95/16/EC (Official Journal of the EU, L 157/24 of 09.06.2006).

The person authorized to compile the technical file is the Head of Research and Development Department at PRONAR Sp. z o.o., 17-210 Narew, ul. Mickiewicza 101A, Poland.

This declaration relates exclusively to the machinery in the state in which it was placed on the market, and excludes components which are added and/or operations carried out subsequently by the final user.

Narew, the 2011-03-24

Place and date

Z-CIA DYREKTORA
d/s technicznych
członek zarządu

Roman Dębianiuk

Full name of the empowered person
position, signature

TABLE OF CONTENTS

1	BASIC INFORMATION	1.1
1.1	IDENTIFICATION	1.2
1.2	PROPER USE	1.3
1.3	OPTIONAL EQUIPMENT	1.5
1.4	WARRANTY TERMS	1.7
1.5	TRANSPORT	1.9
1.6	ENVIRONMENTAL HAZARDS	1.11
1.7	WITHDRAWAL FROM USE	1.12
2	SAFETY ADVICE	2.1
2.1	BASIC SAFETY RULES	2.2
2.1.1	USE OF MACHINE	2.2
2.1.2	LINKING AND DISCONNECTING FROM TRACTOR	2.3
2.1.3	HYDRAULIC SYSTEM	2.3
2.1.4	TRANSPORTING THE MACHINE	2.4
2.1.5	MAINTENANCE	2.5
2.1.6	PLOUGH OPERATION	2.6
2.2	DESCRIPTION OF MINIMAL RISK	2.6
2.3	INFORMATION AND WARNING DECALS	2.7
3	DESIGN AND OPERATION	3.1
3.1	TECHNICAL SPECIFICATION	3.2
3.2	GENERAL DESIGN	3.4
3.3	HYDRAULIC SYSTEM	3.5
3.4	ELECTRICAL SYSTEM	3.7

4	CORRECT USE	4.1
4.1	PREPARING FOR WORK	4.2
4.2	CHECKING TECHNICAL CONDITION	4.4
4.3	HITCHING TO VEHICLE	4.4
4.3.1	HITCHING TO THE THREE POINT LINKAGE	4.8
4.3.2	HITCHING TO FRONT LOADER	4.9
4.4	CONNECTING HYDRAULIC AND ELECTRICAL SYSTEM	4.10
4.5	PLOUGH OPERATION	4.12
4.5.1	LEVELLING PLOUGH BODY	4.12
4.5.2	ADJUSTING PLOUGH WORKING POSITIONS	4.13
4.5.3	SETTING COLLECTING STRIPS INCLINATION ANGLE	4.15
4.5.4	SETTING WORKING HEIGHT	4.17
4.6	DRIVING ON PUBLIC ROADS	4.19
4.7	DISCONNECTING THE PLOUGH	4.20
5	MAINTENANCE	5.1
5.1	CHECKING AND REPLACEMENT OF COLLECTING STRIPS	5.2
5.2	SLIDE REPLACEMENT	5.4
5.3	HYDRAULIC SYSTEM OPERATION	5.5
5.4	ELECTRICAL SYSTEM MAINTENANCE	5.7
5.5	LUBRICATION	5.8
5.6	STORAGE	5.9
5.7	TIGHTENING TORQUE FOR NUT AND BOLT CONNECTIONS	5.10
5.8	TROUBLESHOOTING	5.11

SECTION

1

BASIC INFORMATION

1.1 IDENTIFICATION

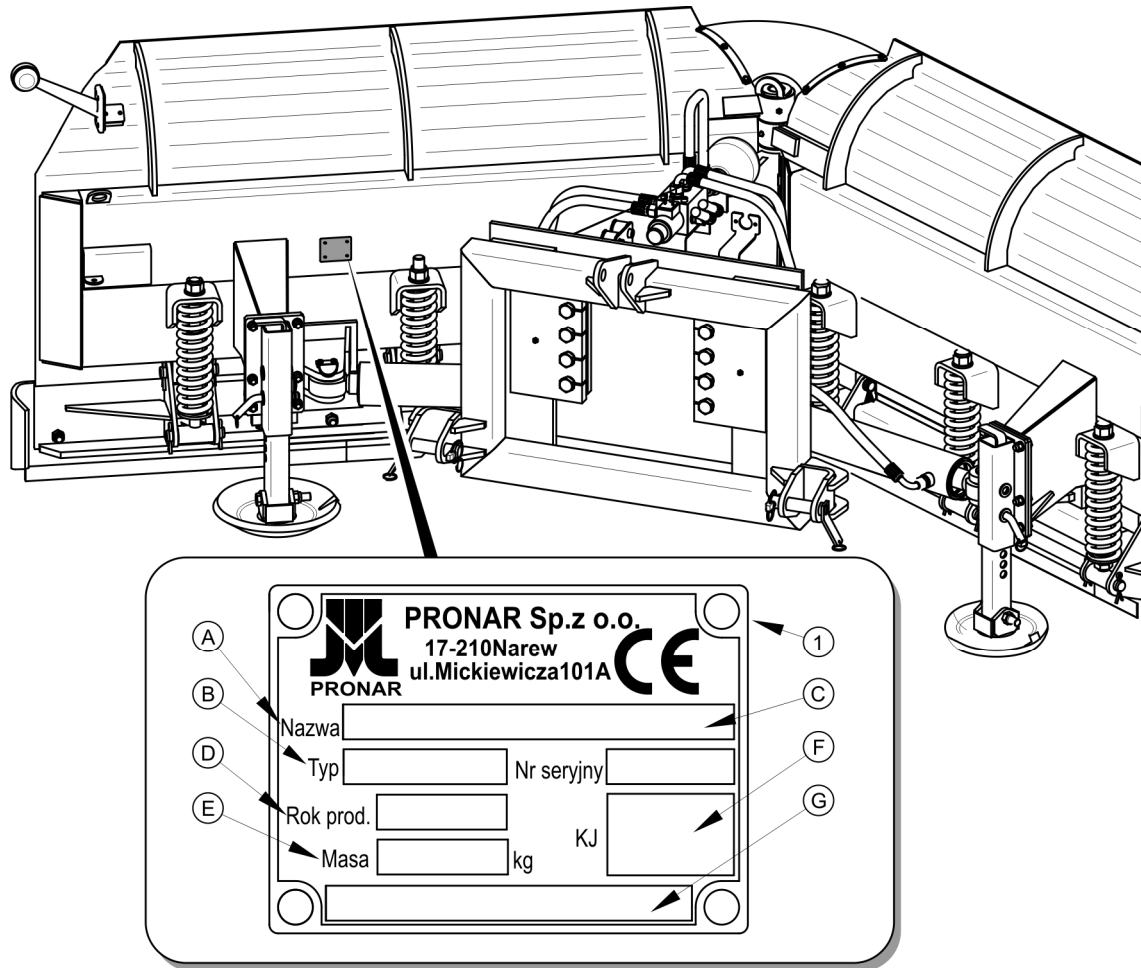


FIG. 1.1 Location of the data plate

(1) - data plate

PRONAR PUV–3000 and PRONAR PUV-3300 snow ploughs are marked with the data plate (1) located on the left mouldboard. When buying the machine check that the serial numbers on the machine agree with the number written in the *WARRANTY BOOK*, in the sales documents and in the *OPERATOR'S MANUAL*.

TIP



In the event of ordering a replacement part or in the case of the appearance of problems it is very often necessary to give the factory numbers of the plough, therefore it is recommended that these numbers are inscribed in the spaces below (see INTRODUCTION).

The meanings of the individual fields found on the data plate – figure (1.1) are presented in table (1.1).

TAB. 1.1 Meaning of data plate items

ITEM	MARKING
A	Machine name
B	Machine type
C	Serial number
D	Year of manufacture
E	Machine tare weight
F	Quality Control marking
G	Unfilled box or extension of name (box A)

1.2 PROPER USE

The PRONAR PUV-3000 and PUV-3300 snow ploughs are designed for clearing road surfaces, squares, parking spaces and all other hard road and footpath surfaces such as asphalt, concrete paving blocks, paving, concrete. Use for other purposes is not in accord with design. Depending on their equipment, the ploughs can be mounted on agricultural tractors, front loaders and other slow-moving vehicles that meet the requirements set out in Table 2.1.

Using it as intended also involves all actions connected with the safe and proper operation and maintenance of the machine. Due to the above, the user is obliged to:

- carefully read the *OPERATOR'S MANUAL* and comply with its recommendations,
- understand the machine's operating principle and how to operate it safely and correctly,
- comply with general safety regulations while working,
- prevent accidents,
- comply with road traffic regulations.

The machine may only be used by persons, who:

- are familiar with the contents of this publication and with the contents of the tractor Operator's Manual;
- have been trained in machine operation and safe working conditions,
- have the required authorisation to drive and are familiar with the road traffic regulations and transport regulations.

TAB. 1.2 Agricultural tractor (carrying vehicle) requirements

	UNIT	REQUIREMENTS
Linkage		
Front three point linkage	-	Category II according to ISO 730-1
Front loader	-	EURO mounting system
	-	ŁC-1650 mounting system
Other	-	plate-type system
	-	EURO-SMS mounting system
	-	CAT432E mounting system
	-	ATLAS AR55/65/70/80/85 mounting system
	-	ATLAS AR95 mounting system
	-	A-RAMA mounting system
	-	JCB 3CX mounting system
	-	CASE mounting system
	-	SETRA mounting system
	-	DIN A mounting system
	-	SETRA / DIN A mounting system
	-	JCB3CX CONTRACTOR JCB2CX mounting system
	-	JCB535-125 mounting system
	-	JCB2X mounting system
	-	FORD 655C mounting system
	-	MANITOU MRT2150 mounting system

	UNIT	REQUIREMENTS
Hydraulic system		
Hydraulic oil	-	HL32
Nominal pressure	MPa	16
Hydraulic sockets	-	2 sockets of one section on the front of the tractor (vehicle)
Electrical system		
Solenoid supply	-	cigarette lighter socket
Electrical system voltage	V	12
Other requirements		
Power range	hp (kW)	100 ÷ 200 (73.5 ÷ 147)
Beacon light	-	orange light

IMPORTANT!

The plough must not be used for purposes other than those for which it is intended, in particular:

- levelling of roads, terrain;
- transport of people, animals and other items on the machine.

1.3 OPTIONAL EQUIPMENT

Some standard equipment elements, which were listed in table (1.3), may not be present in the delivered plough. This allows the possibility of ordering new machines with a different set of optional equipment, replacing standard equipment.

Information concerning linkage systems is provided in *CHAPTER 4*

TAB. 1.3 The plough equipment

EQUIPMENT	STANDARD	ADDITIONAL	OPTIONS
Operator's Manual	•		
Warranty Book	•		
Electrical system with the plough clearance lights (3-pole socket)	•		
Electrical system with the plough clearance lights (7-pole socket)			•
Cigarette lighter electrical system		•	
Steel plough blades	•		
Rubber plough blades			•
Support slides	•		
Wheels			•
Three-point linkage	•		
Plate-type linkage			•
EURO-SMS linkage			•
ŁC-1650 linkage			•
EURO linkage			•
CAT432E–TUZII linkage			•
ATLAS AR55/65/70/80/85 linkage			•
AR95 linkage			•
A – RAMA linkage			•
JCB3CX linkage			•
JCB3X CONTRACTOR 2CX linkage			•
JCB2X linkage			•

EQUIPMENT	STANDARD	ADDITIONAL	OPTIONS
JCB535-125 linkage			
CASE 580SR3695SR3 linkage			•
FORD 655C linkage			•
MANITOU MRT2150 linkage			•
SETRA linkage			•
SETRA / DIN 76060 type A linkage			•
DIN 76060 type A linkage			•
Hydraulic system without shock absorbers, with two plugs	•		
Hydraulic system with shock absorbers, with a plug and socket			•
Hydraulic system with shock absorbers, with two plugs (independent control)			•
Hydraulic system with shock absorbers (independent control), with a socket and plug			•
Simultaneous / independent control with shock absorbers, with a socket and plug			•
Simultaneous / independent control with shock absorbers, with two plugs			•

1.4 WARRANTY TERMS

PRONAR Sp. z o.o., Narew guarantees the reliable operation of the machine when it is used according to its intended purpose as described in the *OPERATOR'S MANUAL*.

The repair period is specified in the *WARRANTY BOOK*.

The guarantee does not apply to those parts and sub-assemblies of the machine, which are subject to wear in normal usage conditions, regardless of the warranty period. Consumables include the following parts/sub-assemblies:

- rubber or metal collecting strips
- slides
- wheels,
- bulbs.

The warranty service only applies to such cases as: mechanical damage, which is not the user's fault, factory defects of parts, etc.

In the event of damage arising from:

- mechanical damage which is the user's fault, caused by road accidents,
- by inappropriate use, adjustment or maintenance, use of the machine for purposes other than those for which it is intended,
- use of damaged or malfunctioning machine,
- repairs carried out by unauthorised persons, improperly carried out repairs,
- making unauthorised alterations to machine design,

the user will lose the right to warranty service.



TIP

Demand that the seller carefully and precisely fills out the *WARRANTY BOOK* and guarantee repair coupons. A missing date of purchase or sale point stamp, may make the user ineligible for any warranty repair or refund.

The user is obliged to report immediately on noticing any wear in the paint coating or traces of corrosion, and to have the faults rectified whether they are covered by the guarantee or not. Detailed guarantee regulations are contained in the *WARRANTY BOOK* attached to each machine.

Modification of the machine without the written consent of the Manufacturer is forbidden. In particular, do NOT weld, drill holes in, cut or heat the main structural elements, which have a direct impact on the machine operation safety.

1.5 TRANSPORT

The machine is prepared for sale completely assembled and does not require packing. Packing is only required for the machine operator's manual and electrical system components.

Delivery is either by transport on a vehicle or independently, after being attached to a tractor. Transport of the machine is permissible connected to a carrying vehicle provided the vehicle's driver familiarises himself with the machine's Operator's Manual and particularly with information concerning safety and principles of connection and transport on public roads.

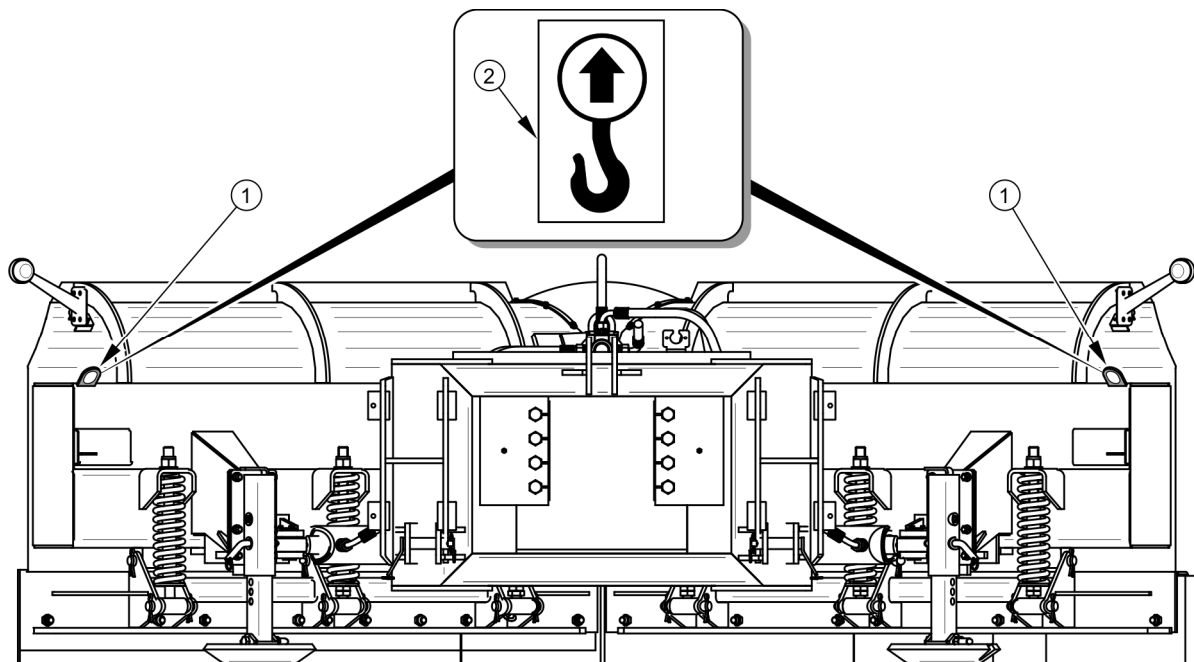


FIG. 1.2 Positioning of transport lugs

(1) - transport lugs, (2) - information decal

During road transport the machine should be secured on the carrier platform by certified belts or chains fitted with a pulley.

When loading and unloading the machine, comply with the general principles of workplace health and safety for reloading work. Persons operating reloading equipment must have the qualifications required to operate these machines.

The machine should be attached to lifting equipment in places specially designed for this purpose, i.e. by the external lugs (1) on internal reinforcement of the right and left mouldboard. Suspension points are identified with information decals (2). When lifting the

machine take particular care due to the possibility of tipping over the machine and the risk of injuries from protruding parts. To keep lifted machine in the correct direction it is recommended to apply additional guy cables. During the loading work particular care should be taken not to damage paint coating.

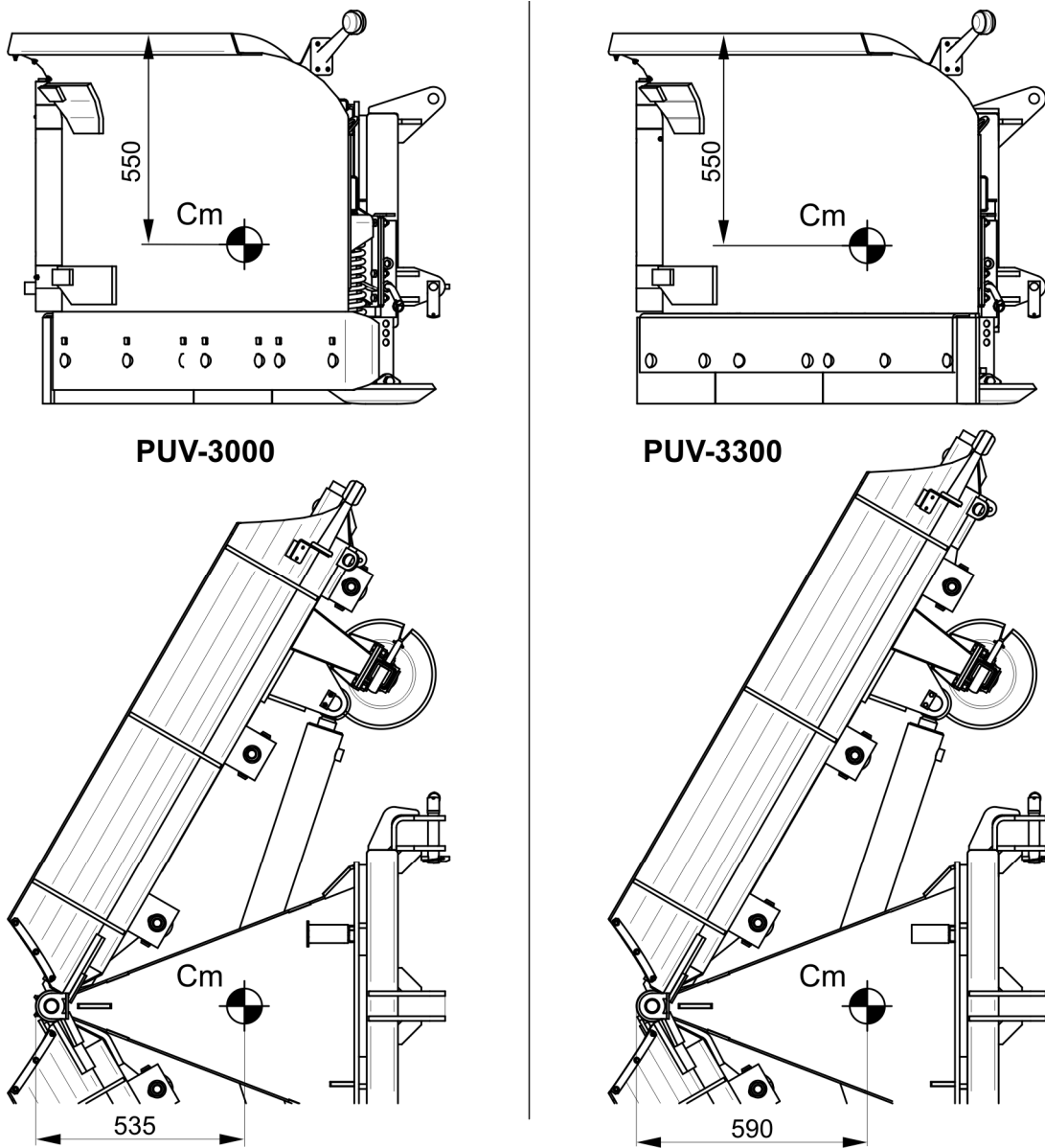


FIG. 1.3 Centre of gravity

Centre of gravity of the standard version of PUV-3000 and PUV-3300 snow ploughs (three-point linkage)

DANGER

When transporting independently, the user must carefully read this Operator's Manual and observe all recommendations. When being transported on a motor vehicle the machine must be mounted on the vehicle's platform in accordance with the transport safety requirements. The driver of the vehicle should take particular care while transporting the machine. This is due to the vehicle's centre of gravity shifting upwards when loaded with the machine.

IMPORTANT!

Centre of gravity, depending on the version (slides or wheels, rubber or metal strips, hydraulic system with shock absorption) varies in the range ± 100 mm.

Do NOT secure lifting slings or any types of securing elements to hydraulic cylinders.

1.6 ENVIRONMENTAL HAZARDS

A hydraulic oil leak constitutes a direct threat to the natural environment owing to its limited biodegradability. While carrying out maintenance and repair work which involves the risk of an oil leak, this work should take place on an oil resistant floor or surface. In the event of oil leaking into the environment, first of all contain the source of the leak, and then collect the leaked oil using available means. Remaining oil should be collected using sorbents, or by mixing the oil with sand, sawdust or other absorbent materials. The oil pollution, once gathered up, should be kept in a sealed, marked, hydrocarbon resistant container, and then passed on to the appropriate oil waste recycling centre. The container should be kept away from heat sources, flammable materials and food.

Oil, which has been used up or is unsuitable for further use owing to a loss of its properties should be stored in its original packaging in the conditions described above.

1.7 WITHDRAWAL FROM USE

In the event of decision by the user to withdraw the machine from use, comply with the regulations in force in the given country concerning withdrawal from use and recycling of machines withdrawn from use.

Before proceeding to dismantle machine, oil shall be completely removed from hydraulic system.

When spare parts are changed, worn out or damaged parts should be taken to a collection point for recyclable raw materials. Waste oil and also rubber and plastic elements should be taken to establishments undertaking the utilisation of such waste.



IMPORTANT!

During dismantling personal protection equipment shall be used i.e. protective clothing, boots, gloves and protective goggles etc.

Avoid contact of skin with oil. Do not allow used oil to spill.



DANGER

Disassembly of the hydraulic system should be performed by suitably qualified personnel. Before disassembly relieve the accumulator pressure on both the liquid and gas sides.

SECTION

2

SAFETY ADVICE

2.1 BASIC SAFETY RULES

2.1.1 USE OF MACHINE

- Before using the machine, the user must carefully read this Operator's Manual and the *WARRANTY BOOK*. When operating the machine, the operator must comply with the recommendations.
- The machine may only be used and operated by persons qualified to drive agricultural tractors and carrying vehicles and trained in the use of the machine.
- If the information contained in the Operator's Manual is difficult to understand, contact a seller, who runs an authorised technical service on behalf of the manufacturer, or contact the manufacturer directly.
- Careless and improper use and operation of the machine, and non-compliance with the recommendations given in this operator's manual is dangerous to your health.
- Be aware of the existence of a minimal risk, and for this reason the fundamental basis for using this machine should be the application of safety rules and sensible behaviour.
- The machine must never be used by persons, who are not authorised to drive agricultural tractors, including children and people under the influence of alcohol or other drugs.
- Non-compliance with the safety rules of this Operator's Manual can be dangerous to the health and life of the operator and others.
- The machine must not be used for purposes other than those for which it is intended. Anyone who uses the machine other than the way intended takes full responsibility for himself for any consequences of this use. Use of the machine for purposes other than those for which it is intended by the Manufacturer may invalidate the guarantee.
- The machine may only be used when all the safety guards and other protective elements are technically sound and correctly positioned. In the event of loss or destruction of the safety guards, they must be replaced with new ones.

2.1.2 LINKING AND DISCONNECTING FROM TRACTOR

- Do NOT link the machine to a tractor, if hydraulic oil applied in both machines are of different types, or if the three point linkage system of the machine is not compatible with the category of the linkage system of the tractor or other carrying vehicle.
- After completion of coupling the machine, check the safeguards. Carefully read the tractor (carrying vehicle) Operator's Manual.
- To mount machine on tractor use only genuine pins and safeguard linchpins.
- The agricultural tractor or other carrying vehicle to which the machine will be linked and coupled must be technically reliable and must fulfil the requirements of machine Manufacturer.
- Be especially careful when hitching the machine.
- When hitching, there must be nobody between the machine and the tractor.
- Exercise caution when disconnecting mower.
- Machine, which is disconnected from the tractor (carrying vehicle) must be set in a suitable position so that the blades are folded back, resting on the collecting strips and slides or wheels (optional).

2.1.3 HYDRAULIC SYSTEM

- The hydraulic system is under high pressure when operating.
- Regularly check the technical condition of the connections and the hydraulic conduits. There must be no oil leaks.
- In the event of malfunction of the hydraulic system, the machine shall be disconnected from use until the malfunction is corrected.
- When connecting the hydraulic conduits to the tractor (vehicle), make sure that the tractor (vehicle) hydraulic system and plough are not pressurised. If necessary reduce residual pressure in the system.
- In the event of injuries being caused by pressurised hydraulic oil, contact a doctor immediately. Hydraulic oil may find its way under the skin and cause infections. In the event of contact of oil with eye, rinse with large quantity of water and in the event of the occurrence of irritation consult a doctor. In the event of contact of oil

with skin wash the area of contact with water and soap. Do NOT apply organic solvents (petrol, kerosene).

- Use the hydraulic oil recommended by the Manufacturer. Never mix two types of oil.
- Used oil or oil, which has lost its properties, should be stored in original containers or replacement containers resistant to action of hydrocarbons. Replacement containers must be clearly marked and appropriately stored.
- Do not store hydraulic oil in packaging designed for storing food or foodstuffs.
- Flexible hydraulic conduits must be replaced every 4 years regardless of their technical condition.
- Repair and replacement of hydraulic system elements should be entrusted to the appropriately qualified persons.

2.1.4 TRANSPORTING THE MACHINE

- When driving on public roads, comply with the road traffic regulations. in force in the country, in which the machine is used.
- Do not exceed the permitted speed arising from road conditions and design limitations. Adjust travel speed to the prevailing road conditions and other limitations arising from road traffic regulations limits.
- Do NOT leave machine raised and unsecured while the tractor (carrying vehicle) is parked. When parked, the machine should be lowered.
- Do NOT ride on the machine or transport any materials on it.
- Before using the machine always check its technical condition, especially in terms of safety. In particular, check the technical condition of the hitch system and elements connecting hydraulic system.
- During transport tractor three-point linkage or loader arm shall be locked in the up position to prevent accidental lowering.
- Reckless driving and excessive speed may cause accidents.

2.1.5 MAINTENANCE

- During the warranty period, any repairs may only be carried out by Warranty Service authorised by the manufacturer. It is recommended that necessary repairs to machine should be undertaken by specialised workshops.
- In the event of any fault or damage whatsoever, do not use the machine until the fault has been corrected.
- During work use the proper, close-fitting protective clothing, gloves and appropriate tools. When working on hydraulic systems it is recommended to use oil resistant gloves and protective goggles.
- Any modification to the machine frees PRONAR from any responsibility for damage or detriment to health which may arise as a result.
- Before undertaking any work on the machine, disconnect tractor (carrying vehicle) engine.
- Regularly check the technical condition of the safety devices and correct tightening of bolt connections.
- Regularly perform service inspections of machine as recommended by the Manufacturer.
- Do NOT perform service or repair work under raised and unsupported machine.
- Before beginning repair works on hydraulic systems, reduce oil pressure.
- Servicing and repair work should be carried out in line with the general principles of workplace health and safety. In the event of injury, the wound must be immediately cleaned and disinfected. In the event of more serious injuries, seek a doctor's advice.
- Repair, maintenance and cleaning work should be carried out with the tractor (carrying vehicle) engine switched off and the ignition key removed. The vehicle shall be immobilized with the parking brake and secured against unauthorized access.
- Should it be necessary to change individual parts, use only original parts. Non-adherence to these requirements may put the user and other people's health and life at risk, and also damage the machine and invalidate the guarantee.

- Regularly check technical condition and mounting of all guards and protective elements.
- Do NOT weld main structural elements such as frame, linkage or mouldboards.
- In the event of work requiring the machine to be raised, use properly certified hydraulic or mechanical lifts for this purpose. After lifting the machine, stable and durable supports must also be used. Do NOT carry out work under a machine, which has only been raised with the three point linkage or extension arm.
- The machine must not be supported using fragile elements (bricks or concrete blocks).
- After completing work associated with lubrication, remove excess oil or grease.
- In order to reduce the danger of fire the machine must be kept in a clean condition.

2.1.6 PLOUGH OPERATION

- Before lowering or lifting the machine mounted tractor (carrying vehicle), make sure there are no bystanders, especially children, near the machine.
- Before starting the machine make sure that there are no bystanders (especially children) or animals in the danger zone. The machine operator is obliged to ensure proper visibility of the machine and the working area.
- During machine operation do not occupy a different position than that of the operator in the vehicle's cab. Do NOT leave the cab, when the machine is in operation.
- Do NOT stand within the machine's working zone and also between the tractor and the machine.
- Do NOT operate the plough while reversing. Lift machine when reversing.

2.2 DESCRIPTION OF MINIMAL RISK

Pronar Sp. z o. o. in Narew has made every effort to eliminate the risk of accidents. There is, however, a certain minimal risk, which could lead to an accident, and this is connected mainly with the actions described below:

- using the mower for purposes other than those for which it is intended,
- being between the tractor and the machine while the engine is working and when the machine is being attached,
- being on the machine during work,
- operating the machine with removed or faulty safety guards,
- not maintaining safe distance from the danger zone or being within the zones while the machine is operating,
- operation of the machine by persons under the influence of alcohol,
- cleaning, maintenance and technical checks when tractor is connected and engine is running.

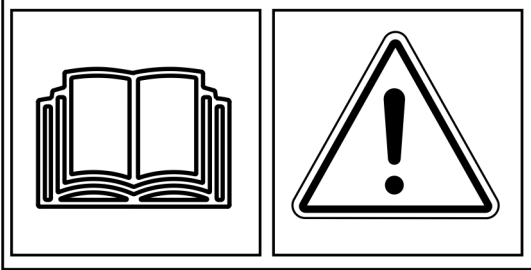
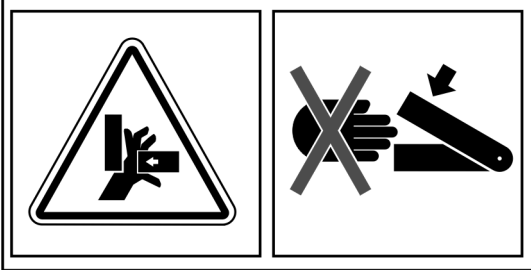
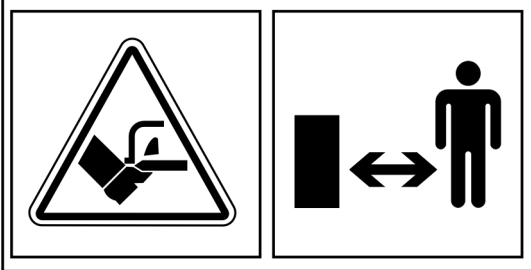
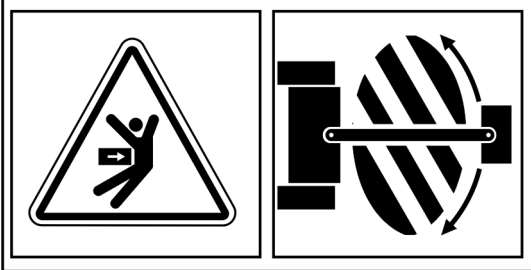

The minimal risk may be kept to a minimum by following the recommendations below:



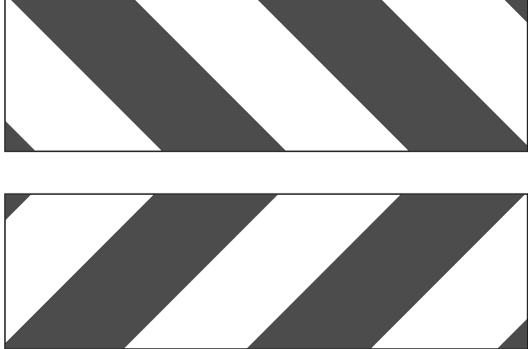



- prudent and unhurried operation of the machine,
- sensible application of the remarks and recommendations contained in the Operator's Manual,
- carrying out repair and maintenance work in line with operating safety rules,
- carrying out repair and maintenance work by persons trained to do so,
- using close fitting protective clothing,
- ensuring unauthorised persons have no access to the machine, especially children,
- maintaining safe distance from forbidden or dangerous places
- a ban on being on the machine when it is operating

2.3 INFORMATION AND WARNING DECALS

All signs should always be legible and clean, visible to the operator and also to persons possibly being in the vicinity of working machine. If any safety sign is lost or illegible, it should be replaced with a new one. All elements having safety signs replaced during repairs should be affixed with these signs. Safety signs and decals may be purchased from the Manufacturer or the Seller.

TAB. 2.1 Information and warning decals

ITEM	SYMBOL	DESCRIPTION
1		<p>Before starting work, carefully read the Operator's Manual.</p>
2		<p>Do not reach into crushing space because elements may move. Danger of crushing hands or fingers.</p>
3		<p>Keep a safe distance from machine when engine is running. Risk of injury to foot or leg!</p>
4		<p>When implement is in use there must be no bystanders in designated areas. If any work is required in these areas, make sure the tractor is stationary, and whether the implement is disconnected from the power source.</p>
5		<p>Thrown out objects, endanger the whole body. Keep a safe distance from the operating machine.</p>

ITEM	SYMBOL	DESCRIPTION
6		Pressurised liquid. Keep a safe distance.
7		Danger. Hydraulic accumulator. Pressurised nitrogen ... bar. Release pressure from the system before the technical inspection.
8		Outline marking.
9		Manufacturer
10		Machine model
11		Transport suspension points

Numbers in the item column correspond to decals (FIG. 2.1)

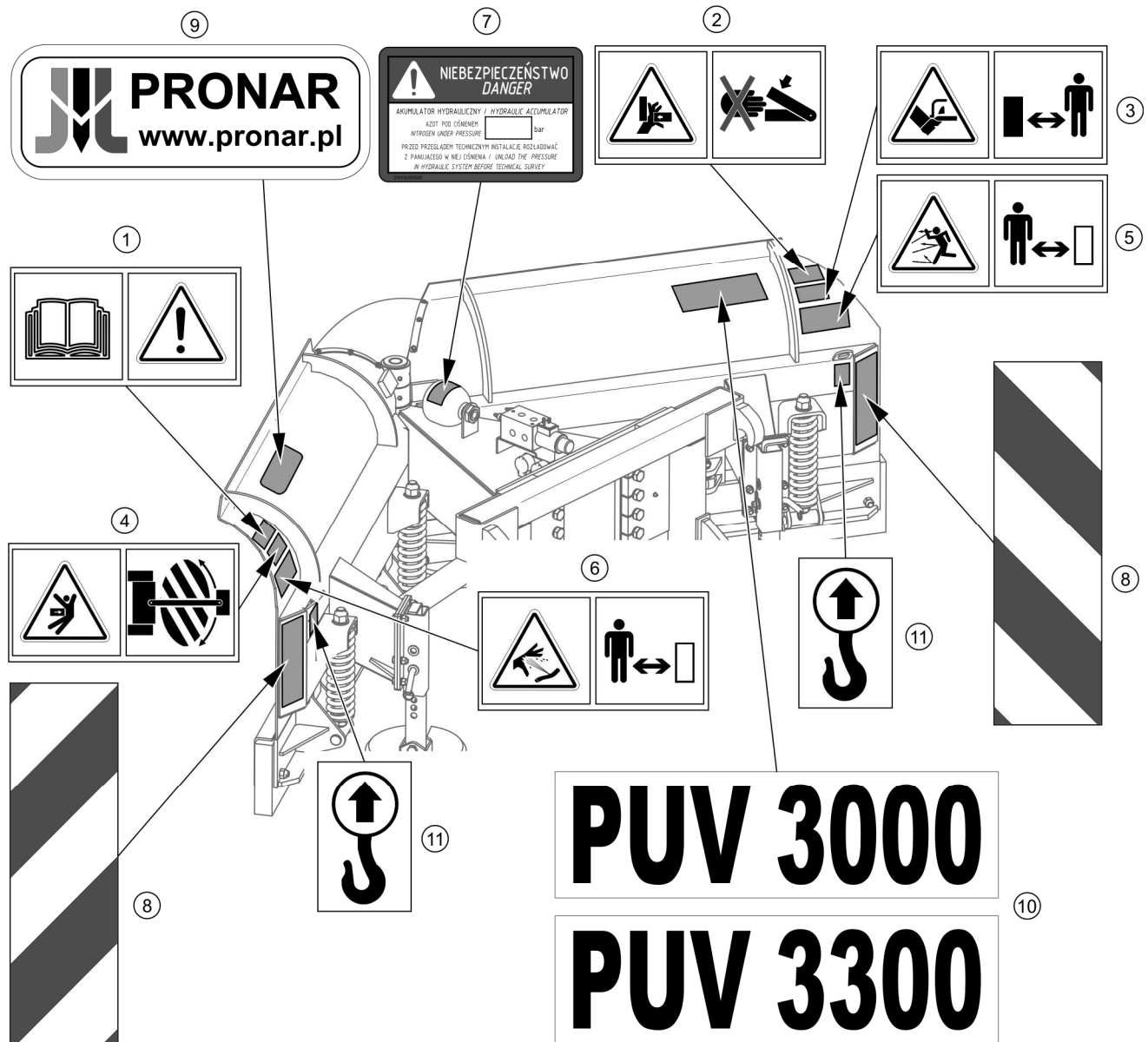


FIG. 2.1 Locations of information and warning decals.

Meaning of symbols (TAB. 2.1)

SECTION

3

**DESIGN AND
OPERATION**

3.1 TECHNICAL SPECIFICATION

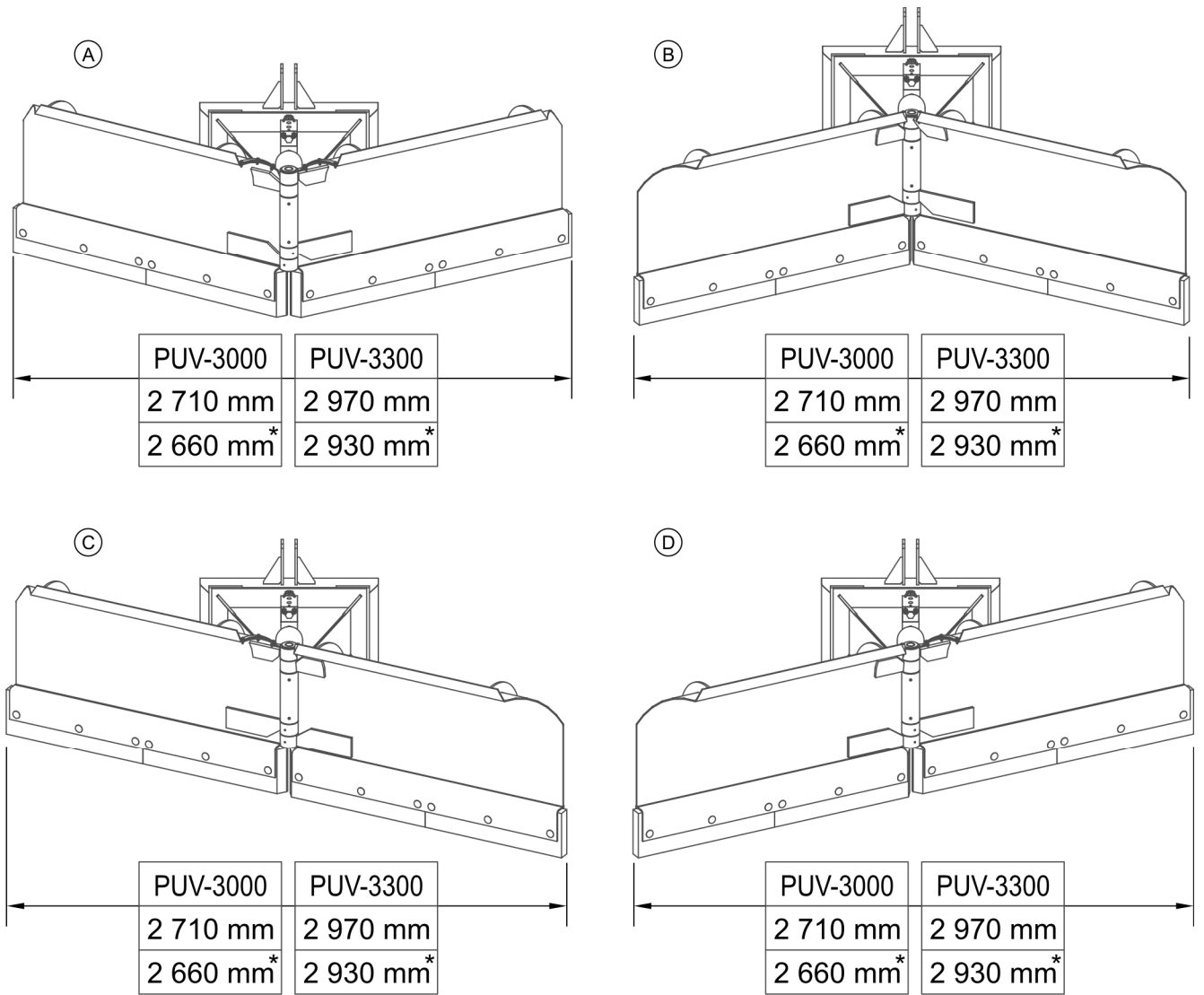
TAB. 3.1 BASIC TECHNICAL SPECIFICATION

Plough model		PUV-3000	PUV-3300
	Unit		
Mounting method: - three point linkage - front loader - other	- - -	cat. II according to ISO 730-1 EURO mount, ŁC-1650 See chapter 4 figure (4.1)	
Width depending on the working position 1, 2, 3, 4 - figure (3.1)	mm	2 710 (2.660*)	2 970 (2.930*)
Working height of plough blade	mm	865 (900*)	
Number of working positions	item	4	
Operation	-	hydraulic using solenoid	
Number of hydraulic cylinders	item	2	
Power supply	-	tractor (carrying vehicle) external hydraulic and electrical system 12V	
Type of collecting strips	-	swing, rubber or metal	
Weight of machine ready for operation: - with three-point linkage cat. II ISO 730-1**	kg	760 (774*)	820 (835*)
Weight of additional equipment: - wheels (2 off)	kg	52	
Power demand	hp (kW)	100÷200 (73.5÷147)	
Maximum working speed	km/h	10 6 - for front loaders	
Other information	-	Single person operation	
Hydraulic quick couplers	item	two ½" ISO 7241-4 plugs or one plug and one socket in EURO linkage	

* – with rubber collecting strips

**– standard equipment, weight of the machine with optional equipment is different

Level of noise emitted by machine does not exceed 70 dB(A)



* – with rubber collecting strips

FIG. 3.1 Width depending on the operating position:

1, 2, 3, 4 – individual working positions

3.2 GENERAL DESIGN

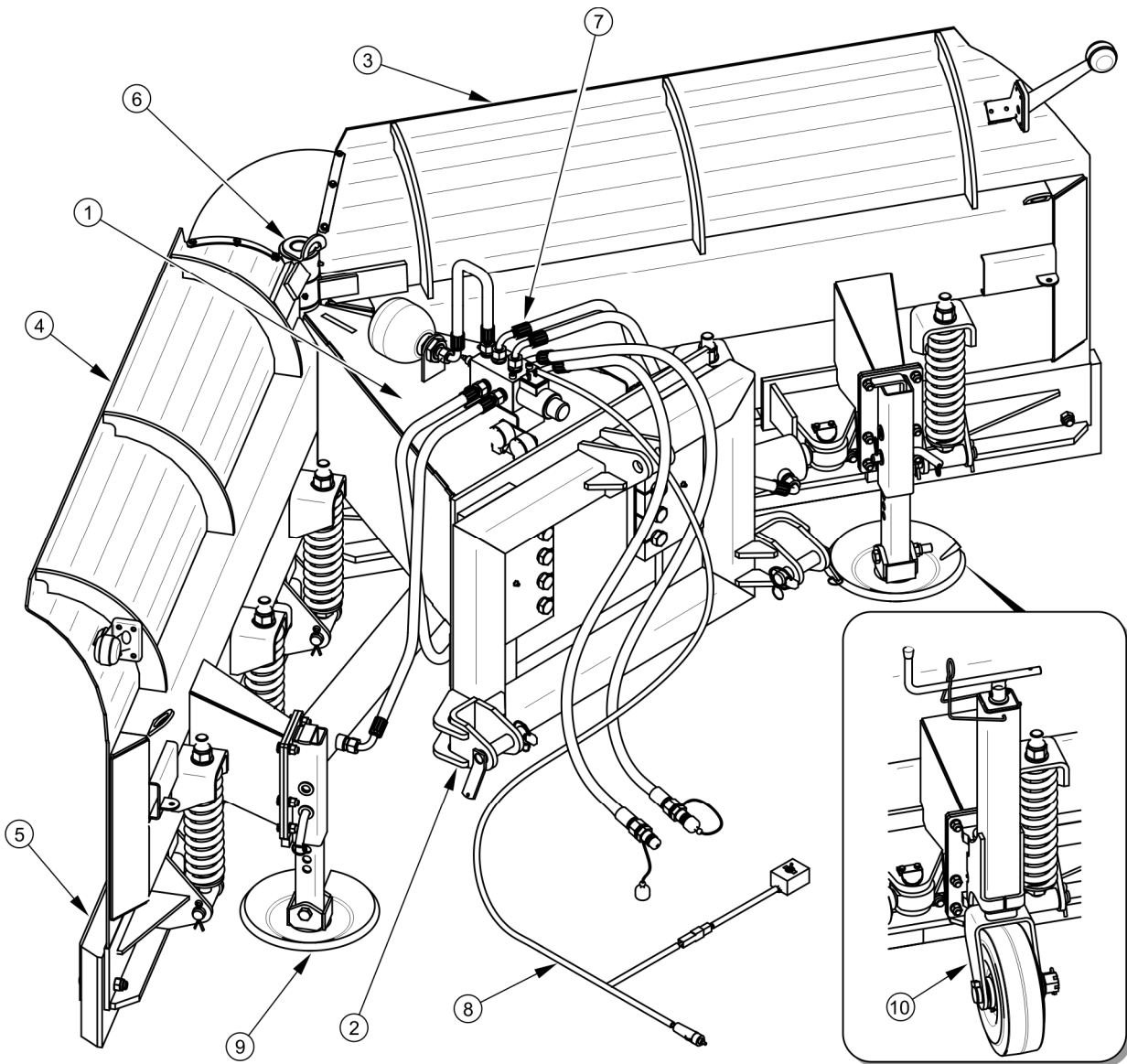


FIG. 3.2 Plough components

(1) frame, (2) linkage, (3) right blade, (4) left blade, (5) swing collecting strips; (6) main pin, (7) hydraulic system (8) electrical system, (9) slides, (10) wheels (optional)

PUV-3000/PUV-3300 plough consists of a frame (1) to which through the main pivot(6) right (3) and left (4) blades are connected. Using a suitable suspension system (2) plough is linked to a tractor or other carrying vehicle. Rubber or metal collecting strips (5) with shock absorbing springs are able to swing backwards when an obstacle is encountered. The plough can also be equipped with wheels (10) and other linkage systems allowing linking with LC-1650 front loader or the EURO-mount.

3.3 HYDRAULIC SYSTEM

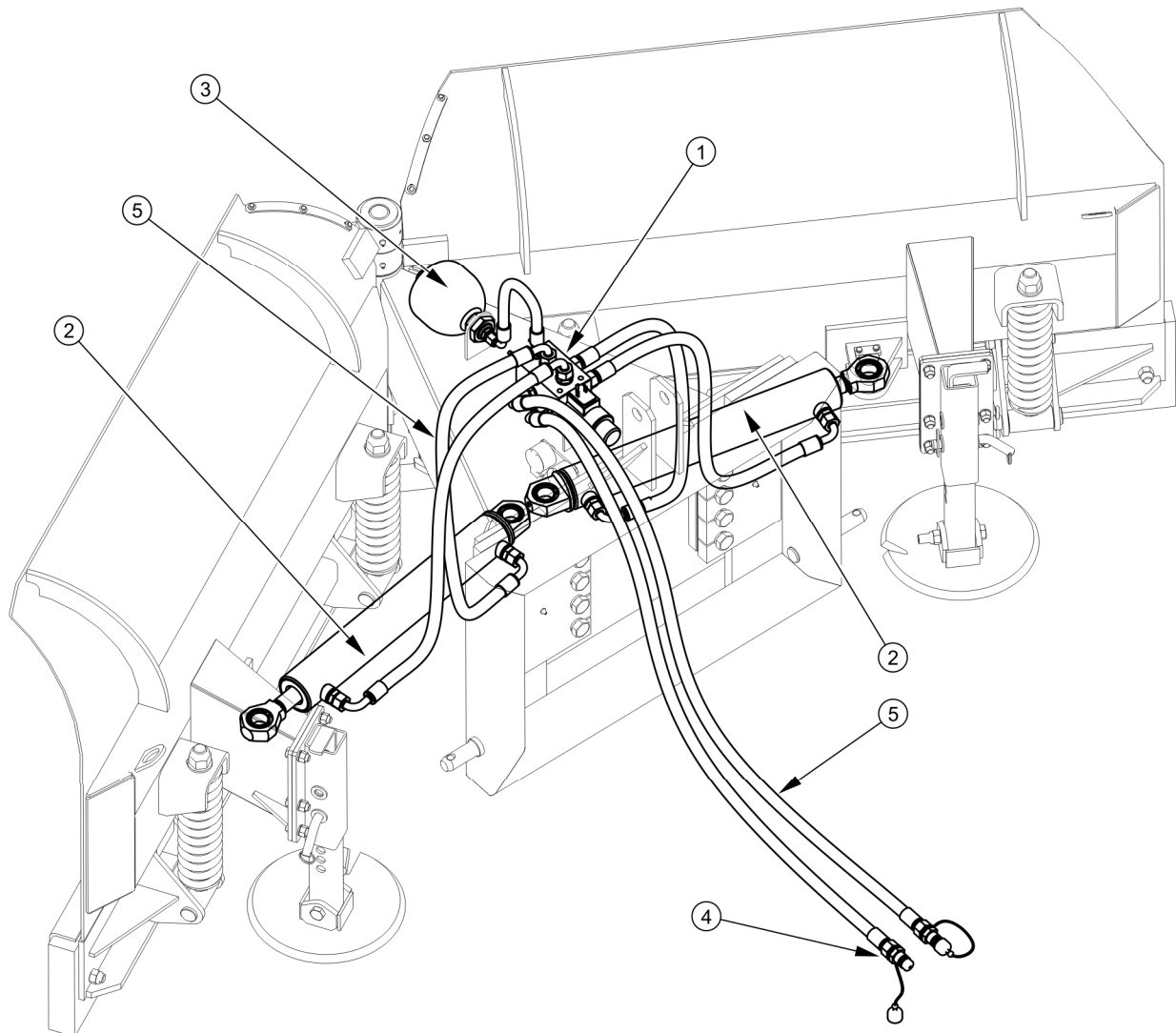


FIG. 3.3 Plough components

(1) solenoid valve, (2) hydraulic cylinders, (3) hydraulic accumulator (option), (4) quick coupler, (5) hydraulic conduits;

Plough blades working position can be adjusted by means of two hydraulic cylinders (2) controlled by solenoid valve (1) using the electrical switch in the electrical wiring. Plough hydraulic system is powered with oil supplied from the tractor or loader by two conduits terminated with quick couplings (4). Ploughs with hydraulic shock absorbers are also equipped with hydraulic accumulator (3) and a solenoid valve (1) with overpressure valve.

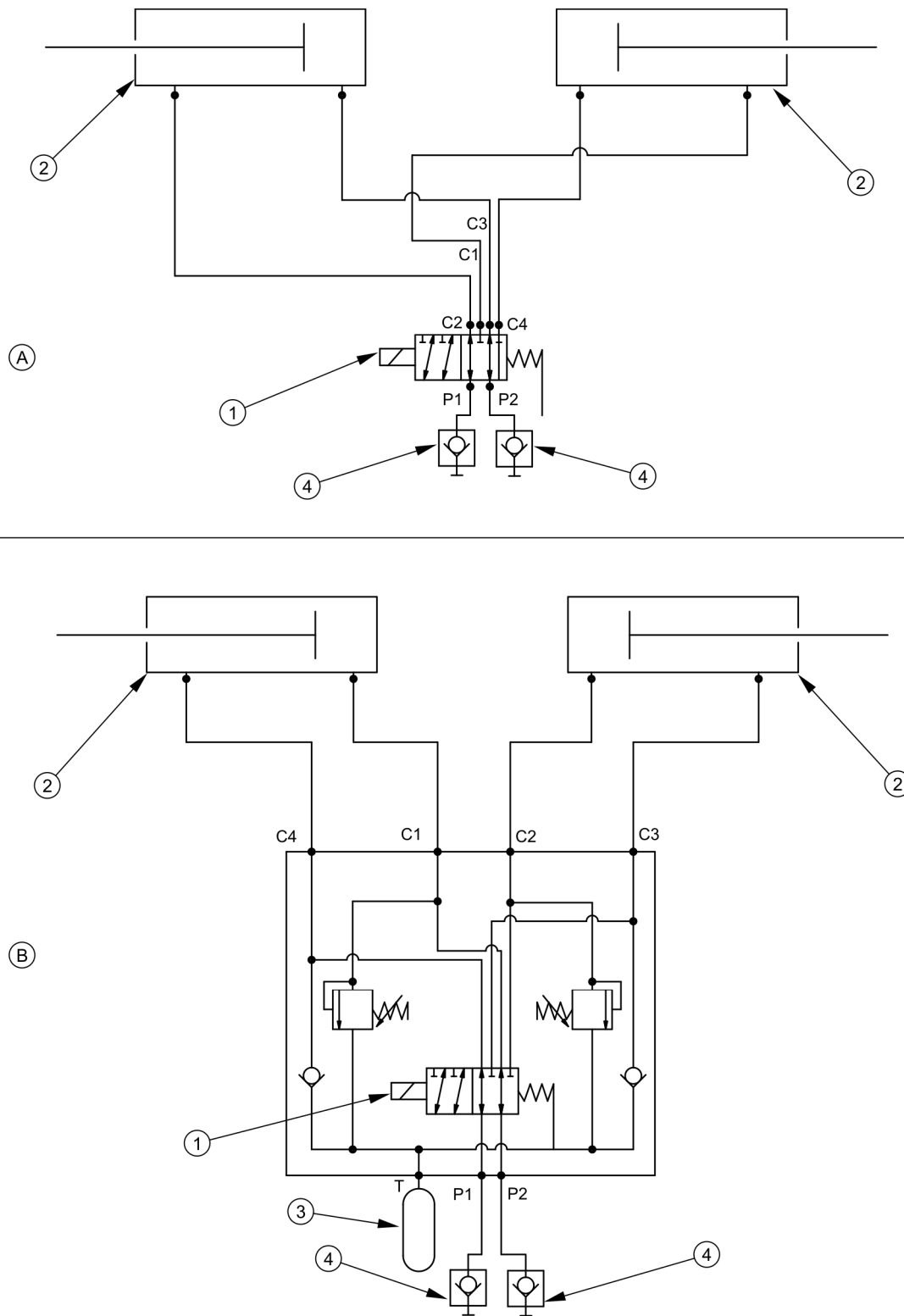


FIG. 3.4 Hydraulic system concept diagrams

(A) hydraulic system without shock absorber; (B) hydraulic system with shock absorber; (1) solenoid valve, (2) hydraulic cylinders, (3) hydraulic accumulator; (4) quick coupling plug

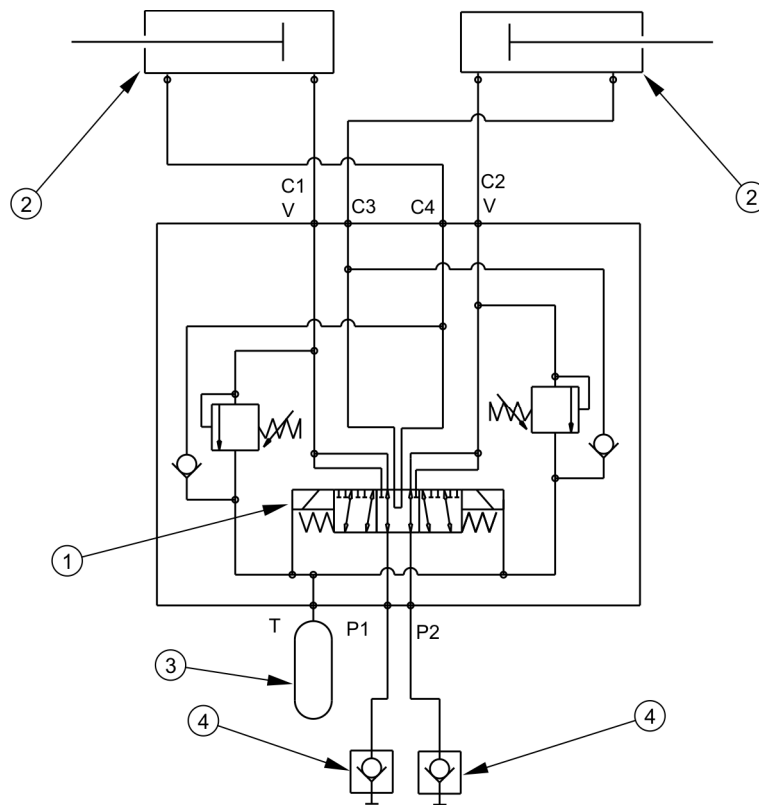


FIG. 3.5 Hydraulic system concept diagram (independent simultaneous control)

(1) solenoid valve, (2) hydraulic cylinders, (3) hydraulic accumulator; (4) quick coupling plug

3.4 ELECTRICAL SYSTEM

The plough's electrical lighting system is designed for supply of 12 V DC. In basic equipment, the plough clearance lights electrical system is connected using a lead with 3-pin plugs. In optional equipment configuration, the connection lead has 7-pin plugs.

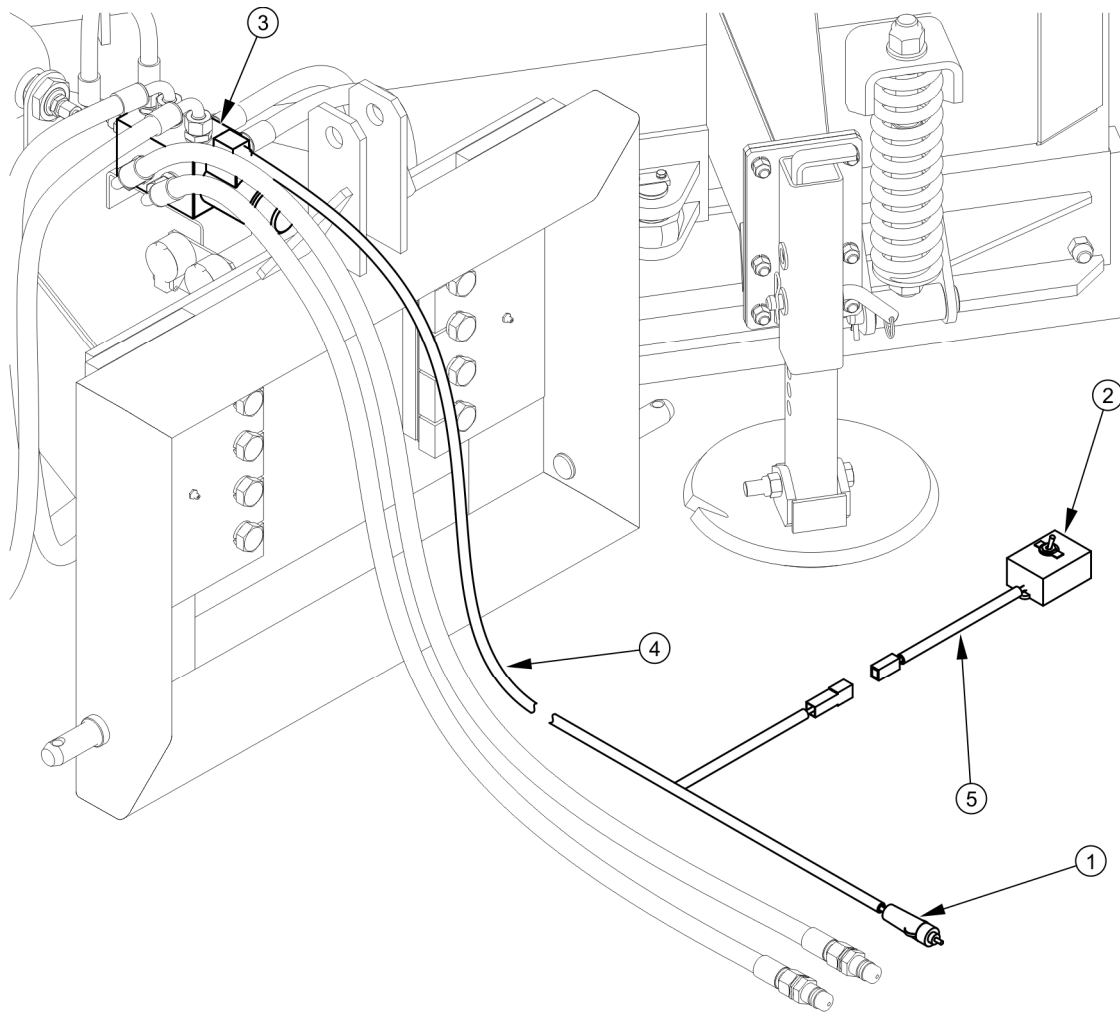


FIG. 3.6 Design of solenoid valve electrical system

(1) cigarette lighter socket, (2) switch, (3) solenoid valve, (4) solenoid valve wiring harness, (5) switch wiring harness

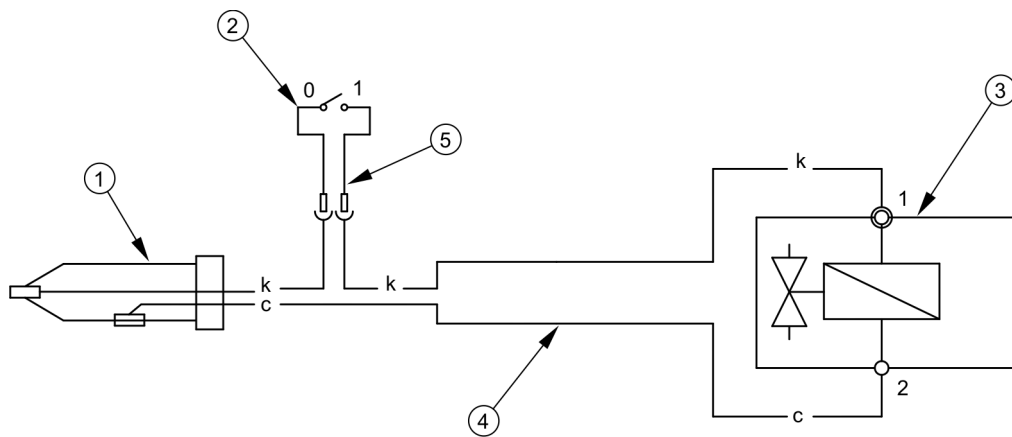


FIG. 3.7 Concept diagram of independent control electrical system

(1) socket; (2) switch; (3) solenoid valve; (4) solenoid valve wiring harness; (5) switch wiring

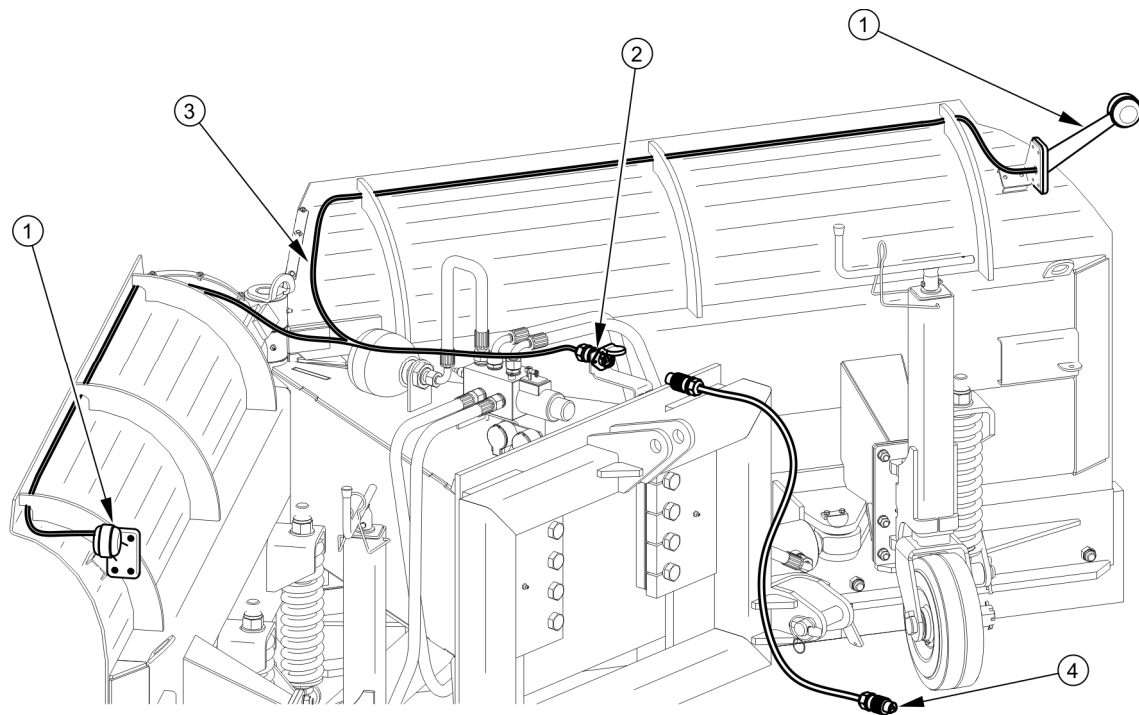


FIG. 3.8 Clearance lights electrical system

(1) clearance lamp; (2) 3-pin socket; (3) wiring harness, (4) connection lead

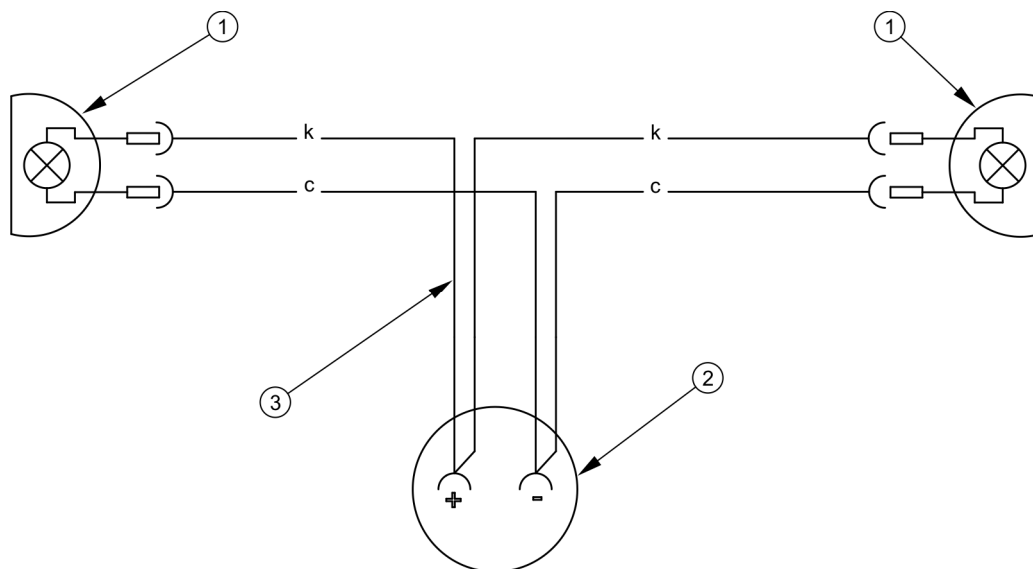


FIG. 3.9 Concept diagram of clearance lights electrical system

(1) clearance lamp; (2) 3-pin socket; (3) wiring harness

Connection lead (4) – figure (3.8) is available in two versions depending on the customer's requirements. The standard version of the lead is equipped with a 3-pin plug for connecting to the tractor's electrical system. The optional version of the lead has a 7-pin connection plug.

SECTION

4

CORRECT USE

4.1 PREPARING FOR WORK

DANGER



Before using the plough, the user must carefully read this operator's manual.

Careless and improper use and operation of the machine, and non-compliance with the recommendations given in this operator's manual is dangerous to your health.

The machine must never be used by persons, who are not authorised to drive agricultural tractors (carrying vehicles), including children and people under the influence of alcohol or other drugs.

Non-compliance with the safety rules of this Operator's Manual can be dangerous to the health and life of the operator and others.

Before starting the machine, make sure that there are no bystanders in the danger zone.

The manufacturer guarantees that the machine is fully operational and has been checked according to quality control procedures and is ready for normal use. This does not release the user from an obligation to check the machine's condition after delivery and before first use. The machine is delivered to the user completely assembled (except for individually packed wiring).

Prior to connecting to the tractor, machine operator must verify the machine's technical condition. In order to do this:

- the user must carefully read this Operator's Manual and observe all recommendations, understand the design and the principle of machine operation
- check the compatibility of the plough linkage with suspension system of the carrying vehicle,
- make sure that electrical wiring and hydraulic system outlets are compatible,
- check the condition of protective paint coat,
- Inspect machine's individual components for mechanical damage resulting from incorrect transport (dents, piercing, bent or broken components),
- check all the lubrication points, lubricate the machine as needed according to recommendations provided in section 5 "MAINTENANCE",
- check technical condition of the hydraulic and electrical system;
- check the technical condition of the collecting strips,

- check the technical condition of the linkage components,

**ATTENTION!**

Non-adherence to the recommendations contained in the Operator's Manual or improper use may cause damage to the machine.

The technical condition before starting the machine must be no cause for concern.

If all the above checks have been performed and there is no doubt as to the machine's good technical condition, it can be connected to carrying vehicle, started and all its individual systems checked. In order to do this:

- Hitch the machine to a tractor or other carrying vehicle (see "*HITCHING TO CARRYING VEHICLE*")
- After connection of hydraulic system conduits and electrical system wiring, the correct operation of individual systems should be checked with inspection of systems and hydraulic cylinders with regard to seals and tightness.
- check your plough settings for each working position,

In the event of a disruption in the operation of the machine immediately discontinue its use, locate and remove the fault. If a fault cannot be rectified or the repair could void the guarantee, please contact the Manufacturer for additional clarifications.

**ATTENTION!**

Before using the machine always check its technical condition. In particular, check the technical condition of the hitch and hydraulic system.

4.2 CHECKING TECHNICAL CONDITION

When preparing the machine for normal use, check individual elements according to guidelines presented in table (4.1)

TAB. 4.1 TECHNICAL INSPECTION SCHEDULE

DESCRIPTION	SERVICE OPERATION	FREQUENCY
Technical condition of blades and collecting strips.	Visually inspect and if necessary replace according to section " <i>REPLACEMENT OF COLLECTING STRIPS</i> "	before beginning work
Technical condition of slides or wheels (option)	Check the technical condition, if complete and correctly mounted	
Technical condition of linkage	Check the technical condition, if complete and correctly mounted	
Technical condition of the hydraulic system.	Visually inspect the technical condition	
Technical condition of the electrical controls	Visually inspect the technical condition	
Check of all main nut and bolt connections are properly tightened	Torque values should be according to table (5.2)	Once a week
Lubrication	Lubricate elements according to table „ <i>LUBRICATION</i> ".	Accodng to table (5.5)



ATTENTION!

The machine must not be used when not in working order.

4.3 HITCHING TO VEHICLE

The PUV-3000/PUV-3300 plough may only be mounted on a tractor (carrying vehicle) fulfilling the requirements contained in table (1.1) "Agricultural tractor (carrying vehicle) requirements".

Figures (4.1), (4.2) and (4.3) show linkage system versions which are available as optional equipment of the ploughs.

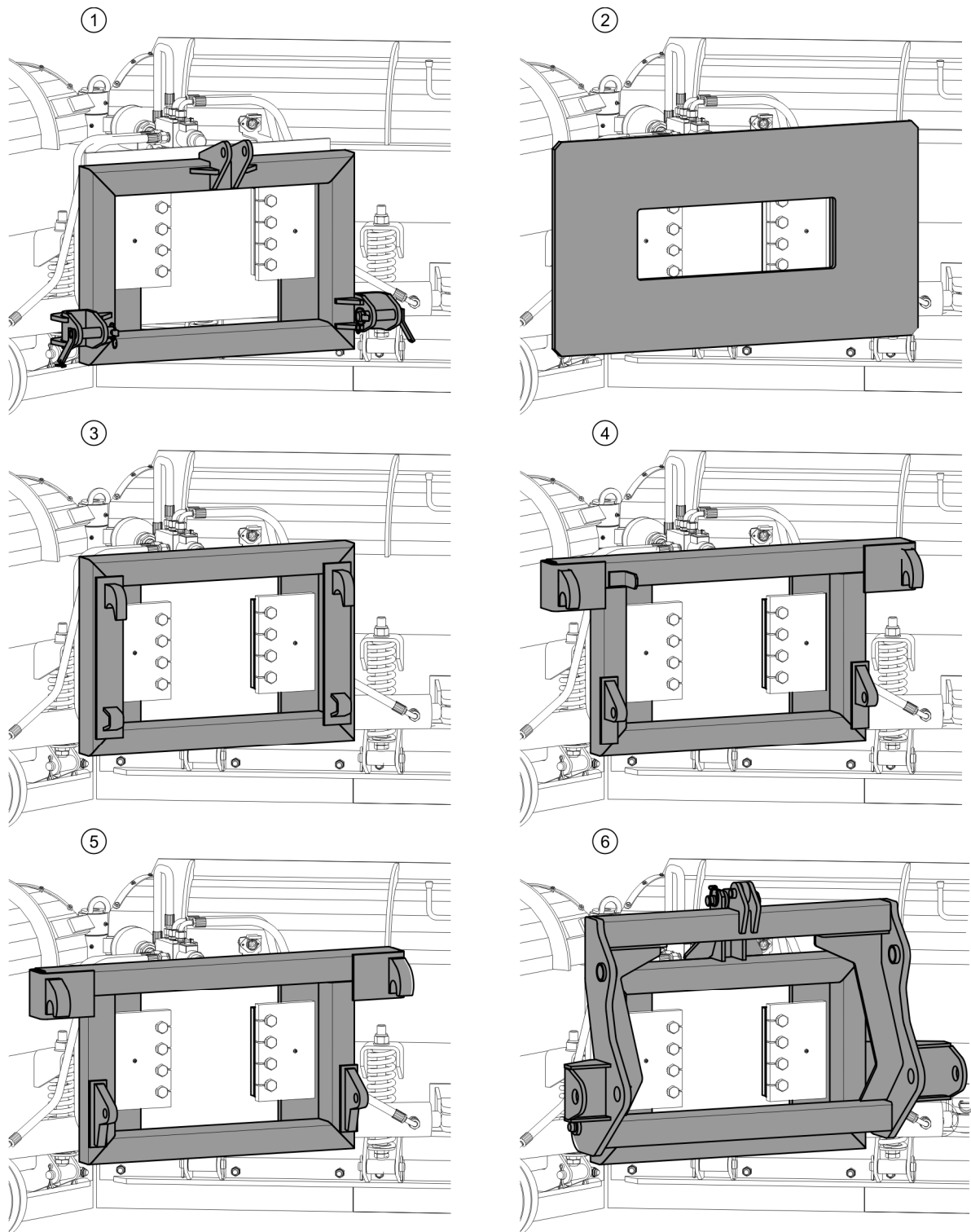


FIG. 4.1 Types of linkage systems

(1) - three-point linkage cat. II ISO 730-1; (2) - plate-type linkage for self-installation; (3) - EURO SMS linkage; (4) - ŁC 1650 linkage; (5) - EURO linkage, (6) - CAT432E linkage

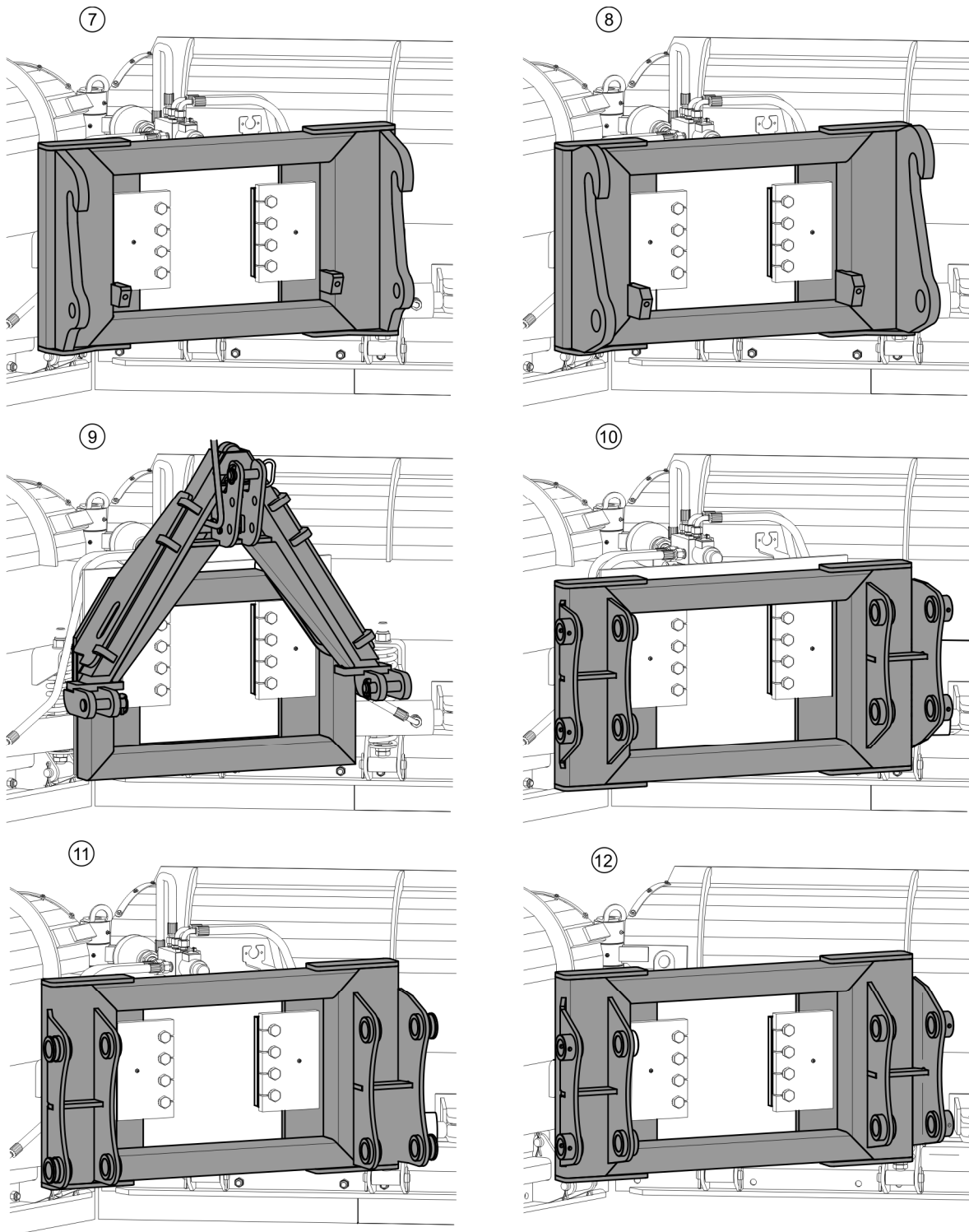


FIG. 4.2 **Types of linkage systems**

(7) - ATLAS AR 55/65/70/80/85 linkage; (8) - ATLAS AR 95 linkage; (9) - A-RAMA linkage;
(10) - JCB 3CX linkage, (11) - CASE linkage, (12) - JCB 3X CONTRACTOR/JCB 2X linkage

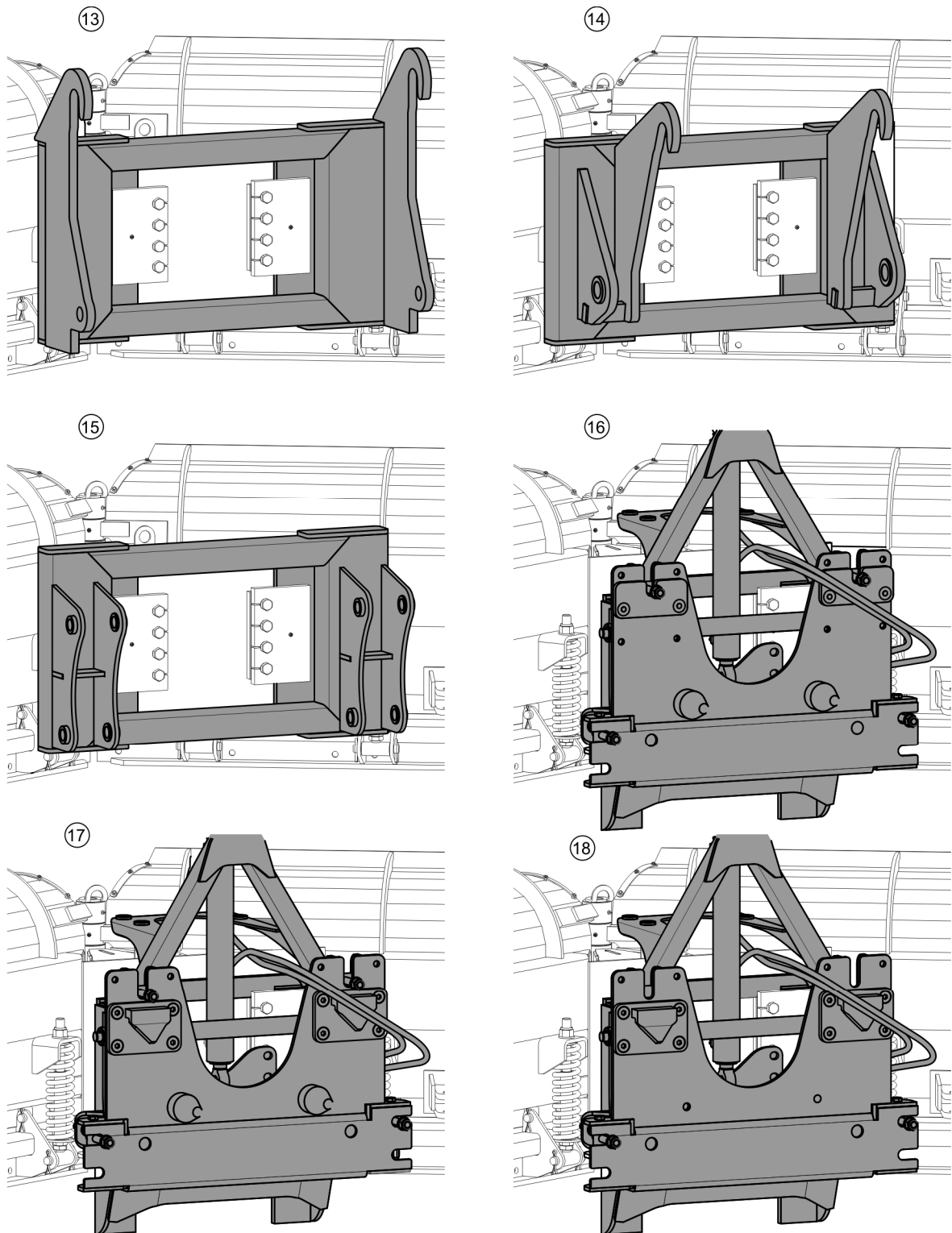


FIG. 4.3 Types of linkage systems

(13) - JCB 535-125 linkage; (14) - JCB 2X linkage; (15) - FORD 655C linkage; (16) - SETRA linkage, (17) - SETRA/DIN A linkage, (18) - DIN A linkage

ATTENTION!

Before hitching the plough to tractor (carrying vehicle), the user must carefully read the tractor (carrying vehicle) operator's manual.

Tractor weight (carrying vehicle) must not be transferred to the plough, as it could result in damaging it.

DANGER

When hitching, there must be nobody between the machine and the tractor (carrying vehicle).

Exercise caution when hitching the machine to carrying vehicle.

4.3.1 HITCHING TO THE THREE POINT LINKAGE

Before hitching the plough to tractor three-point linkage, make sure that the category of the tractor linkage is compatible with that of the plough.

Hitching the plough to tractor three-point linkage do the following:

- move the lower rod of tractor three-point linkage to the lower linking points of the plough. Set lower rods at an appropriate height,
- switch off tractor's engine and prevent it from moving,
- connect the lower pins of the plough linkage with three-point linkage and secure with linchpins,
- in the case of the hook linkage place balls on plough linkage pins, secure with linchpins and lift the pins until balls lock in hooks,
- connect tractor upper link (central connector) to the plough upper attachment point and secure with linchpin,
- eliminate lateral plough movements by appropriate adjustment of the lower arm stabilisers; it is recommended that both the lower links of the three-point linkage are set at the same height,
- lift plough using tractor three point linkage.

**DANGER**

To mount machine on tractor (carrying vehicle) use only genuine pins and safeguard linchpins.

4.3.2 HITCHING TO FRONT LOADER

In order to hitch plough to front loader- figure (4.4):

- unlock quick securing mechanism in loader frame;
- lower arm and turn frame downwards (A) so that mounting points on quick mounting frame are below the mounting points of the plough;
- drive loader close to the plough and insert mounting points into the appropriate places in the quick mounting frame of the extension arm;
- lift the arm (B) so that the upper mounting points are in the plough hooks;
- controlling the loader frame tilt it back (C), causing the locking of the quick mounting mechanism;
- check if mounting is secure;
- engage the quick securing mechanism (depending on loader type)

The described method of connecting is indicative and may vary depending on the loader model. A detailed method of connecting attachments is provided in front loader operator's manual.

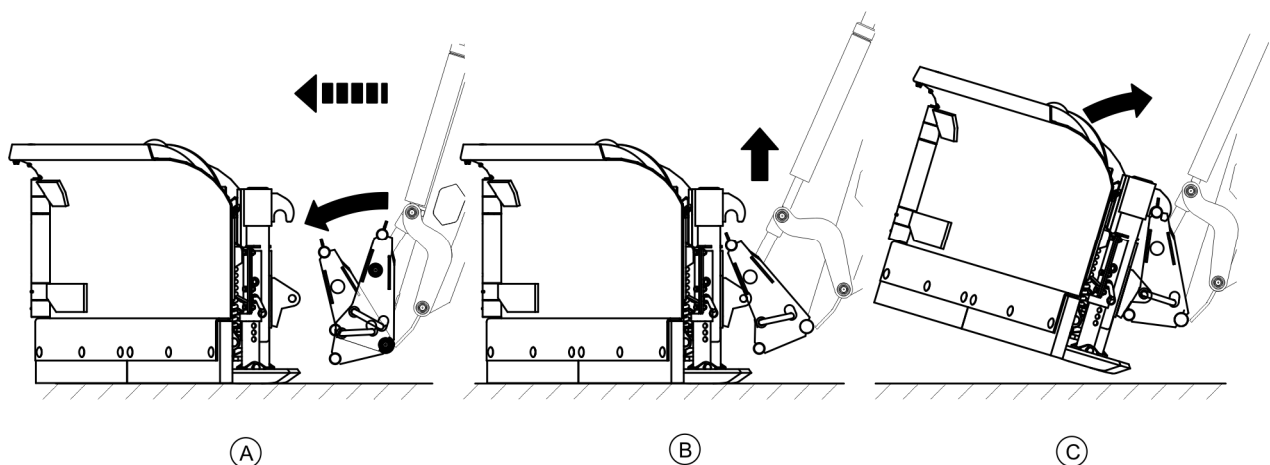



FIG. 4.4 Hitching to front loader

(A), (B), (C)- next stages of connecting



IMPORTANT!

It is not recommended to operate a snowplough attached to front loader with a speed of more than 6 km/h.

4.4 CONNECTING HYDRAULIC AND ELECTRICAL SYSTEM

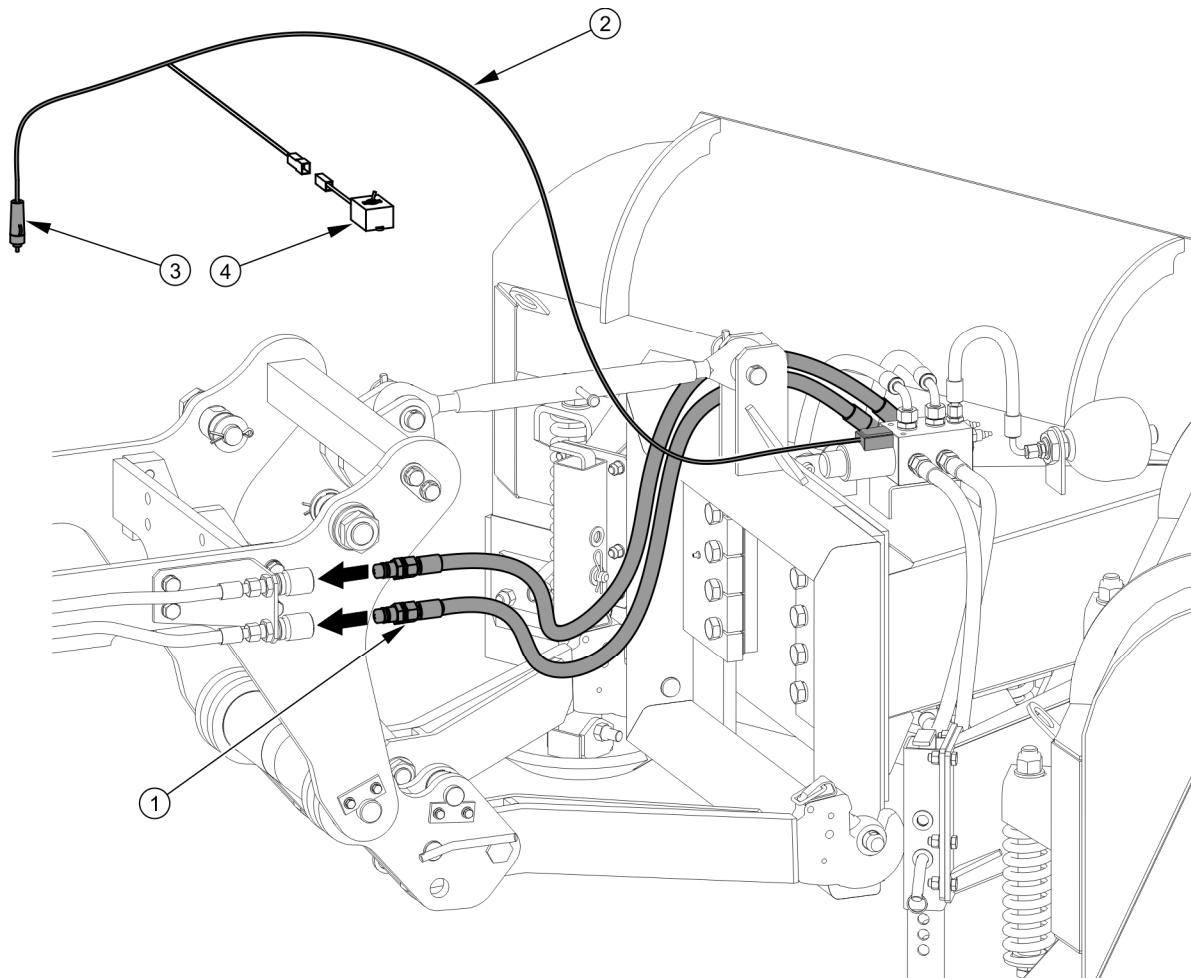


FIG. 4.5 Connecting hydraulic and electrical system to tractor

(1) - hydraulic conduits; (2) - solenoid valve power cable; (3) - lighter socket plug; (4) - switch

Connect plough control hydraulic conduit connectors (1) **TO THE TRACTOR EXTERNAL HYDRAULIC OUTLETS** – figure (4.5). When connecting hydraulic conduits to the tractor make sure they are arranged without bends and twists, and are protected from damage.

Manner of connection of hydraulic conduits and solenoid valve power cord is shown on figure (4.5).

Plug (3) of solenoid (2) power cord is connected to 12V cigarette lighter socket, connect switch (4) to lead (2) place in the operator cab in an accessible place. Arrange electrical wires so as to prevent their damage during operation.

DANGER



When connecting the hydraulic conduits to the tractor, make sure that the tractor hydraulic system is not under pressure.

Prior to connecting individual system conduits the user must carefully read the tractor operator's manual and observe all Manufacturer's recommendations.

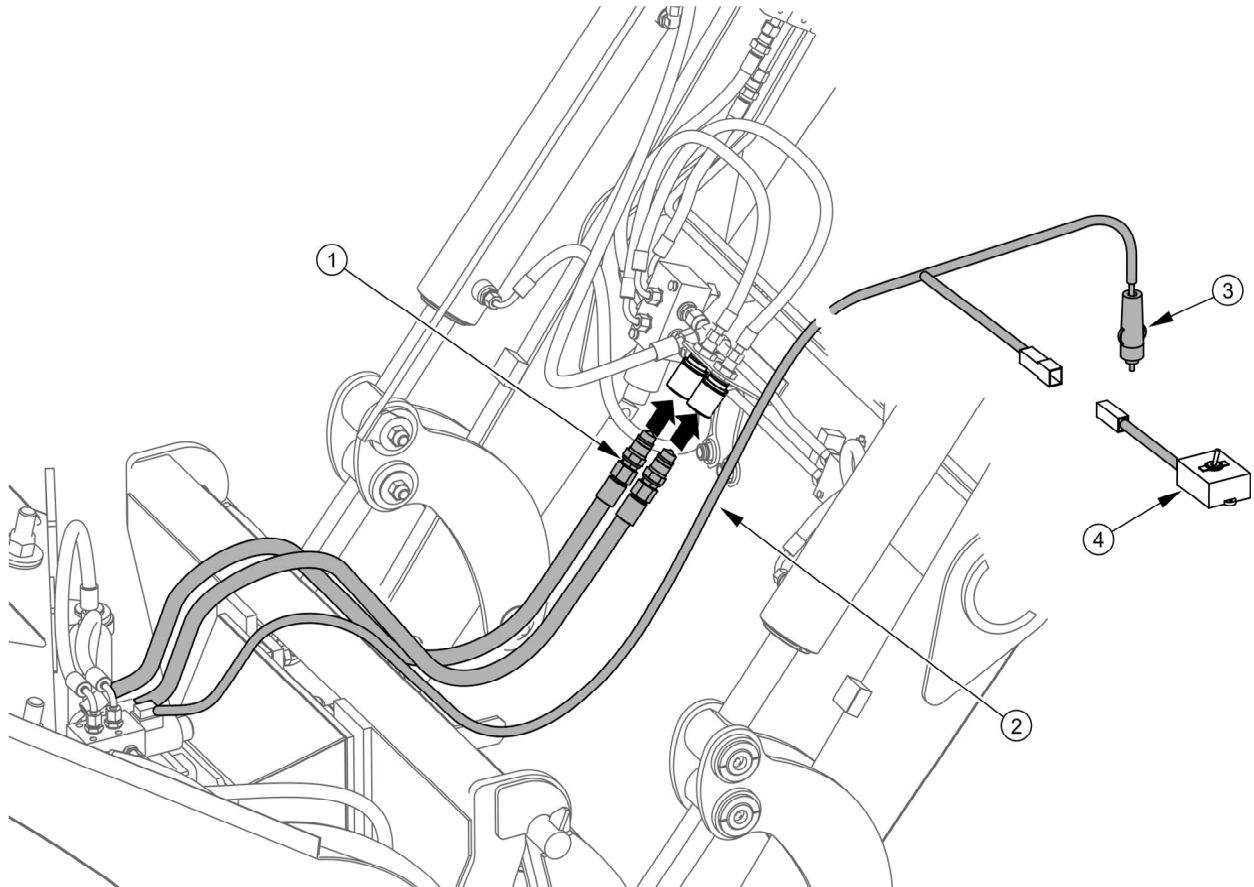


FIG. 4.6 Connecting hydraulic and electrical system to loader

(1) - hydraulic conduits; (2) - solenoid valve power cable; (3) - lighter socket plug; (4) - switch



ATTENTION!

During operation, the connecting cables should be routed so that they do not get entangled in moving machine parts.

Connect plough control hydraulic conduit connectors (1) to the loader external hydraulic outlets. Plug(3) of solenoid (2) power cord is connected to 12V cigarette lighter socket, connect switch (4) to lead (2) place in the operator cab in an accessible place. Arrange electrical wires and hydraulic conduits so as to prevent their damage during operation.

4.5 PLOUGH OPERATION

4.5.1 LEVELLING PLOUGH BODY

For optimum operation, plough body should level (the main blades pivot axis should be perpendicular to the ground and collecting strips (2) vertical).

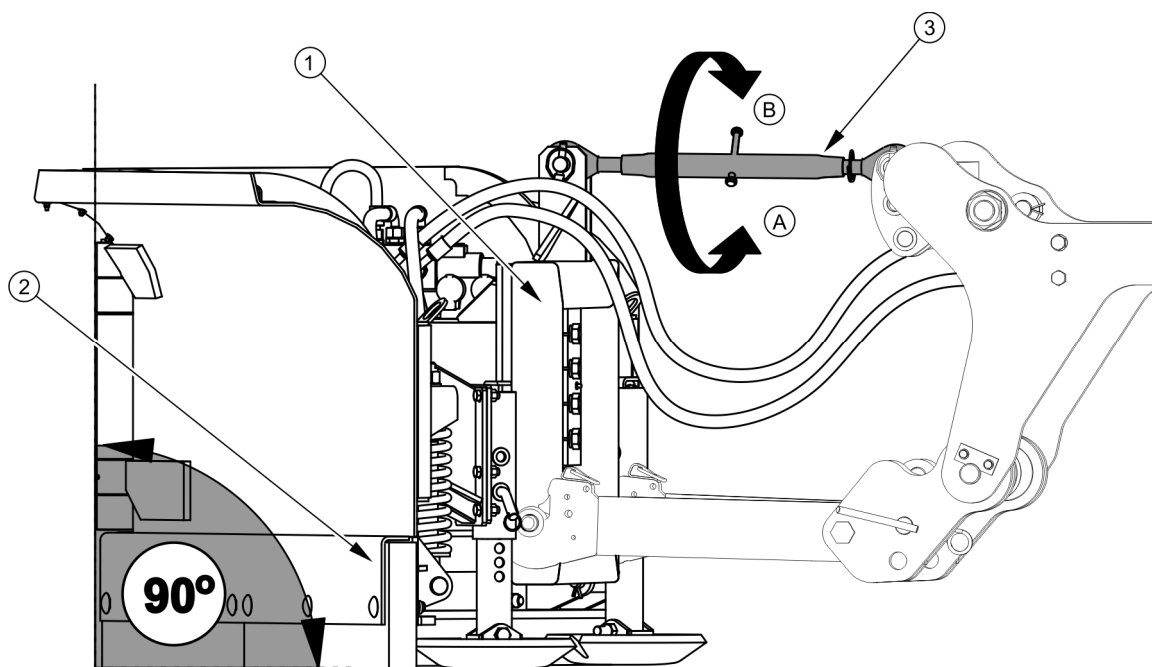


FIG. 4.7 Levelling plough body

(1) linkage; (2) collecting strip; (3) central connector; (A) connector lengthening direction; (B) connector shortening direction

Levelling of plough body in carrying vehicles with three-point linkage is done by adjusting the central link length (3)- figure (4.7), while in front loaders by proper positioning of implement mounting frame (e.g. using implement position indicator, if any). Otherwise, collecting strips will wear unevenly.

4.5.2 ADJUSTING PLOUGH WORKING POSITIONS

PUV-3000 / PUV-3300 snow plough has four adjustable working positions. In order to change the plough working position use a single manifold lever in tractor and an electric switch.

When switch is set to "OFF" or "0" single plough blade can be controlled and when the switch is flipped to "ON" or "I" (the other plough blade can be controlled - figure (4.8)).



DANGER

The plough is controlled from the operator cab.

When plough is in use there must be no bystanders near the machine.

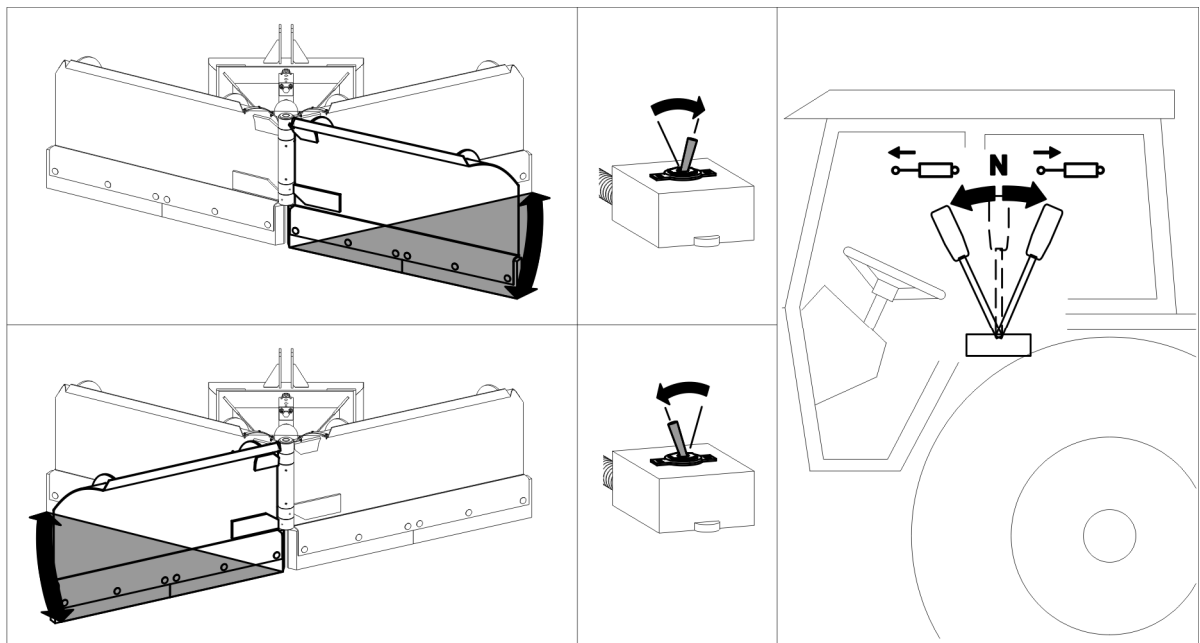


FIG. 4.8 Setting working position for independent control

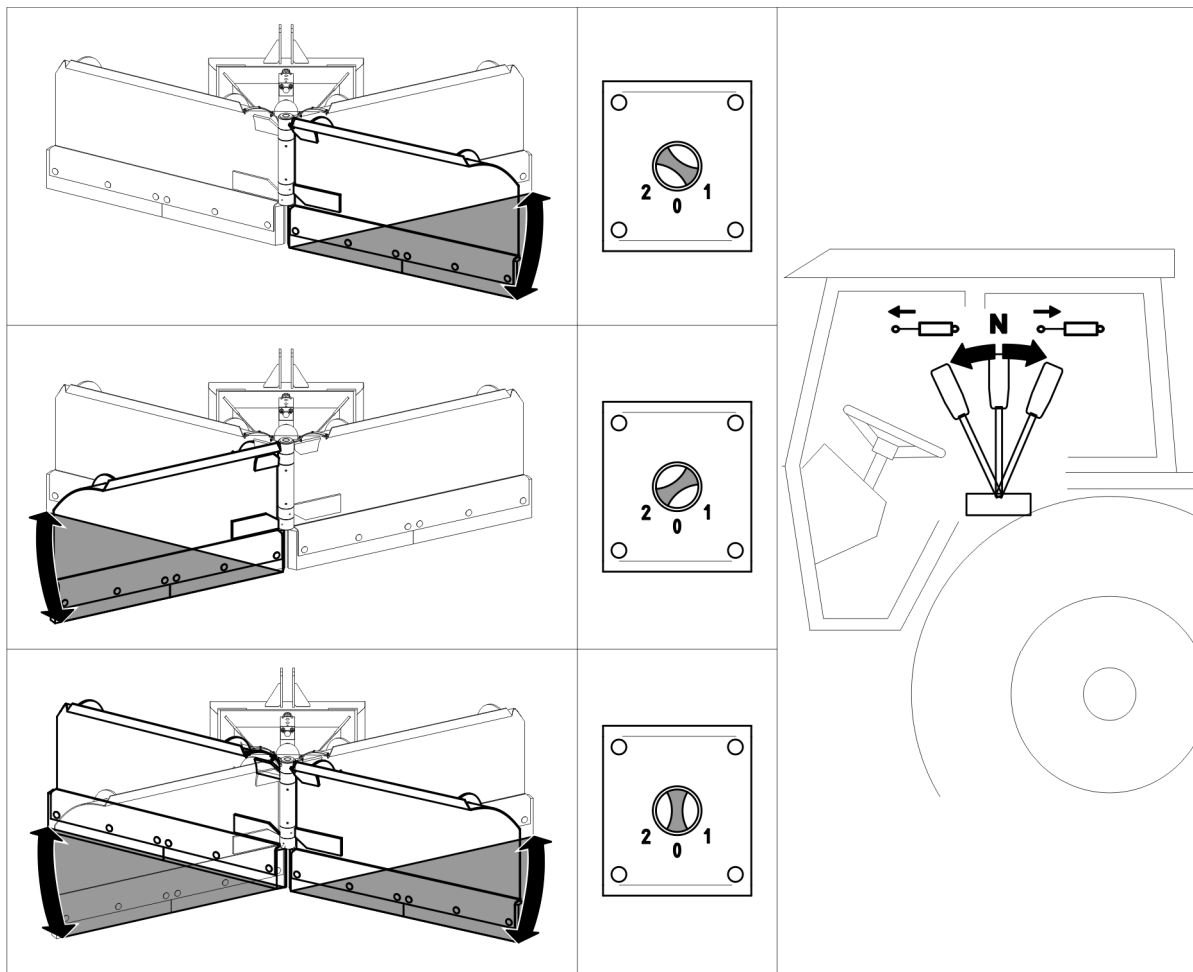


FIG. 4.9 Setting working position for simultaneous independent control

Simultaneous independent control (option) enables setting any position of plough blades – figure (4.9). When the switch is set in position „1”, the left plough blade can be controlled; when the switch is set to position „2”, the right plough blade control is active. Simultaneous control of both plough blades is possible in position „0”.

The use of proper options of the switch makes it possible to set any position of plough blades which significantly improves comfort and efficiency of work.



IMPORTANT!

It is not recommended to operate the machine in heavy duty condition with a speed of more than 6 km/h.

Working speed depends on the quantity and quality of collected material but also on the type of terrain. It is not recommended to operate PUV-3000 / PUV-3300 plough mounted on front loaders when blades are set (right or left) in severe conditions, i.e.:

- uneven terrain,
- unknown terrain and obstacles
- packed or frozen snow or ice,
- snow layer thicker than 30 cm.



IMPORTANT!

It is not recommended to operate a snowplough attached to front loader with a speed of more than 6 km/h.

Hydraulic system with shock absorber is recommended for work in severe conditions.

4.5.3 SETTING COLLECTING STRIPS INCLINATION ANGLE

When collecting strips (1) encounter an obstacle they swing back thanks to cushioning springs (4). Collecting strips inclination angle – figure (4.10) is adjusted using nuts (3). Spring tension (4) is adjusted by nuts (2).



DANGER

Setting collecting strips inclination angle and height can be performed only when the engine is stopped, the machine is raised and secured.

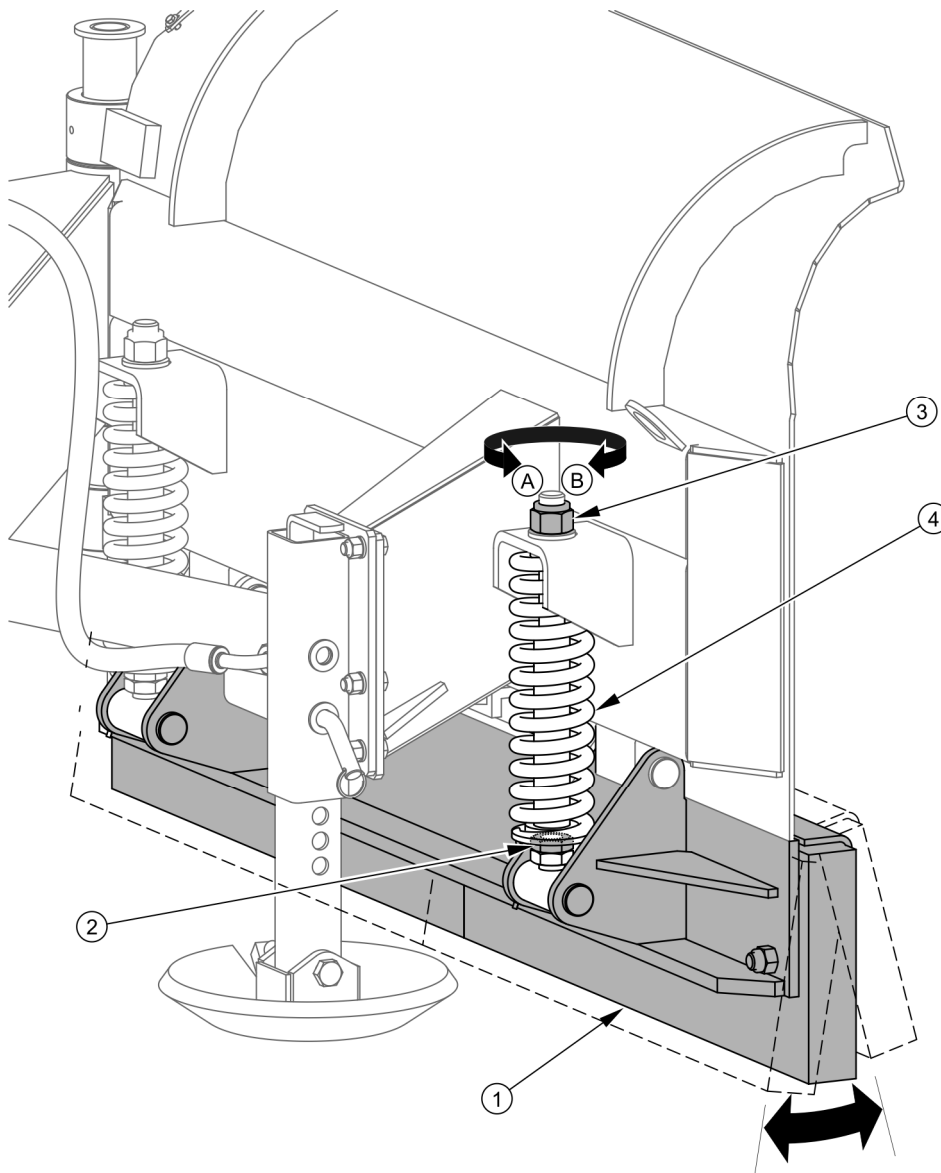


FIG. 4.10 **Setting collecting strips inclination angle**

(1) collecting strip; (2) spring tension adjustment nut; (3) angle adjustment nut; (4) shock absorber spring, (A) spring tension reduction direction, (B) spring tension increase direction

4.5.4 SETTING WORKING HEIGHT

In ploughs equipped with slides – figure (4.11) working height adjustment is performed by unlocking pin (4) and proper ejection or withdrawal of slide (1) set in guide (2). Location of the slide in the guide can be changed every 12 mm using one of the openings in the guide. When the height is set, slides must be protected with a pin (3) and spring linchpin (4). Slides of the left and right blade should be put forward at the same height.

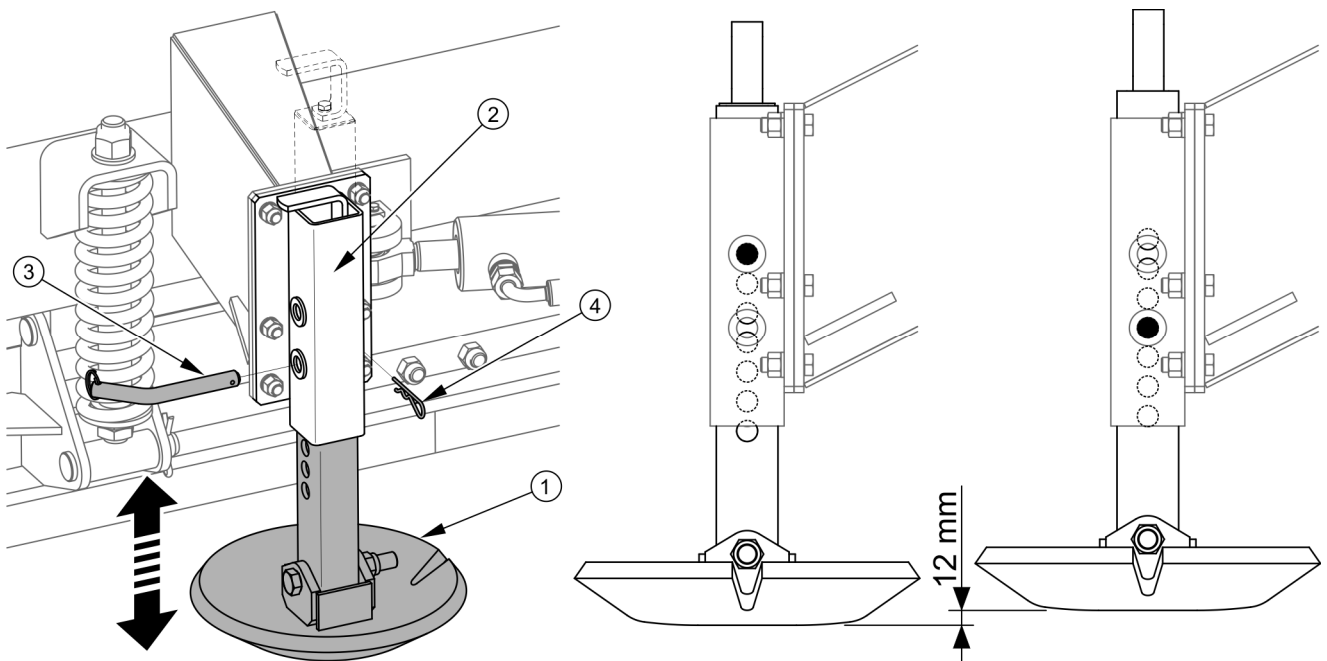


FIG. 4.11 Height adjustment in ploughs equipped with slides.

(1) slide, (2) slide guide (3) pin, (4) locking linchpin

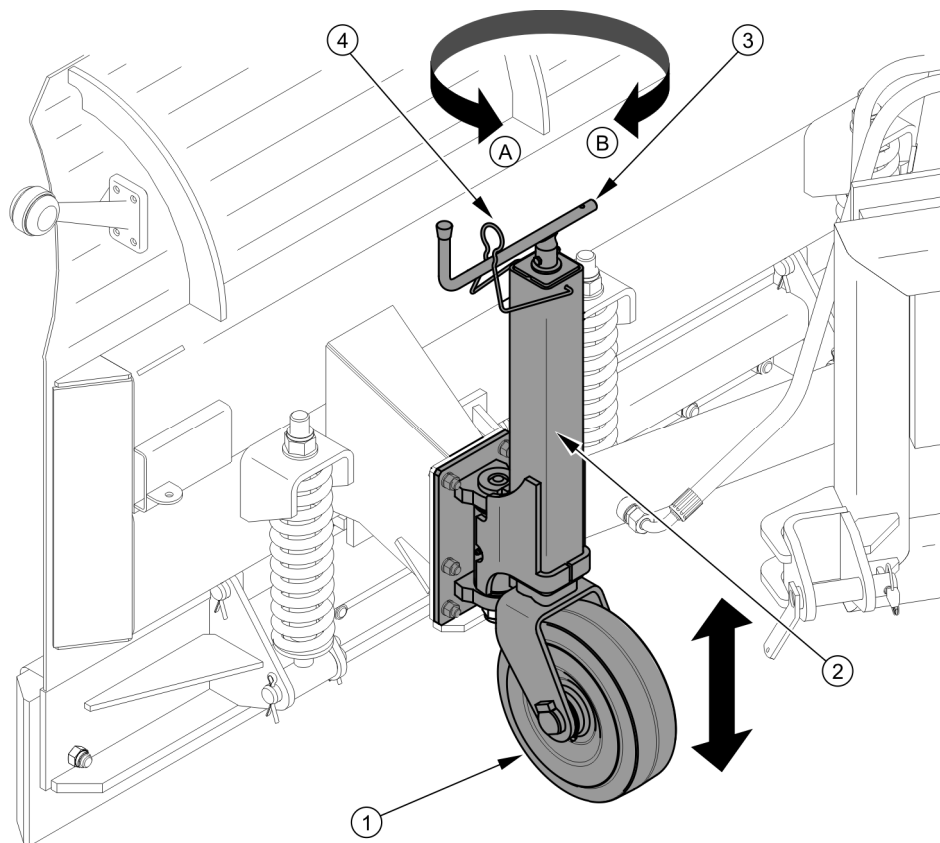


FIG. 4.12 Height adjustment in ploughs equipped with wheels

(1) wheel; (2) body; (3) knob; (4) knob lock, (A) lifting, (B) lowering

Working height adjustment in ploughs equipped with wheels – figure (4.12) is carried out by withdrawal of wheel (1) in body (2). It is achieved by turning knob (3). The knob is protected by a lock (4). After setting wheel height, appropriately set knob (3) and secure with lock (4). It is recommended that both wheels are set at the same height.

4.6 DRIVING ON PUBLIC ROADS

When driving on public roads, respect the road traffic regulations, exercise caution and prudence. If the clearing with plough is done on a pavement special attention should be paid to the bystanders likely to be near the machine. Listed below are the key guidelines.

- Before moving off make sure that there are no bystanders, especially children, near the machine or the tractor. Take care that the driver has sufficient visibility.
- Make sure that the plough is correctly attached to the tractor (carrying vehicle), and linkage is properly secured.
- While driving or operating the machine on public roads turn on clearance lamps.
- Permissible design speed and maximum speed allowed by road traffic law must not be exceeded. Speed of travel should be adjusted to prevailing road conditions and other conditions.
- While working a plough turn the orange beacon light in tractor.
- Avoid ruts, depressions, ditches or driving on roadside slopes. Driving across such obstacles could cause the trailer or the tractor to suddenly tilt. Driving near ditches or canals is dangerous as there is a risk of the wheels sliding down the slope or the slope collapsing.
- Speed must be sufficiently reduced before making a turn or driving on an uneven road or a slope.
- When driving on uneven terrain with the implement raised reduce speed due to dynamic loads and the risk of damaging the machine or carrying vehicle.
- When driving with raised plough set it so as not to obscure the lights or restrict the visibility of the operator.
- When driving with raised implement, secure the tractor (carrying vehicle) linkage against falling or accidental dropping.

4.7 DISCONNECTING THE PLOUGH

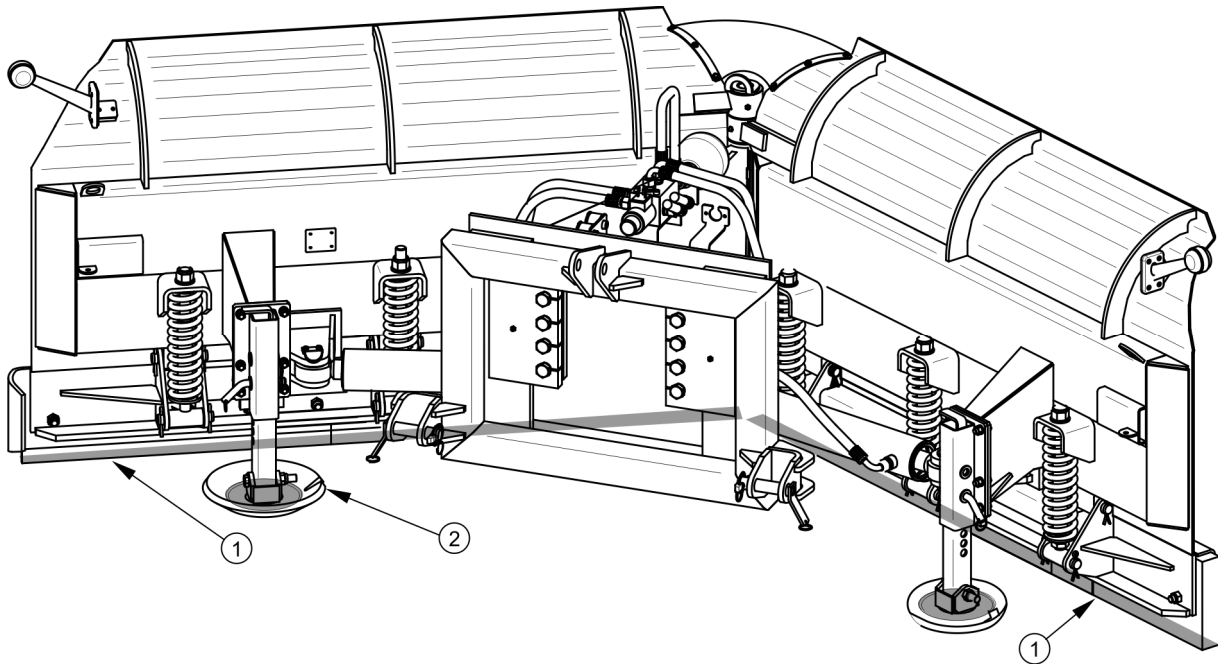


FIG. 4.13 Plough position when disconnected from the carrying vehicle

(1) - steel collecting strip (rubber collecting strip optional), (2) - slides (wheels optional)

In order to disconnect the plough from the tractor, proceed as follows:

- position plough so that blades are folded to the rear –figure (4.13),
- lower the plough until it fully rests on the ground,
- turn off the engine in the tractor, engage the parking brake,
- reduce residual pressure in the hydraulic system by movement of appropriate lever controlling hydraulic circuit,
- disconnect from the tractor the hydraulic conduit plugs and electric power leads of the electromagnetic regulator and clearance lamps,
- plug (1) of hydraulic conduit quick couplers must be protected against pollution and inserted in special sockets (2) on the frame - figure (4.14)
- Disconnect the plough from the tractor (carrying vehicle) linkage.
- After disconnecting from carrying vehicle, plough should rest on the ground leaning against collecting strips (1) and slides (2) or wheels (optional) - figure (4.13).

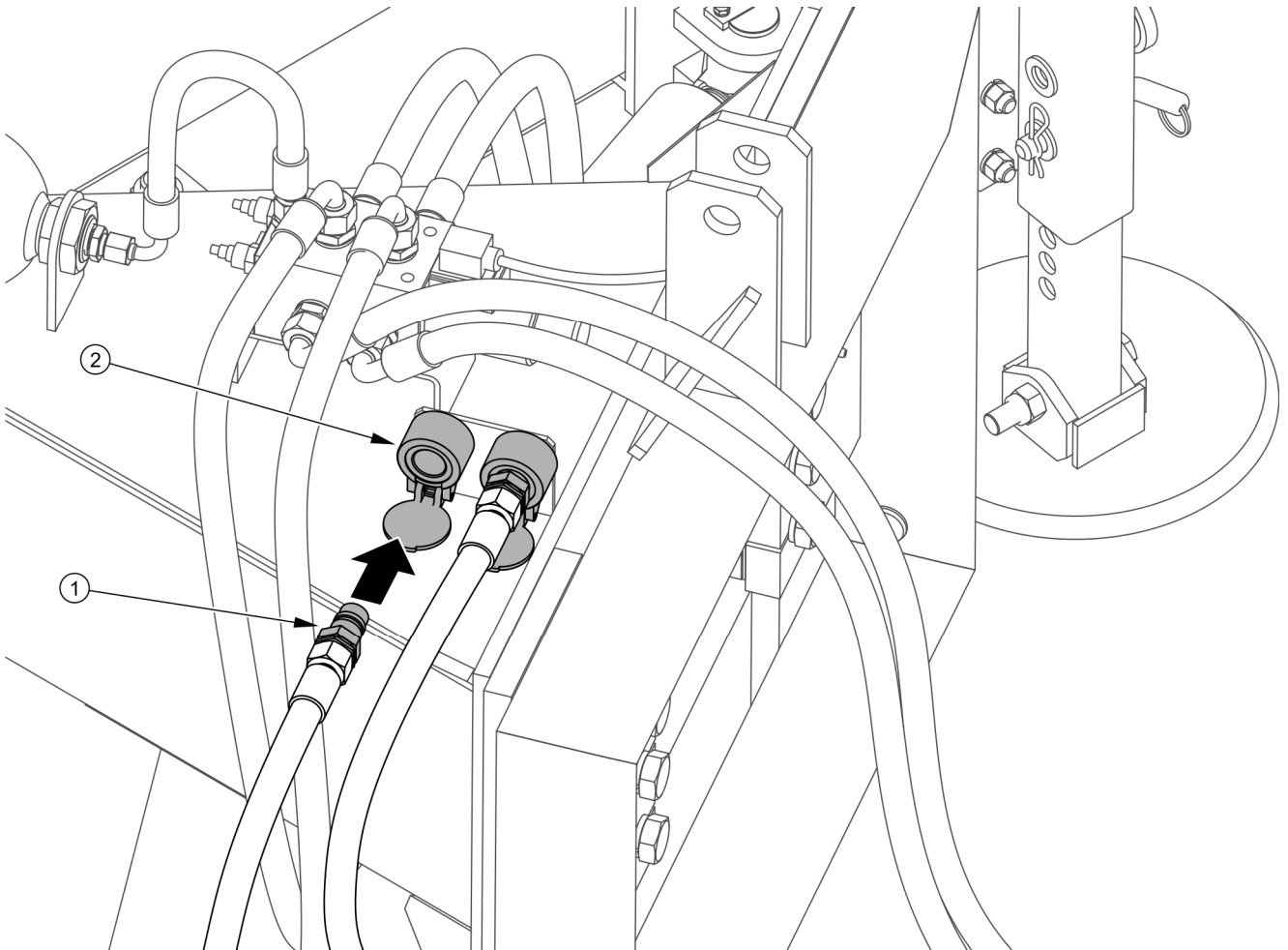


FIG. 4.14 hydraulic sockets plug protection

(1) hydraulic socket plugs; (2) securing sockets



DANGER

Reduce pressure prior to disconnecting the hydraulic system.

SECTION

5

MAINTENANCE

5.1 CHECKING AND REPLACEMENT OF COLLECTING STRIPS



DANGER

During inspection and replacement of collecting strips, switch off tractor engine and remove the key from the ignition.

If the bottom of collecting strips is worn down, they can be reversed and swapped, i.e. collecting strip of the right blade is swapped with the collecting strip of the left blade. When both collecting strips (blades) are worn or damaged, they must be replaced.

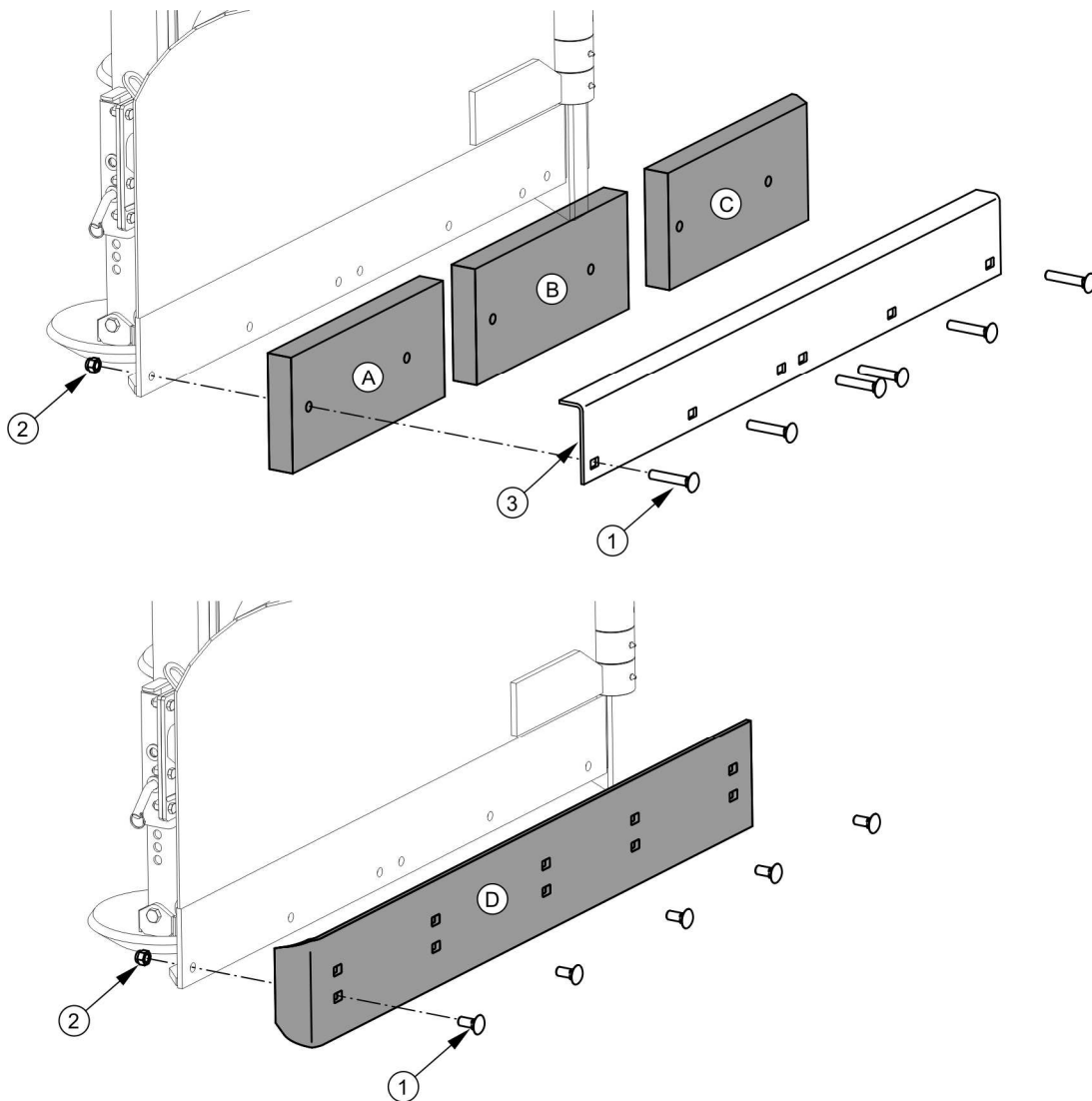


FIG. 5.1 Replacing collecting strip

(A) external plough blade; (B) middle plough blade, (C) internal plough blade; (D) metal collecting strip; (1) bolt; (2) nut; (3) clamping strip

Before replacing collecting blades raise the plough and support with sufficiently stable and strong supports. If the plough is hitched and raised on the front three-point linkage, protect it from falling and immobilise the tractor (turn off the engine and engage the parking brake.)

**DANGER**

Do NOT perform service or repair work under raised and unsupported machine.

Rubber collecting strip consists of three segments (A, B and C) – figure (5.1). To remove the segments of the strip, unscrew the nuts (3), remove screws (1) and remove the clamp strip (2). Install in reverse order.

To remove the metal collecting strips (D) unscrew the nuts (2), remove fixing bolts (1) and remove the collecting strip. Install the new strip in reverse order. If the plough is equipped with slides and collecting strips are replaced it is recommended that working height is checked and possibly adjusted (see 4.5.4 SETTING WORKING HEIGHT)

**ATTENTION!**

Each time snowplough hits an obstacle, the technical condition of collecting strips and their mounting should be checked.

TAB. 5.1 TYPES OF COLLECTING STRIPS IN PUV-3000 PLOUGH

Marking Figure 5.1	Name / Catalogue No.	Number of items	
		Blade right	Blade left
Rubber collecting strip			
A	External rubber plough blade / 279N-05000003	1	1
C	Internal rubber plough blade / 126N-12000001	2	2
Metal collecting strip			
D	Blade / 302N-06000001	1	1

TAB. 5.2 TYPES OF COLLECTING STRIPS IN PUV-3300 PLOUGH

Marking Figure 5.1	Name / Catalogue No.	Number of items	
		Blade right	Blade left
Rubber collecting strip			
A	External rubber plough blade / 279N-05000003	1	1
B	Middle rubber plough blade / 279N-05000002	1	1
C	Internal rubber plough blade / 126N-12000001	1	1
Metal collecting strip			
D	Blade / 279N-06000001	1	1

5.2 SLIDE REPLACEMENT

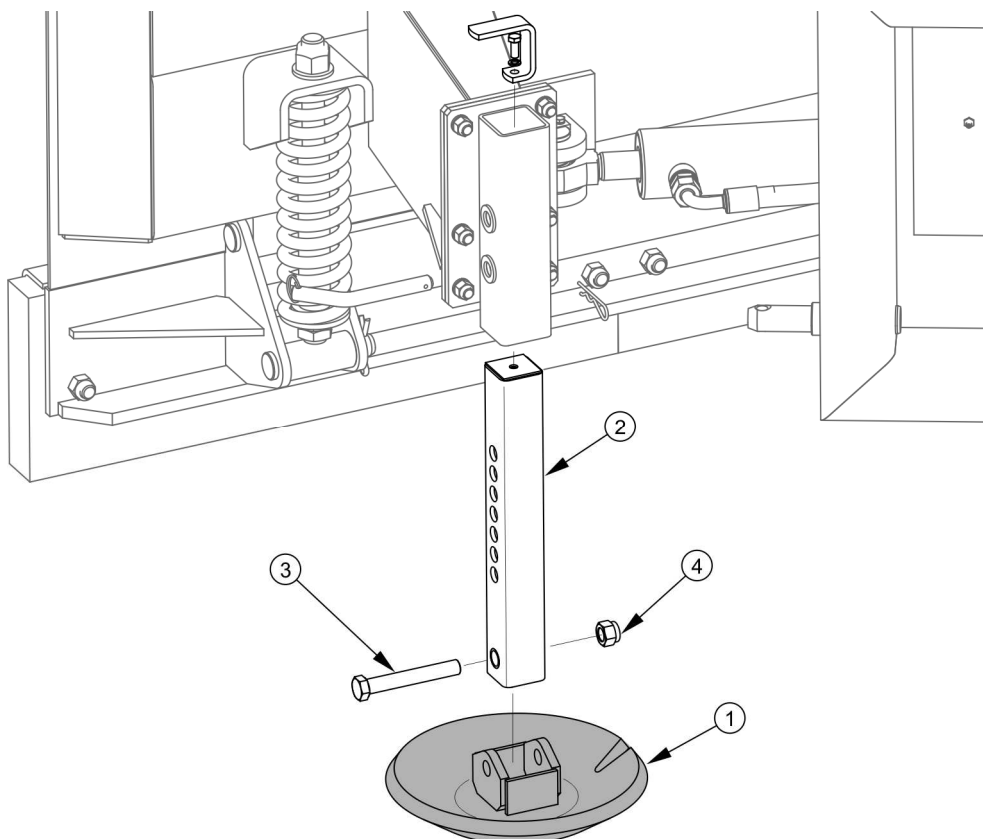


FIG. 5.2 Slide replacement

(1) slide; (2) slider; (3) bolt; (4) nut;

Excessively worn or damaged slides must be replaced - figure (5.2). In order to do this raise the plough and support with sufficiently stable and strong supports. If the plough is hitched

and raised on the front three-point linkage, protect it from falling and immobilise the tractor (turn off the engine and engage the parking brake.) Undo the nut (4), remove fixing bolt (3) of the slide (1) with slider (2). Check the slide and other elements for damage or excessive wear. The list of slide working components including catalogue numbers is shown in table 5.3.

TAB. 5.3 A LIST OF SLIDE COMPONENTS

Marking Figure 5.2	Name / Catalogue No.	Number of items
1	Slide / 126RPN-05.01.00.00	1
2	Slider / 126RPN-05.02.00.00	1
3	Bolt M16x110-8,8 PN-EN ISO 4014	1
4	Self locking nut M16 according to PN-EN 7040	1

5.3 HYDRAULIC SYSTEM OPERATION

The duties of the operator connected with the hydraulic system include:

- checking tightness of cylinders hydraulic connections,
- Checking technical condition of hydraulic connections and quick couplers;



DANGER

Do not repair hydraulic system on your own. All hydraulic system repairs must be performed only by suitably qualified personnel.




ATTENTION!

Before you begin, visually inspect the hydraulic system components.

In a new machine, the hydraulic system is filled with HL32 hydraulic oil. The oil applied because of its composition is not classified as a dangerous substance, however long-term action on the skin or eyes may cause irritation. In the event of contact of oil with skin wash the place of contact with water and soap. Do NOT apply organic solvents (petrol, kerosene). Contaminated clothing should be changed to prevent access of oil to skin. In the event of contact of oil with eye, rinse with large quantity of water and in the event of the occurrence of irritation consult a doctor. Hydraulic oil in normal conditions is not harmful to the respiratory

tract. A hazard only occurs when oil is strongly atomised (oil vapour), or in the case of fire during which toxic compounds may be released.


	<p>DANGER</p> <p>Oil fires should be quenched with carbon dioxide (CO₂), foam or extinguisher steam. Do NOT use water for fire extinguishing.</p>
---	---

TAB. 5.4 HL32 HYDRAULIC OIL CHARACTERISTICS

ITEM	NAME	VALUE
1	ISO 3448VG viscosity classification	32
2	Kinematic viscosity at 40°C	28.8 – 35.2 mm ² /s
3	ISO 6743/99 quality classification	HL
4	DIN 51502 quality classification	HL
5	Flash point, °C	Above 210°C
6	Maximum Operating Temperature, °C	80

Spilt oil should be immediately collected and placed in marked tight container. Used oil should be taken to the appropriate facility dealing with the re-use of this type of waste.

The hydraulic system should be completely tight sealed. Inspect the seals when hydraulic ram cylinders are completely extended. In the event of confirmation of oil on hydraulic ram cylinder bodies ascertain origin of leak. Minimum leaks are permissible with symptoms of "sweating", however in the event of noticing leaks in the form of "droplets" stop using the machine until faults are remedied.

	<p>The condition of hydraulic system should be inspected regularly while using the machine.</p>
---	---

DANGER

Before commencing whatever work on hydraulic system reduce the residual pressure in the system.

During work on hydraulic systems use the appropriate personal protection equipment i.e. protective clothing, footwear, gloves and eye protection. Avoid contact of skin with oil.

In the event of confirmation of an oil leak on hydraulic conduit connections, tighten connections, and if this does not remedy faults then change conduit or connection elements. Change of sub assemblies is equally required in each instance of mechanical damage.

ATTENTION!

The hydraulic system is vented automatically during machine operation.



Hydraulic conduits should be replaced after 4 years of machine use.

5.4 ELECTRICAL SYSTEM MAINTENANCE

Electrical system maintenance involves periodical checking the operation of the clearance lamps system. After connecting the plough to carrying vehicle, connect power lead of the clearance lamps electrical system. Next, place solenoid valve lead and switch in the in tractor operator cab. Insert the solenoid valve supply plug into the cigarette lighter socket. Start the tractor and check if clearance lamps and solenoid valve operate correctly.

In order to replace a clearance lamp bulb, take out lens from flexible housing.

Clearance lamps are equipped with R5W / 12V bulbs.


DANGER

Do not independently repair electrical system, except items described in chapter 5.4 ELECTRICAL SYSTEM MAINTENANCE.

All electrical system repairs must be performed only by suitably qualified personnel.

5.5 LUBRICATION


Machine lubrication should be performed with the aid of a manually or foot operated grease gun, filled with generally available permanent grease. Before commencing lubrication insofar as is possible remove old grease and other contamination. Remove and wipe off excess oil or grease ŁT-43-PN/C-96134 permanent grease is recommended for lubrication.

	<p>DANGER</p> <p>Lubrication may only be performed when plough is lowered, and resting on the ground. Before lubricating, switch off engine, remove key from ignition and engage tractor parking brake.</p>
---	--

TAB. 5.5 LUBRICATION POINTS AND LUBRICATION FREQUENCY

ITEM	NAME	NUMBER OF LUBRICATION POINTS	TYPE OF GREASE	LUBRICATION FREQUENCY
1	Blade main pivot pin	4	permanent grease	50 hours
2	Linkage skid plate	2		20 hours
3	Wheel (option) column bolt	2		50 hours
4	Wheel bearing (option)	2		10 hours
5	Cylinder ram eye	2		50 hours
6	Hydraulic cylinder eye	2		50 hours

Marking description in Item column (table 5.5) conforms with numbering shown on figure (5.3)

	<p>When using the machine the user is obliged to observe lubrication instructions according to attached schedule. Excess lubrication substance causes depositing additional contaminants in places requiring lubrication, therefore it is essential to keep individual machine elements clean.</p>
---	--

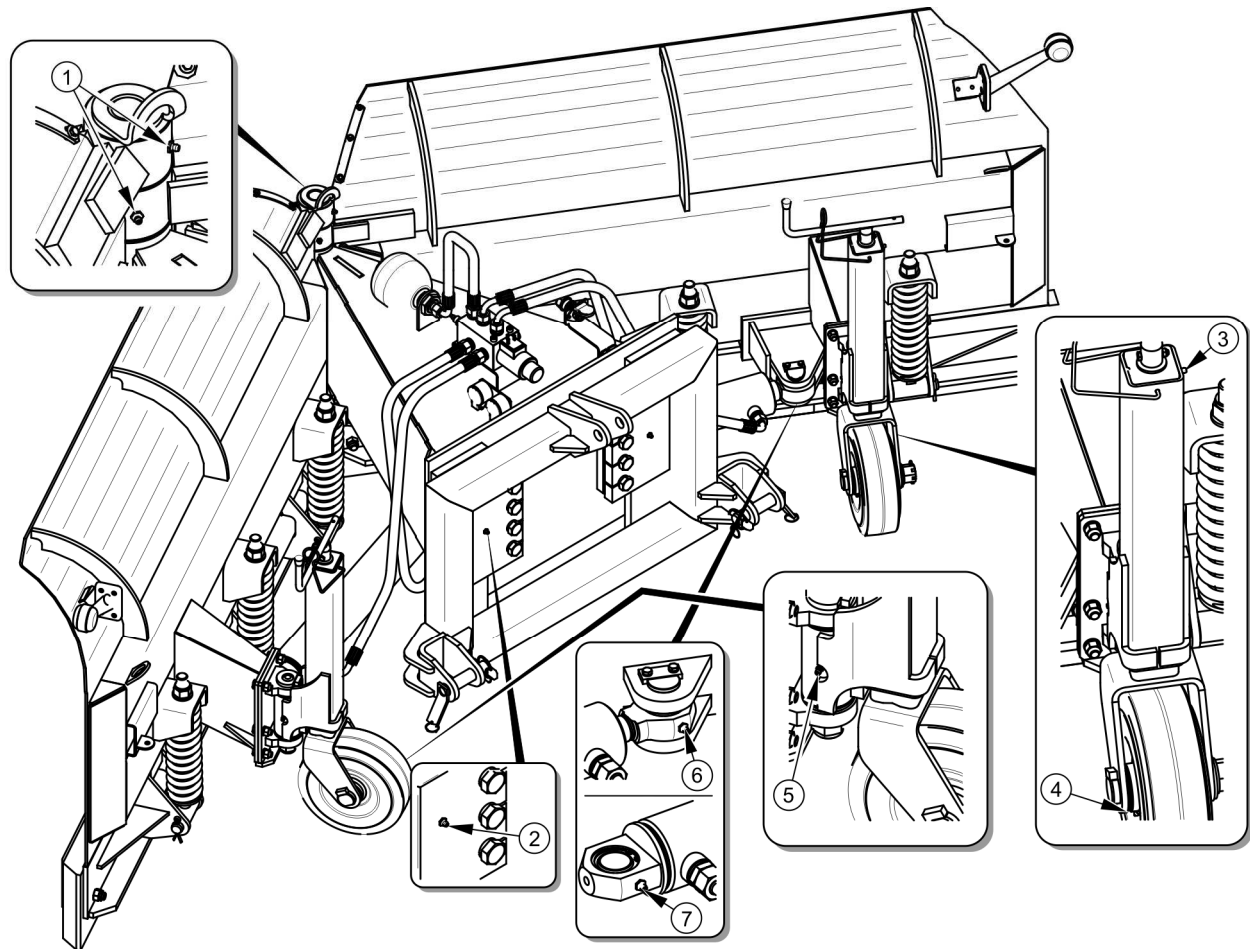


FIG. 5.3 Lubrication points

Lubrication points described in table 5.5

5.6 STORAGE

After finishing work, machine should be thoroughly cleaned and washed with water jet. While washing do not direct a strong water or steam jet at information and warning decals or hydraulic conduits. Nozzle of pressure or steam washer should be kept at a distance of not less than 30 cm from cleaned surface.

After cleaning, inspect the whole machine, inspect technical condition of individual elements. Used or damaged elements should be repaired or replaced.

In the event of damage to the paint coat, clean rust and dust from damaged area, degrease and then paint with undercoat and after it is dry paint with surface coat paint retaining colour uniformity and even thickness of protective coating. Until the time of touch-up painting, the damaged place may be covered with a thin layer of grease or anticorrosion preparation. Machine should be kept in closed or roofed building.

If the machine shall not be used for a long period of time, protect it against adverse weather conditions. Lubricate machine according to the instructions provided. In the event of prolonged work stoppage, it is essential to lubricate all elements regardless of the period of the last lubrication process. Additionally before the winter period apply grease to hitching system pins.

5.7 TIGHTENING TORQUE FOR NUT AND BOLT CONNECTIONS

During maintenance and repairs use appropriate torque for bolt connections (unless other is specified for a particular connection). Recommended tightening torque values apply to non-greased steel bolts –table (5.6).

TAB. 5.6 TIGHTENING TORQUE FOR NUT AND BOLT CONNECTIONS

THREAD DIAMETER [mm]	5.8	8.8	10.9
	TIGHTENING TORQUE [Nm]		
M6	8	10	15
M8	18	25	36
M10	37	49	72
M12	64	85	125
M14	100	135	200
M16	160	210	310
M20	300	425	610
M24	530	730	1 050
M27	820	1 150	1 650



ATTENTION!

Should it be necessary to change individual parts, use only original parts or those indicated by the Manufacturer. Non-adherence to these requirements may put the user and other people's health and life at risk, and also damage the machine.

5.8 TROUBLESHOOTING

TAB. 5.7 TROUBLESHOOTING

TYPE OF FAULT	CAUSE	REMEDY
Blades do not swing as you control the working position	The hydraulic system is not connected	Connect quick couplers to tractor (carrying vehicle) system.
	Damaged hydraulic quick couplers	Check quick couplers for damage, refer repair to service, if necessary
	Tractor hydraulic system unreliable switched off	Check the tractor (carrying vehicle) hydraulic system
When controlling plough setting of just one blade changes	The electrical system not connected to the tractor (carrying vehicle)	Connect electrical system to tractor.
	Hydraulic system valve control switch set in one position	When switched off, just one plough blade can be controlled, when switched on the other blade can be controlled
	Faulty wiring	Repair at authorised service point
	Damaged solenoid valve	Repair at authorised service point
	Burnt fuse in lighter socket plug	Check and replace
Plough scoops snow unevenly	Plough improperly mounted on a carrying vehicle	Check and adjust according to operator's manual
	Slides or wheels (option) incorrectly positioned	Check and adjust according to operator's manual
	Excessively worn or damaged collecting strips	Check and replace if necessary

NOTES

A series of horizontal dotted lines for writing notes.